

*DISCOVER 125ST/T/100T*



*DISCOVER 125ST/T/100T*

**Bajaj Auto Limited**  
Akurdi Pune 411 035 India  
Tel +91 20 27472851  
Fax +91 20 27407385  
[www.bajajauto.com](http://www.bajajauto.com)

# Spare Parts Catalogue



## Notice

---

*PLANO 155T/T/100T*

All information contained in this manual is based on the latest product information at the time of publication. Bajaj Auto Limited accepts no liability for any inaccuracies or omissions in this publication, although every possible care has been taken to make it as complete and accurate as possible. All procedures and specifications subject to change without prior notice. The right is reserved to make such changes at any time without prior notice and without incurring an obligation to make such changes to product manufactured previously. Contact your authorized Bajaj Dealer for the latest information on product improvements incorporated after this manual was issued.

**DOC. NO.: 71111758**

**REV. 04, JAN 14**

Copy rights : All rights reserved. No part of this publicatin may be reproduced, stored in a retrival system, Or transmitted in any form or by any means, electronic mechanical photocopying, recording or otherwise, without the prior written permission of Bajaj Auto LTD.

---



We have pleasure in presenting the Spare Parts Catalogue for 'Discover 125 ST / T / 100T' Motorcycle. This catalogue has been specially designed to assist you in selecting the correct parts for procurement to maintain 100% availability.

The Bajaj spares are subjected to the stringent quality control standards to ensure longer life of the vehicle. It is therefore necessary that only the Genuine Bajaj Spares are used.

In a continual effort to improve Performance and Efficiency of the vehicles, Specifications, Diagrams, Illustrations and Part Numbers can change without notice. Consequently, the description in this Spare Parts Catalogue cannot therefore be final and binding on us.

The modifications / alterations which are carried out after the issue of this catalogue, will be conveyed to you through our Service Circulars. You are requested to make necessary corrections in the Parts Catalogue as per the circulars so as to keep your catalogue up-to-date. This will ensure the appropriate and speedy delivery of the Spare Parts as the order placed will bear the latest part numbers.

In case, if you need any technical assistance contact the concerned Regional Office or write to us on the following address :

## **Bajaj Auto Limited**

### **Service Department**

Akurdi, Pune 411 035 India

Phone : 020-27406557

Fax : 020-27407385

**1. How to Read the Catalogue :** Open the catalogue and from the pictorial index locate the group in which the part you want to find is present. Turn over to the concerned page number (as given by pictorial index). Now find out the figure of the part you wish to order. Write down the part number against that particular figure number from the text.

In case, if you have the part number and you need the other details, the part index can be used. The part index (at the end of the catalogue) will give you the figure and page number of the part you wish to order.

**2. How to Order Spare Parts :** The part number and the description of the part required should be invariably mentioned in the order as per the catalogue text.

The latest part number as conveyed through our service circulars should only appear on the order. In case of ordering painted components, colour shade of the components should be mentioned.

The quantity shown against the part number is the quantity per vehicle for that group so that particular quantity should be multiplied by the number of sets required.

**3. Part Number System :** We have used 8 digit system for part numbers. The model or hardware item is indicated by first two digits or alphanumeric, the next two or four digits indicate main group and the last four or two digits indicate serial number in main group or serial number or subgroup of fastener respectively. Thus the part numbers will be indicated by 2-2-4 or 2-4-2 digit system. Understanding this system will enable you to identify the spare parts easily.

**4. Abbreviations :** The following abbreviations are used in this catalogue.

Assly	Assembly	V	Volts
N.I.	Not illustrated	W	Watts
C'case	Crankcase	Accl.	Accelerator
Cyl	Cylinder	Comp.	Complete
O/s	Over size	Fr.	Front
Rr.	Rear	Std.	Standard
L	Length	A/t.	Alternate
R.H.	Right hand	L.H.	Left hand
Hex.	Hexagonal	AR	As required

## Index

*PIEMONTE 125 ST / T / 100 T*

Plate No.	Description	Page No.
1	Cover Cylinder Head	2
2	Cylinder Head	4
3	Valve	6
4	Camshaft / Tensioner	8
5	Cylinder and Piston	10
6	Crankshaft	12
7	Transmission	14
8	Change Drum / Shift Fork	16
9	Gear Change Mechanism	18
10	Engine Assly / Crankcase RH	20
11	Crankcase LH	22
12	Oil Pump	24
13	Kick Starter Mechanism	26
14	Cover Clutch	28
15	Cover Magneto	30
16	Clutch Assly	32
17	Carburettor (125 ST & T)	34
18	Carburettor (100 T)	36
19	Air Cleaner Complete	38
20	Silencer Assly	40
21	Starter Assly	42
22	Magneto, C.D.I. & H.T. Coil	44
23	Seat Assly / Seat Lock	46
24	Engine Mountings	48
25	Frame and Frame Fitting	50
26	Swing Arm/Rear Shock Absorber (125 ST)	52
27	Swing Arm/Rear Shock Absorber (125T & 100T)	54
28	Rider Foot Rest	56
29	Pillion Foot Rest & Holder	58
30	Mudguard- Front & Rear	60

## Index

*PIEMONTE 125 ST / T / 100 T*

Plate No.	Description	Page No.
31	Stand Assembly	62
32	Tyre/ Tube / Rim	64
33	Front Hub (Disc brake)	66
34	Front Hub (Drum brake)	68
35	Front Master Cylinder (Disc brake)	70
36	Front Disc Brake (Disc brake)	72
37	Rear Hub (125 ST)	74
38	Rear Hub (125 T & 100 T)	76-78
39	Rear Brake Pedal	80
40	Handle Bar Assly	82-84
41	Front Fork	86-88
42	Painted Parts & Decals (125 ST & 100 T)	90-92
43	Painted Parts & Decals (125 T)	94-96
44	Petrol Tank, Cap Tank & Gauge Fuel	98
45	Fittings - Petrol Tank, Side Cover & Cover Seat	100
46	Meter Assly.	102
47	Control Cables	104
48	Chain Case (125 ST)	106
49	Chain Case (125 T & 100T)	108
50	Head Lamp & Fairing	110
51	Indicator Light Assly.	112
52	Tail Lamp Assly. / Front No. Plate	114
53	Electrical Equipments	116
54	Tool Kit	118
55	Accessories / Grab Handle	120
	Kits List	121-126
	Amendment Sheet (Parts Added)	
	Amendment Sheet (Parts Deleted)	
	Part Index	127

PLATE NO. : 1  
COVER CYLINDER HEAD

PAGE NO.  
1



PLATE NO. : 2  
CYLINDER HEAD

PAGE NO.  
3

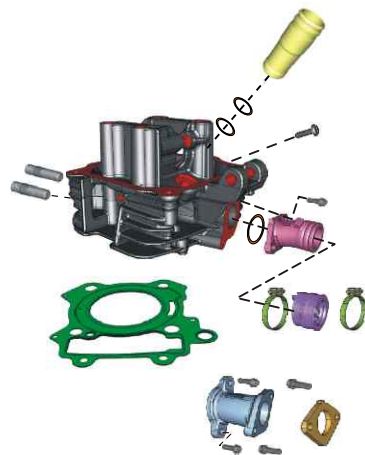


PLATE NO. : 3  
VALVE

PAGE NO.  
5

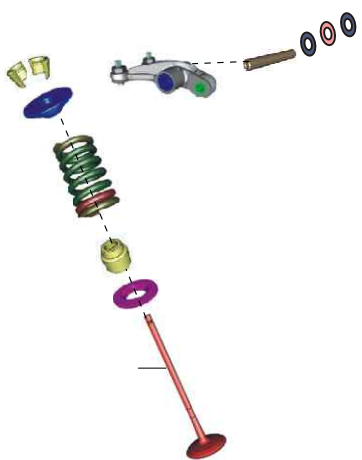


PLATE NO. : 4  
CAMSHAFT / TENSIONER

PAGE NO.  
7



PLATE NO. : 5  
CYLINDER & PISTON

PAGE NO.  
9

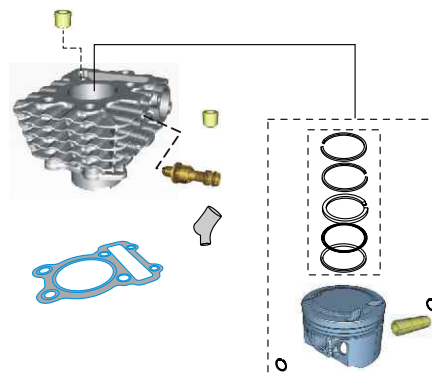


PLATE NO. : 6  
CRANKSHAFT

PAGE NO.  
11

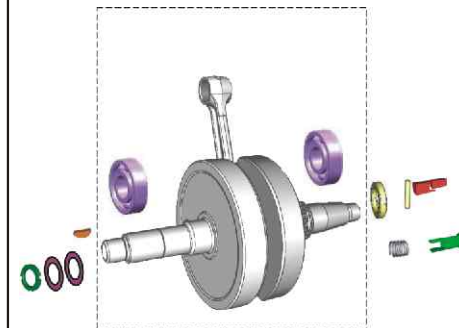


PLATE NO. : 7  
TRANSMISSION

PAGE NO.  
13

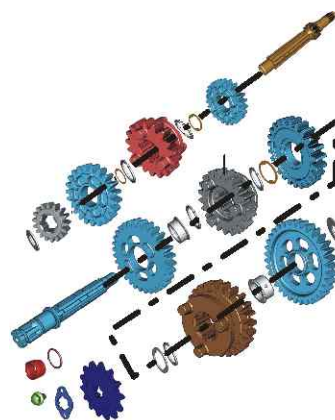
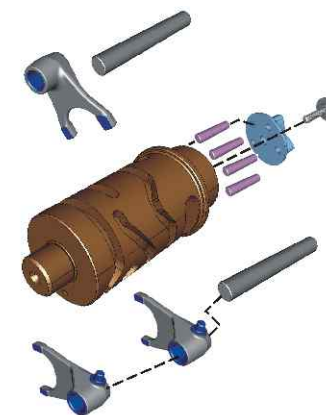


PLATE NO. : 8  
CHANGE DRUM / SHIFT FORK

PAGE NO.  
15



# Pictorial Index

*PIEMONTE 125ST / T / 100T*

PLATE NO. : 9  
GEAR CHANGE MECHANISM

PAGE NO.  
17



PLATE NO. : 10  
ENGINE ASSLY & CRANKCASE RH

PAGE NO.  
19

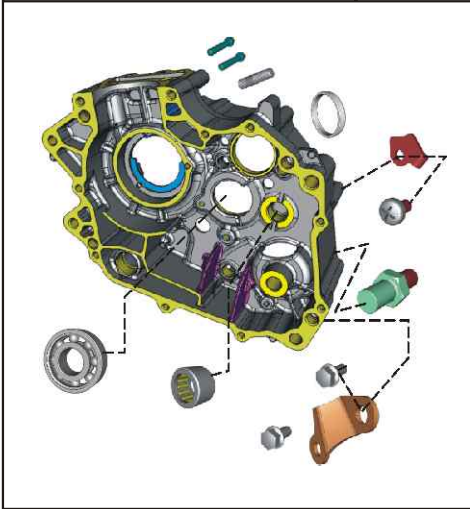


PLATE NO. : 11  
CRANKCASE LH

PAGE NO.  
21

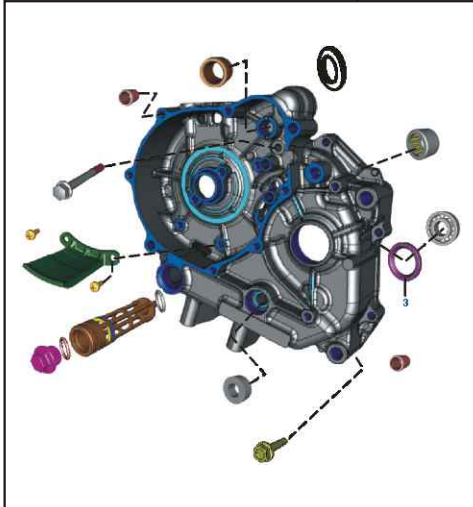
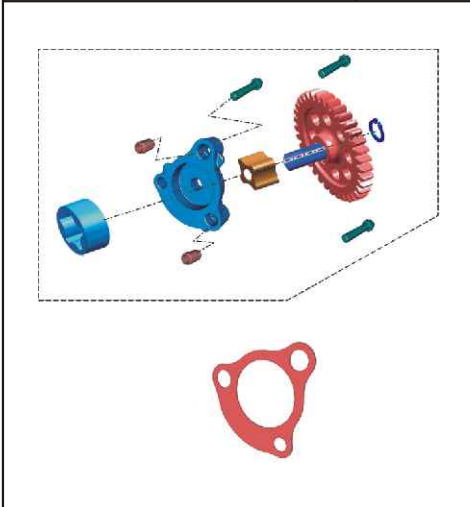


PLATE NO. : 12  
OIL PUMP

PAGE NO.  
23



# Pictorial Index

*PIEMONTE 125ST / T / 100T*

PLATE NO. : 13  
KICK STARTER MECHANISM

PAGE NO.  
25

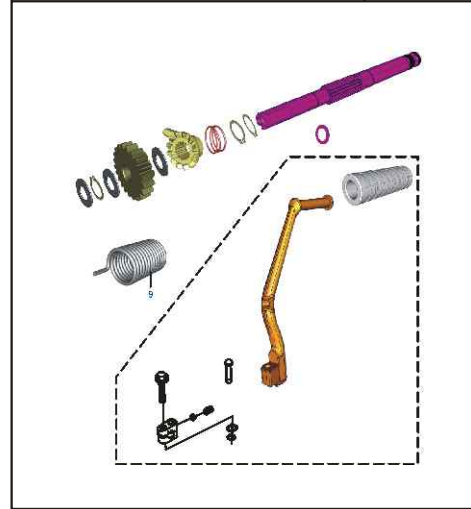


PLATE NO. : 14  
COVER CLUTCH

PAGE NO.  
27

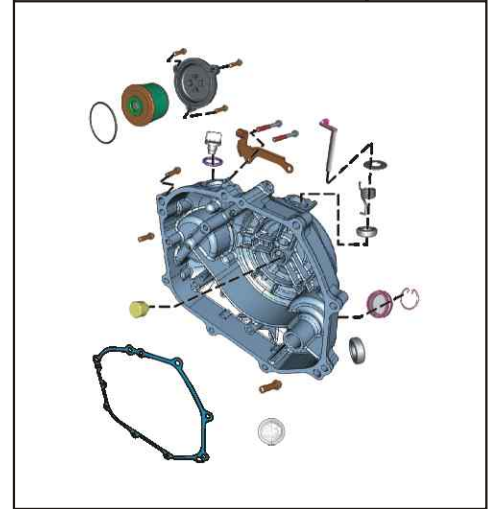


PLATE NO. : 15  
COVER MAGNETO

PAGE NO.  
29

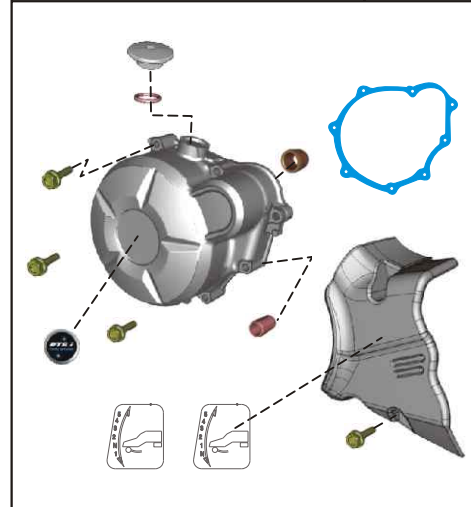
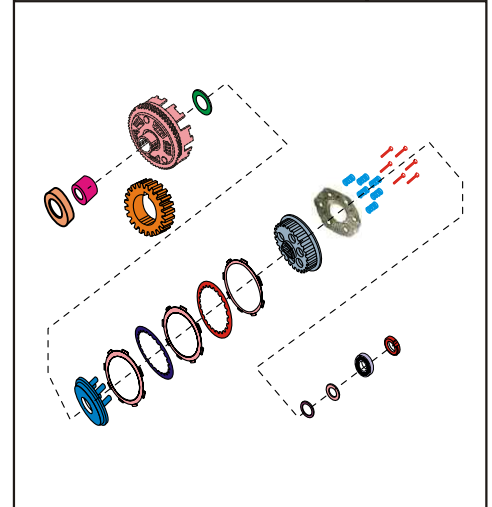


PLATE NO. : 16  
CLUTCH ASSLY

PAGE NO.  
31



# Pictorial Index

*PIAGGIO 125 ST / T / 100 T*

PLATE NO. : 17  
CARBURETTOR (125 ST & T)

PAGE NO.  
33

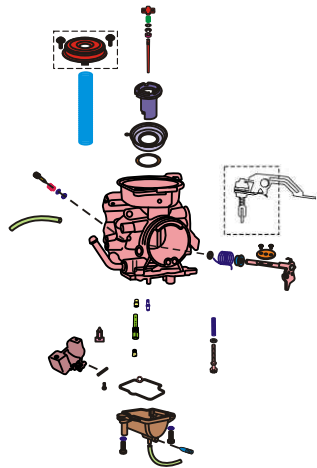


PLATE NO. : 18  
CARBURETTOR (100 T)

PAGE NO.  
35

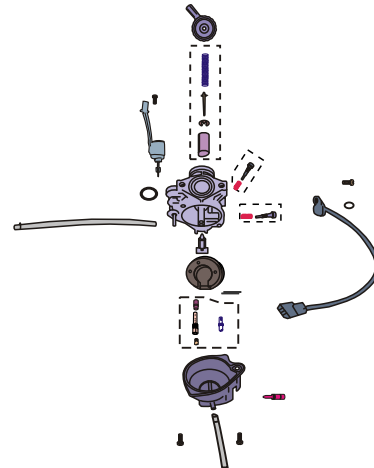


PLATE NO. : 19  
AIR CLEANER COMPLETE

PAGE NO.  
37

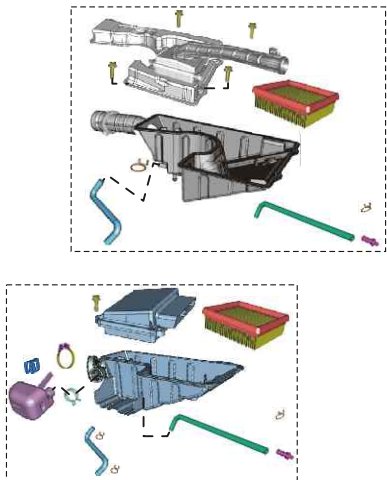
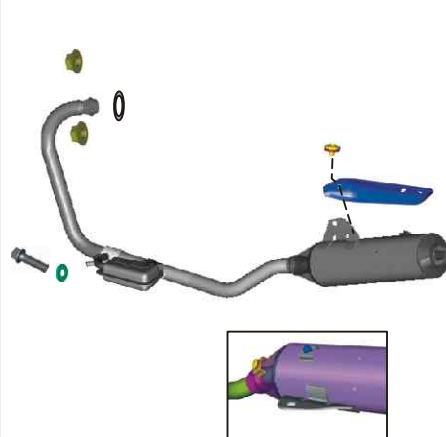


PLATE NO. : 20  
SILENCER ASSLY

PAGE NO.  
39



# Pictorial Index

*PIAGGIO 125 ST / T / 100 T*

PLATE NO. : 21  
STARTER ASSLY

PAGE NO.  
41

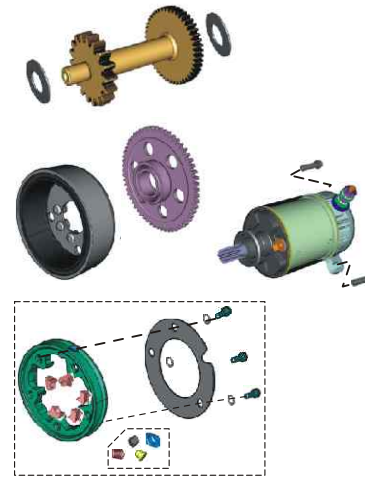


PLATE NO. : 22  
MAGNETO, C.D.I. & H.T. COIL

PAGE NO.  
43

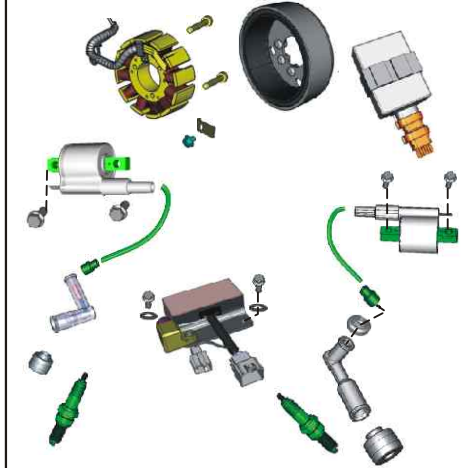


PLATE NO. : 23  
SEAT ASSLY / SEAT LOCK

PAGE NO.  
45

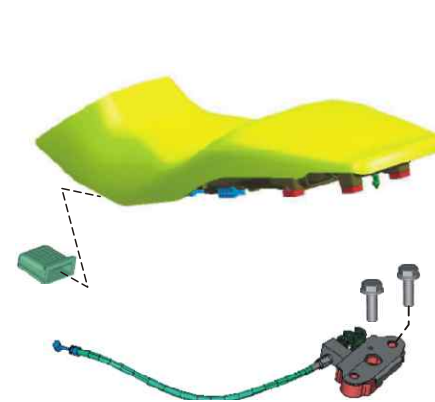


PLATE NO. : 24  
ENGINE MOUNTINGS

PAGE NO.  
47



# Pictorial Index

*PISTON 125 ST / T / 100 T*

PLATE NO. : 25  
FRAME AND FRAME FITTINGS

PAGE NO.  
49

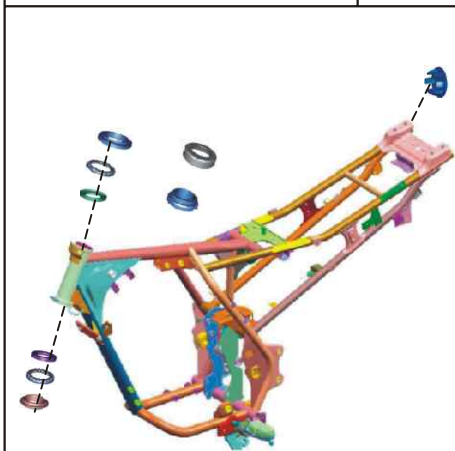


PLATE NO. : 26  
SWING ARM / REAR SHOCK  
ABSORBER (125 ST)

PAGE NO.  
51

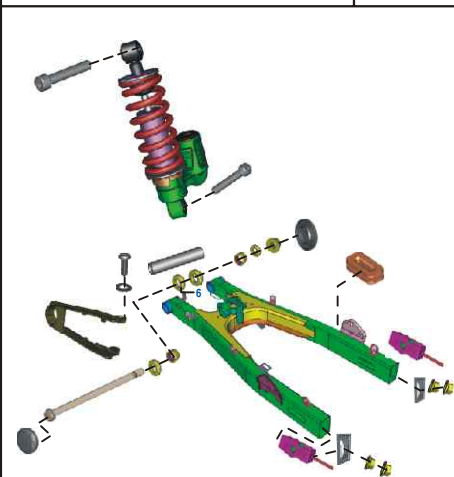


PLATE NO. : 27  
SWING ARM / REAR SHOCK  
ABSORBER (125 T & 100 T)

PAGE NO.  
53

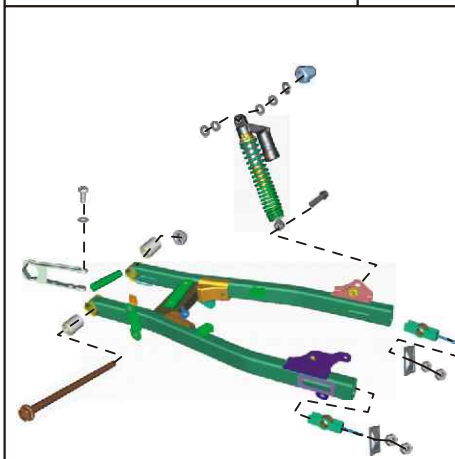
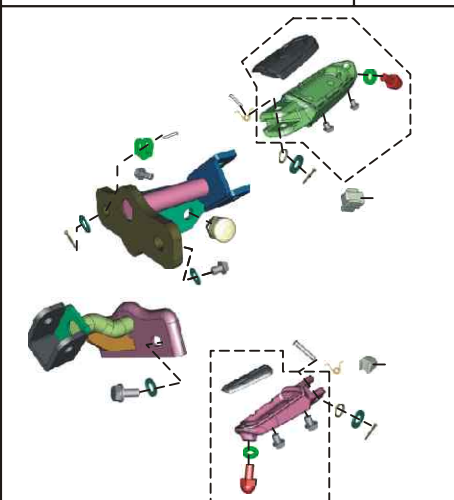


PLATE NO. : 28  
RIDER FOOT REST

PAGE NO.  
55



# Pictorial Index

*PISTON 125 ST / T / 100 T*

PLATE NO. : 29  
PILLION FOOT REST /  
HOLDER STEP

PAGE NO.  
57

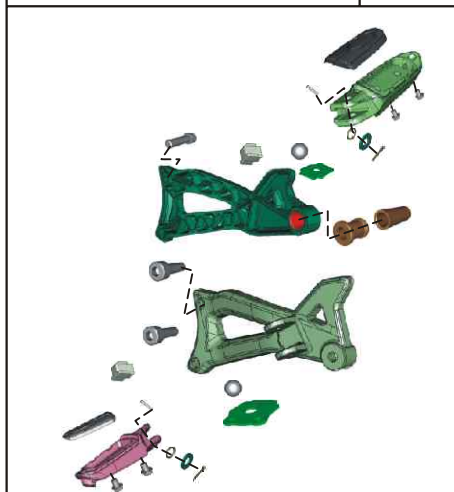


PLATE NO. : 30  
MUDGUARD - FRONT & REAR

PAGE NO.  
59

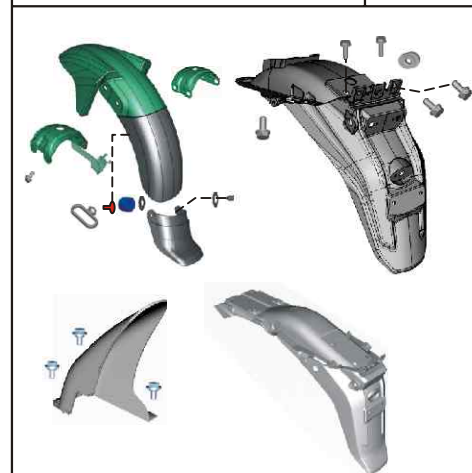


PLATE NO. : 31  
STAND ASSEMBLY

PAGE NO.  
61

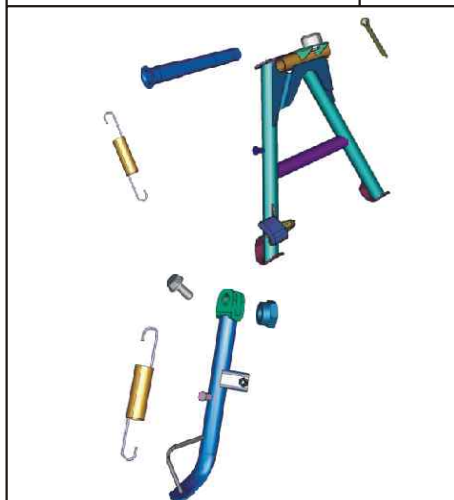
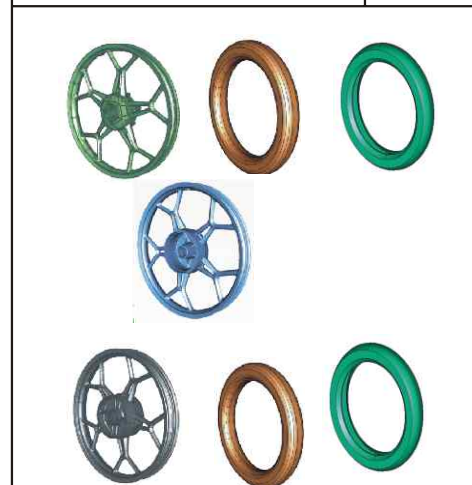


PLATE NO. : 32  
TUBE / TYRE / RIM

PAGE NO.  
63



# Pictorial Index

*PIEMONTE 125 ST / T / 100 T*

PLATE NO. : 33  
FRONT HUB (Disc Brake)

PAGE NO.  
65

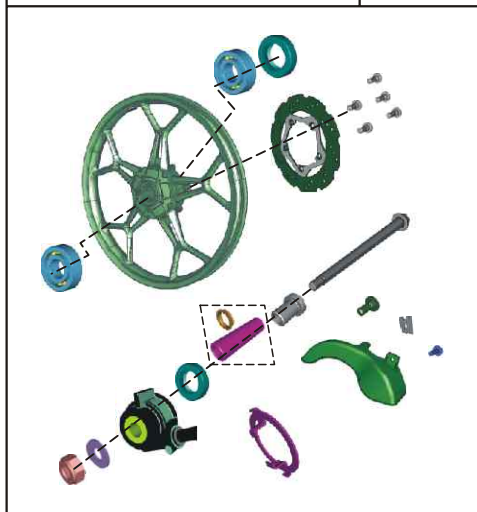


PLATE NO. : 34  
FRONT HUB (Drum Brake)

PAGE NO.  
67

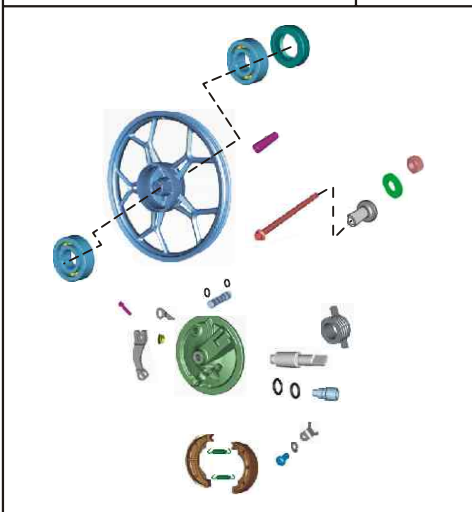


PLATE NO. : 35  
FRONT MASTER CYL (Disc Brake)

PAGE NO.  
69

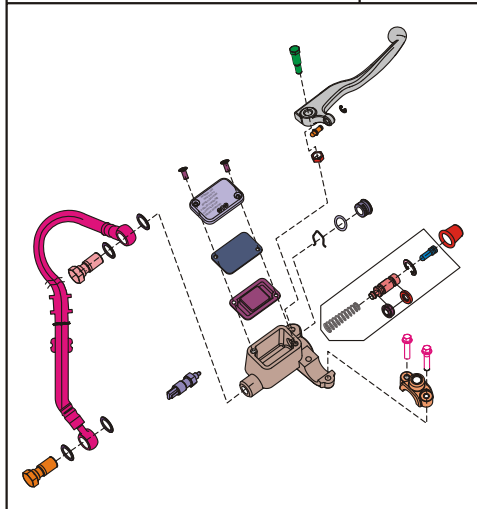
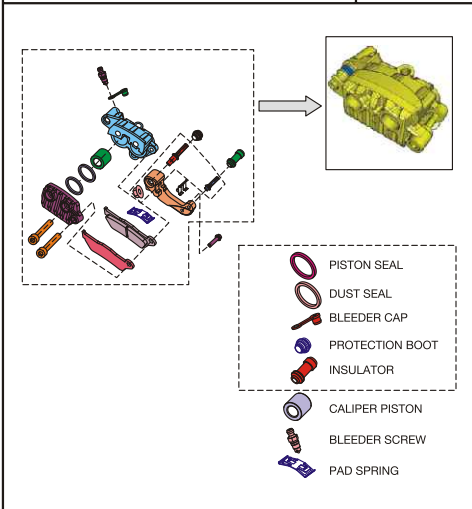


PLATE NO. : 36  
FRONT DISC BRAKE (Disc Brake)

PAGE NO.  
71



# Pictorial Index

*PIEMONTE 125 ST / T / 100 T*

PLATE NO. : 37  
REAR HUB (125 ST)

PAGE NO.  
73

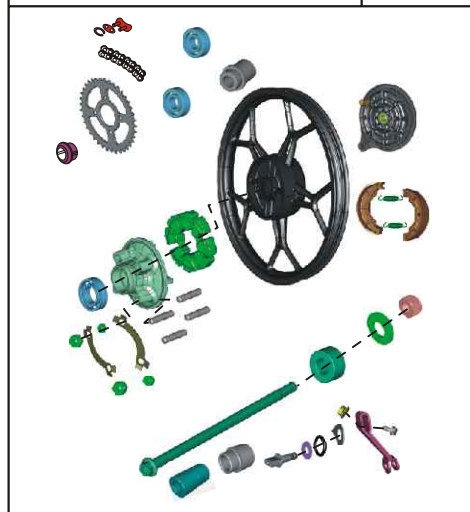


PLATE NO. : 38  
REAR HUB (125 T & 100 T)

PAGE NO.  
75, 77

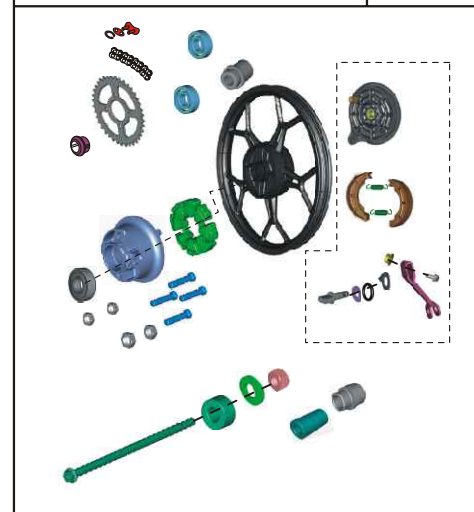


PLATE NO. : 39  
REAR BRAKE PEDAL

PAGE NO.  
79

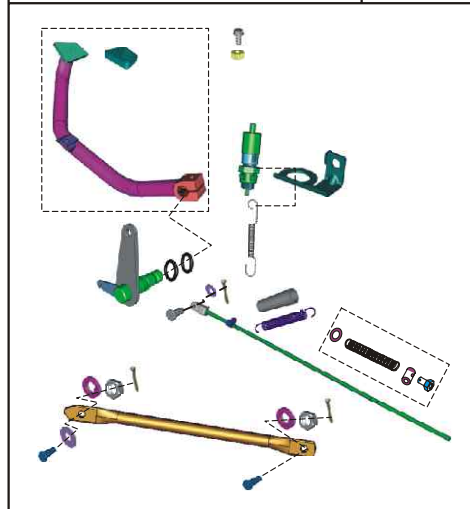
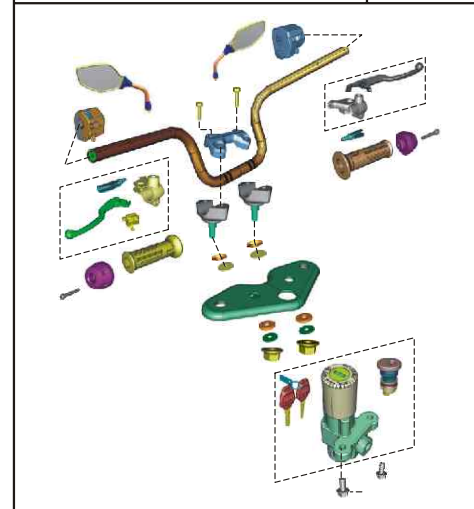


PLATE NO. : 40  
HANDLE BAR ASSEMBLY

PAGE NO.  
81, 83



# Pictorial Index

*DISCOW-125ST/T/100T*

<p>PLATE NO. : 41 FRONT FORK</p>	<p>PAGE NO. 85, 87</p>	<p>PLATE NO. : 42 PAINTED PARTS AND DECALS (125 ST &amp; 100 T)</p>	<p>PAGE NO. 89, 91</p>

<p>PLATE NO. : 43 PAINTED PARTS AND DECALS (125 T)</p>	<p>PAGE NO. 93, 95</p>	<p>PLATE NO. : 44 PETROL TANK, CAP TANK AND GAUGE FUEL</p>	<p>PAGE NO. 97</p>

# Pictorial Index

*DISCOW-125ST/T/100T*

<p>PLATE NO. : 45 FITTINGS - PETROL TANK COVER, SIDE COVERS &amp; COVER SEAT</p>	<p>PAGE NO. 99</p>	<p>PLATE NO. : 46 METER ASSEMBLY</p>	<p>PAGE NO. 101</p>

<p>PLATE NO. : 47 CONTROL CABLES</p>	<p>PAGE NO. 103</p>	<p>PLATE NO. : 48 CHAIN CASE (125 ST)</p>	<p>PAGE NO. 105</p>

# Pictorial Index

*DISCOV-125ST / T/100T*

PLATE NO. : 49  
CHAIN CASE (125 T &100 T)

PAGE NO.  
107



PLATE NO. : 50  
HEAD LAMP & FAIRING

PAGE NO.  
109

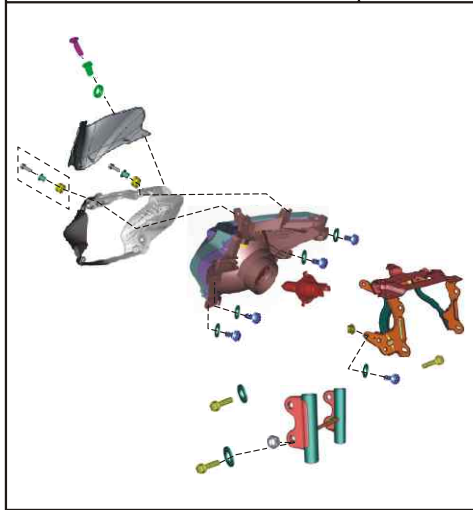


PLATE NO. : 51  
INDICATOR LIGHT ASSEMBLY

PAGE NO.  
111

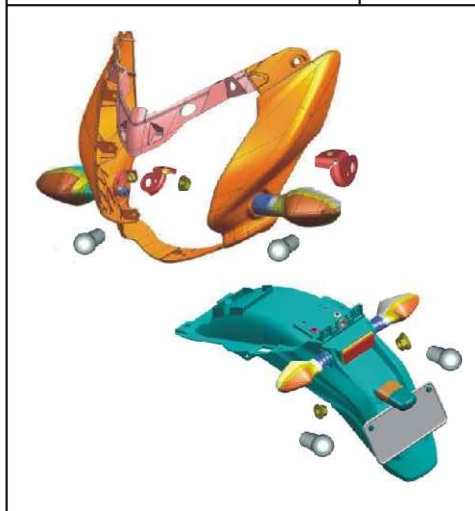
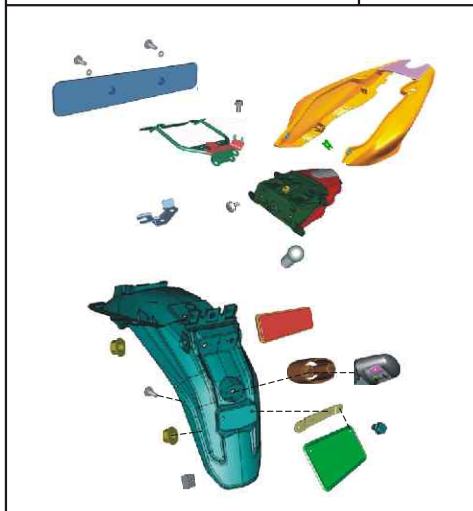


PLATE NO. : 52  
TAIL LAMP ASSLY /  
FRONT NUMBER PLATE

PAGE NO.  
113



# Pictorial Index

*DISCOV-125ST / T/100T*

PLATE NO. : 53  
ELECTRICAL EQUIPMENTS

PAGE NO.  
115

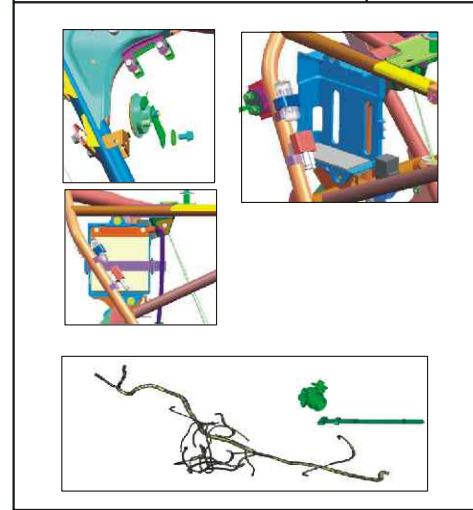


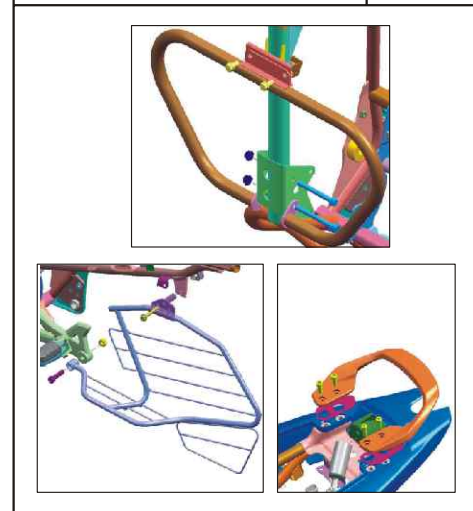
PLATE NO. : 54  
TOOL KIT

PAGE NO.  
117

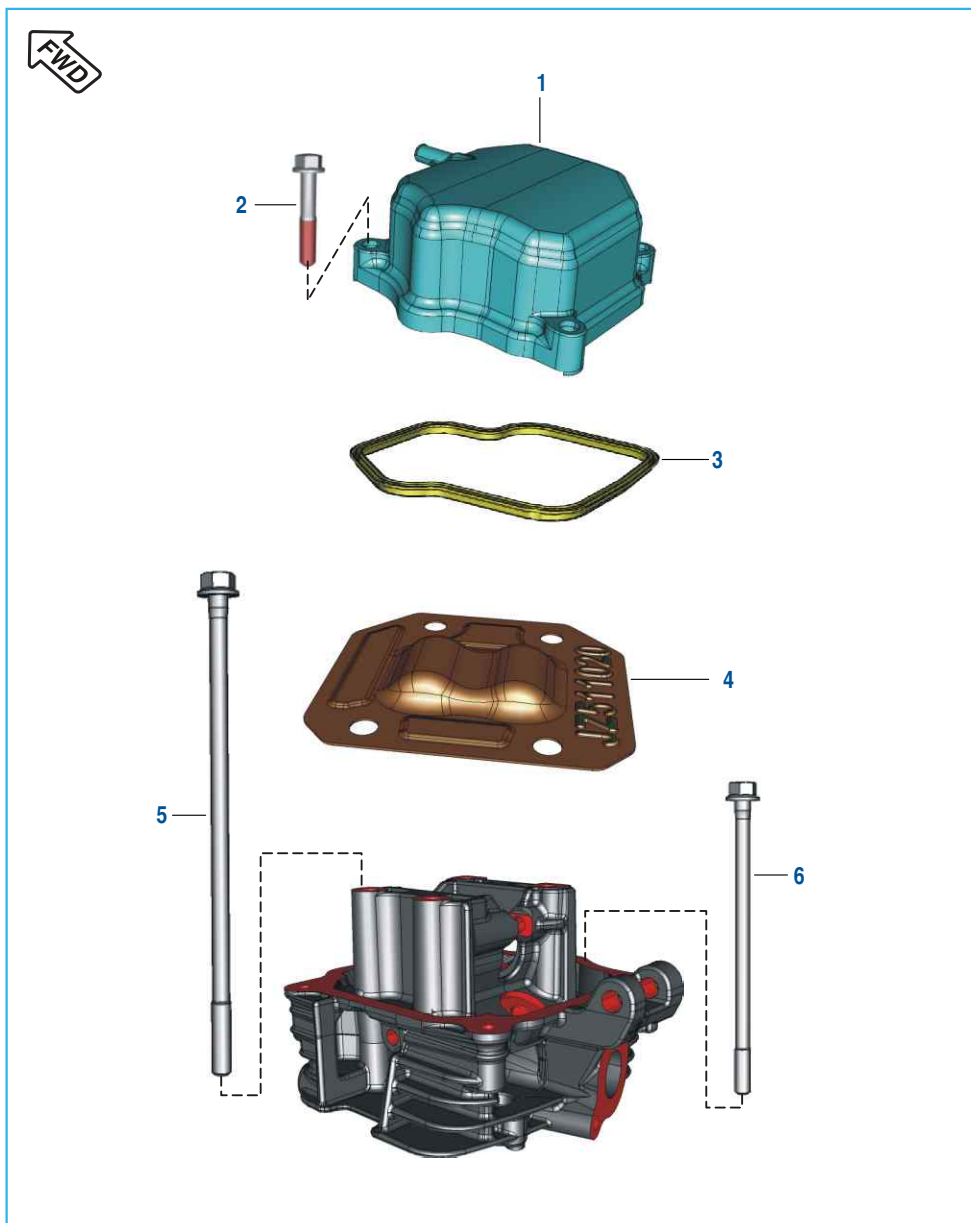


PLATE NO. : 55  
ACCESSORIES / GRAB HANDLE

PAGE NO.  
119

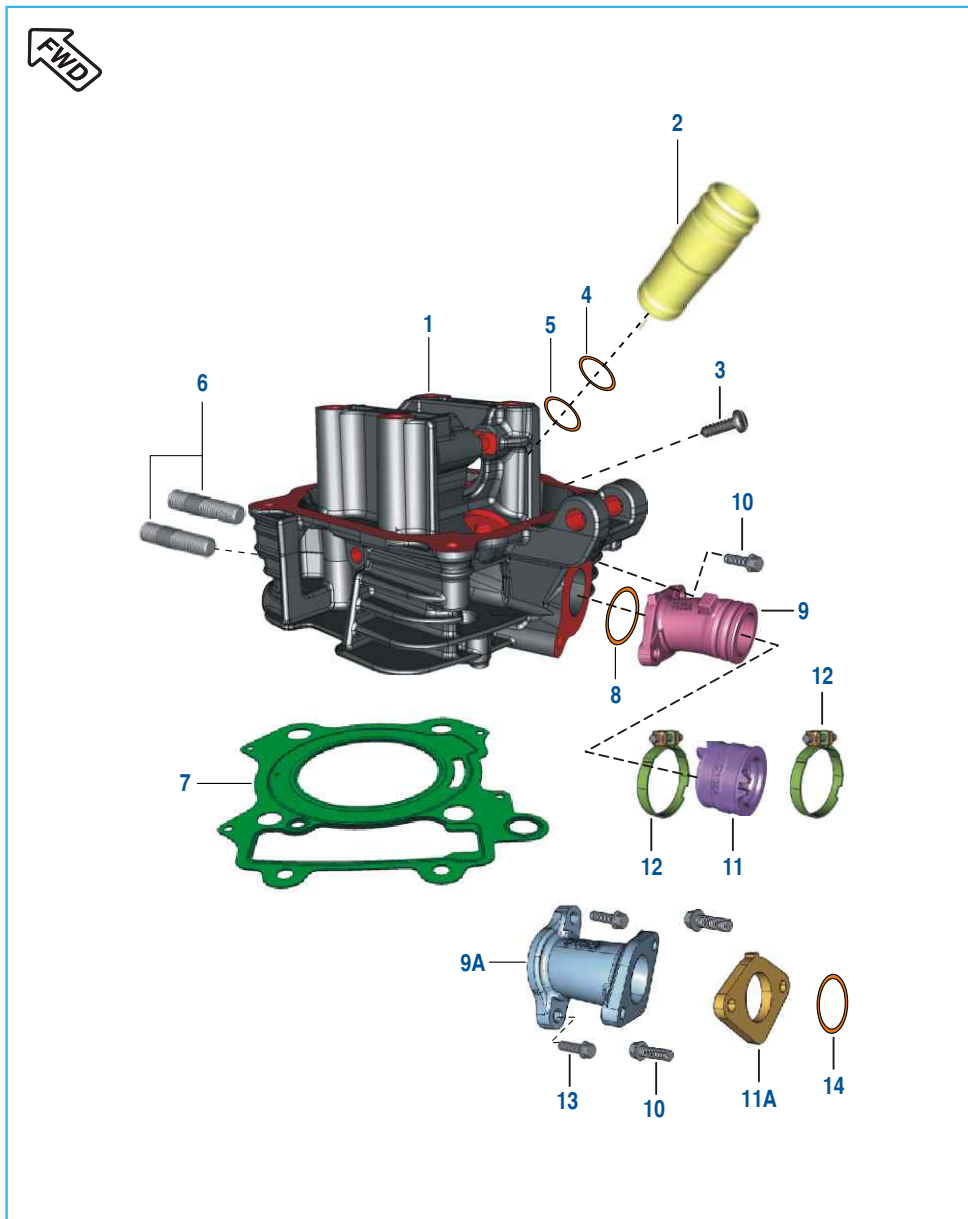


Cover Cylinder Head



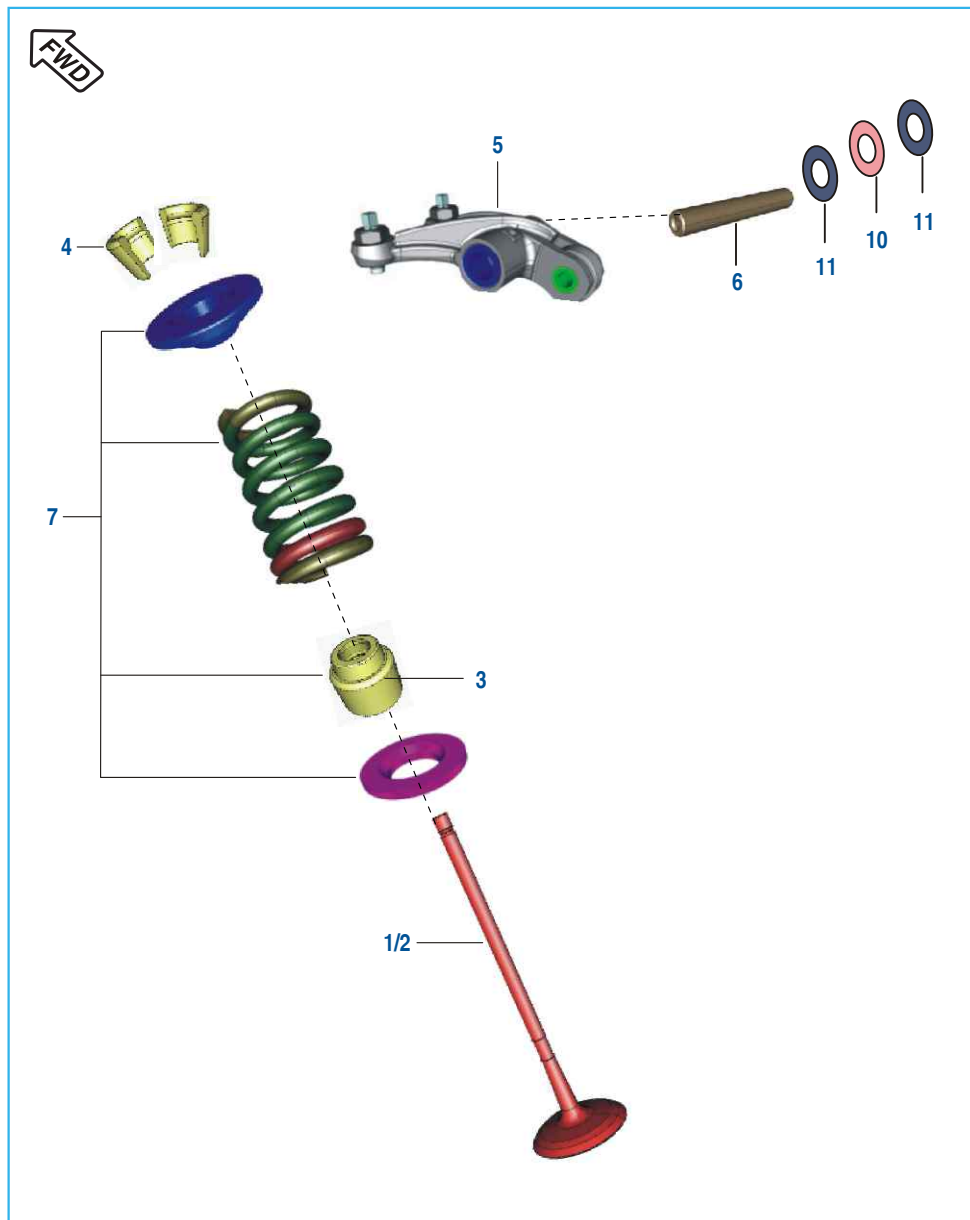
No.	Part No.	Description	Qty.			Remarks
			125 ST	125 T	100 T	
1	JZ 5110 21	Cylinder Head Cover Comp	1	1	1	With Gasket
2	59 0400 38	Bolt	4	4	4	
3	JD 5110 10	Gasket Head Cover	1	1	1	
4	PA 5110 39	Plate Cylinder Head	1	1	1	
5	JA 5110 08	Bolt Head Mounting	4	4	4	
6	59 0400 50	Flanged Bolt M8X1.25X148L	1	1	1	

Cylinder Head



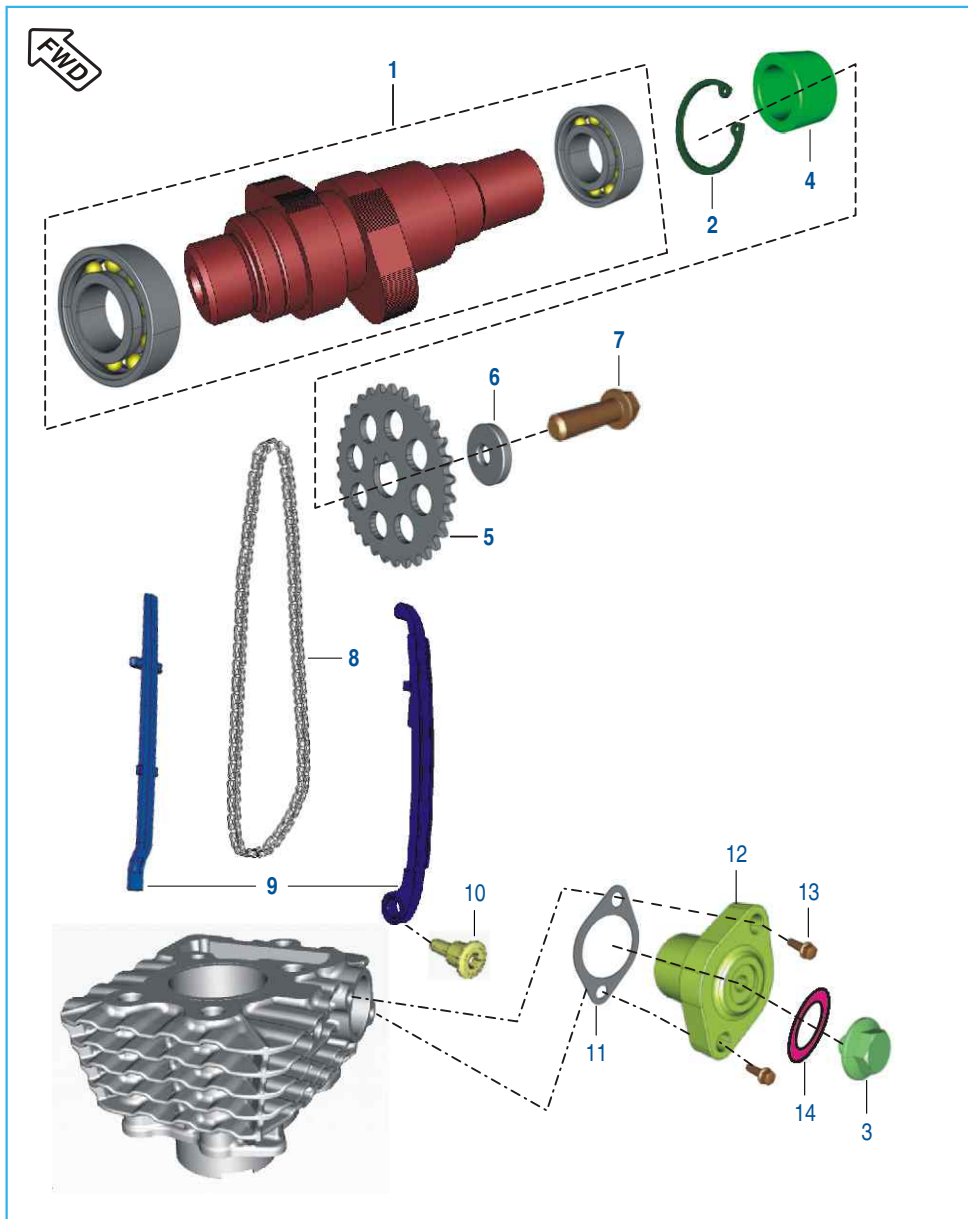
No.	Part No.	Description	Qty.			Remarks
			125 ST	125 T	100 T	
1	36 JZ00 79	Kit Assly Cylinder Head	1	1	--	Refer Page No.121
	36 PA00 96	Kit Assly Cylinder Head	--	--	1	Refer Page No.125
2	JD 5110 04	Sleeve Spark Plug	1	1	--	
	JB 5110 18	Sleeve Spark Plug	--	--	1	
3	39 2608 01	Screw - Grub - M5X0.8X7	1	1	1	
4	39 1283 21	Ring - O	1	1	1	
5	39 2629 21	O-Ring	1	1	1	
6	39 1660 05	Stud - M8	2	2	--	
	JA 5110 28	Stud M8X1.25X451	--	--	2	
7	JD 5110 08	Gasket Cylinder Head	1	1	--	
	JB 5110 19	Gasket Cylinder Head	--	--	1	
8	39 2539 21	Ring - O	1	1	1	
9	JZ 5814 05	Intake Manifold	1	1	--	
9A	PA 5814 03	Manifold PTE 20	--	--	1	
10	JA 5814 06	Bolt Flange M6X1X25L	2	2	4	
11	JZ 5812 29	Sleeve Carburettor	1	--	--	
	JZ 5812 38	Sleeve Carburettor	--	1	--	
11A	PA 5812 05	Insulator	--	--	1	
12	AA 1210 71	Clamp Carburettor	2	2	--	
13	LA D000 11	Bolt Flange M6X1X20L	--	--	2	
14	LJ A000 11	O-Ring	--	--	1	

Valve

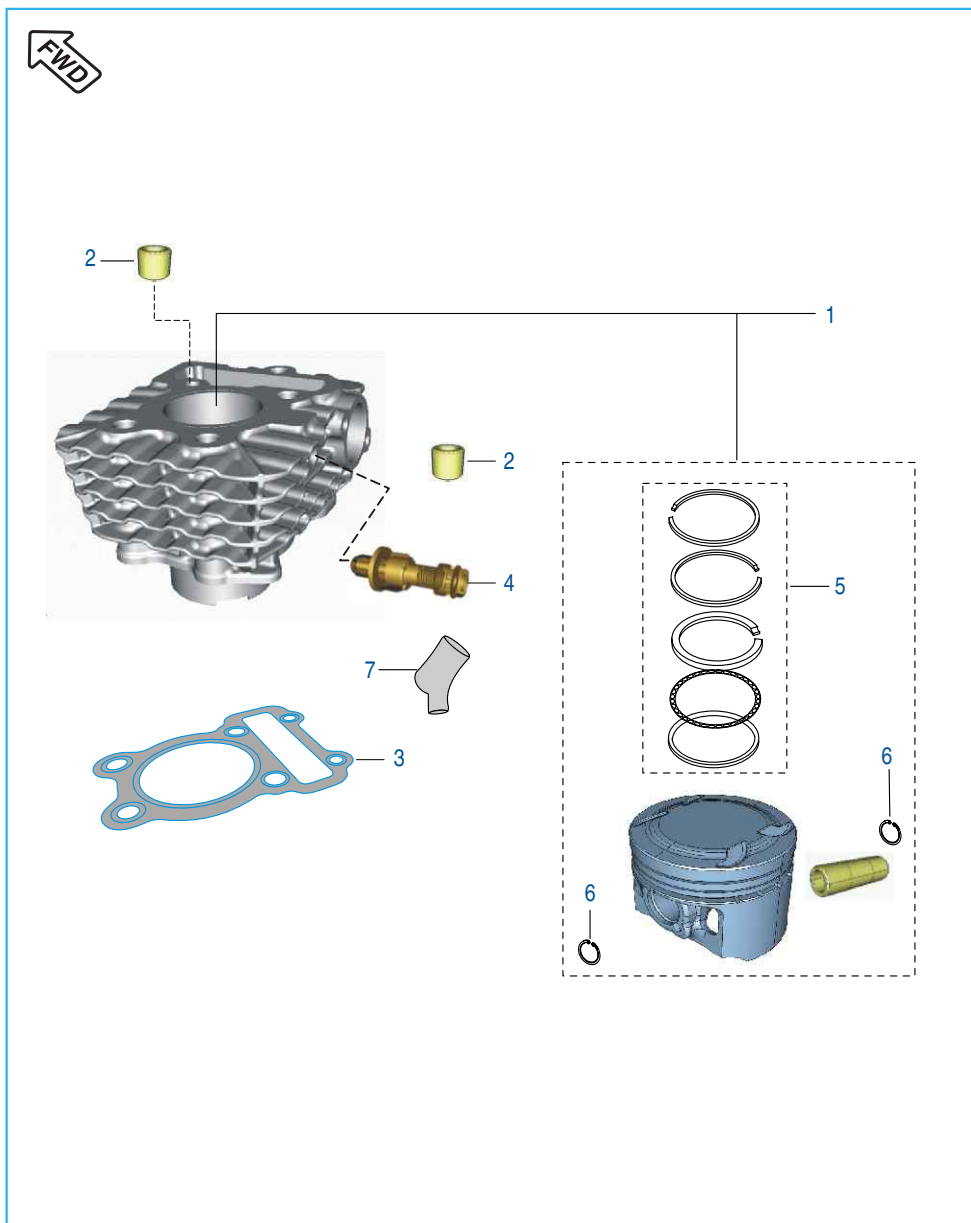


No.	Part No.	Description	Qty.			Remarks
			125 ST	125 T	100 T	
1	JE 5112 00	Valve Intake	2	2	--	
	PA 5112 28	Valve Intake	--	--	2	
2	JE 5112 01	Valve Exhaust	2	2	--	
	PA 5112 29	Valve Exhaust	--	--	2	
3	39 2017 19	Seal - Oil	4	4	4	
4	DG 1010 29	Collet	8	8	8	
5	JE 5112 04	Rocker Arm With Roller	2	2	--	
6	JD 5112 09	Shaft Rocker Arm Intake	2	2	--	
	JA 5112 11	Shaft Rocker Arm Intake	--	--	2	
7	36 JE00 01	Kit Valve Repair	4	4	--	Refer Page No. 121
	36 PA00 94	Kit Valve Repair	--	--	4	Refer Page No. 123
8	PA 5112 32	Assly Rocker Arm Inlet	--	--	1	N.I.
9	PA 5112 34	Assly Rocker Arm Exhaust	--	--	1	N.I.
10	PA 5110 54	Wave Washer	--	--	2	From 24.03.2013
11	PA 5110 55	Plain Washer	--	--	4	From 24.03.2013

Camshaft / Tensioner



No.	Part No.	Description	Qty.			Remarks
			125 ST	125 T	100 T	
1	JE 5112 06	Camshaft Complete	1	1	--	
	PA 5112 15	Camshaft Assly	--	--	1	
2	39 0594 17	Circlip	1	1	1	
3	JA 5210 18	Bolt	1	1	1	
4	JA 5112 16	Spacer Cam Sprocket (3.3)	1	1	1	
5	DS 1012 76	Sprocket - Cam shaft (3.3)	1	1	1	
6	DH 1010 48	Washer- Special: Camshaft	1	1	1	
7	59 0400 31	Bolt	1	1	1	
8	DS 1099 05	Cam Chain (3.3)	1	--	1	
	JE 5112 30	Cam Chain (Straight)	--	1	--	
9	36 JZ00 81	Kit Chain Guide (3.3)	1	--	1	Refer Page No. 124
	36 PA01 15	Kit Chain Guide (Straight)	--	1	--	Refer Page No. 126
10	DH 1013 92	Tensioner Pivot Bolt	1	1	1	
11	CS 1011 28	Gasket	1	1	1	
12	JA 5210 17	Chain Tensioner (Black)	1	1	--	
	JE 5210 16	Chain Tensioner	--	--	1	
13	JA 5210 19	Bolt	2	2	2	
14	39 2669 21	Ring - 'O' (ID 10.15X1.5)	1	1	1	



 Front Wheel Direction

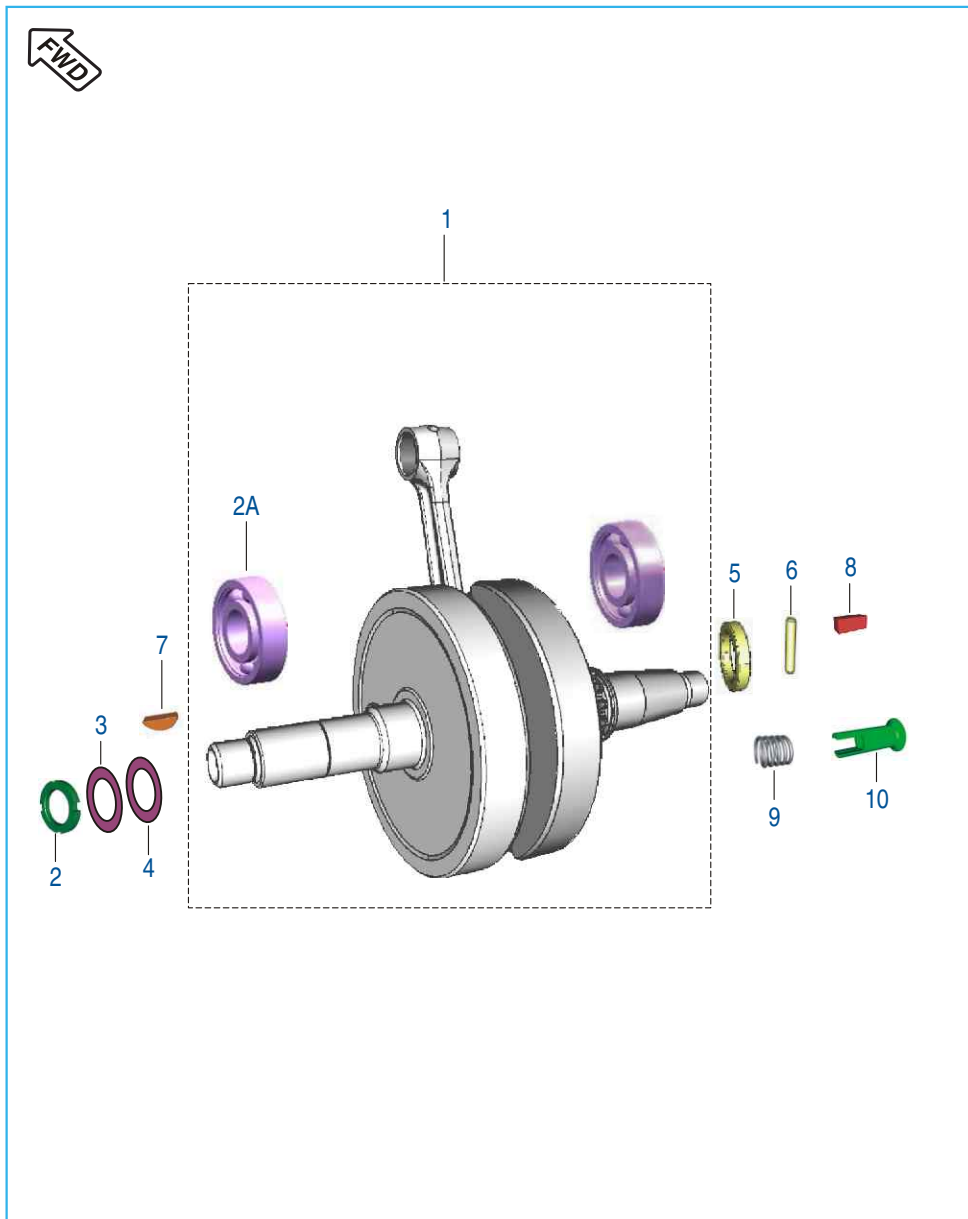
Plate No.: 5

Cylinder and Piston

No.	Part No.	Description	Qty.			Remarks
			125 ST	125 T	100 T	
1	36 JZ00 74	Kit Block Piston	1	1	--	Refer page no. 121
	36 PA00 93	Kit Block Piston	--	--	1	Refer page no. 124
2	39 1000 06	Pin - Hollow Dowel	2	2	2	
3	JD 5210 02	Gasket Cylinder Block	1	1	1	
4	JW 3514 00	Thermal Sensor	1	1	1	
5	36 JE00 02	Kit Piston Ring	1	1	--	Refer page no. 122
	36 PA00 03	Kit Piston Ring	--	--	1	Refer page no. 124
6	DP 1011 65	Ring Snap	2	2	--	
	PA 5212 14	Circlip Piston	--	--	2	
7	JB 4022 02	Grommet - Thermal sensor	1	1	1	

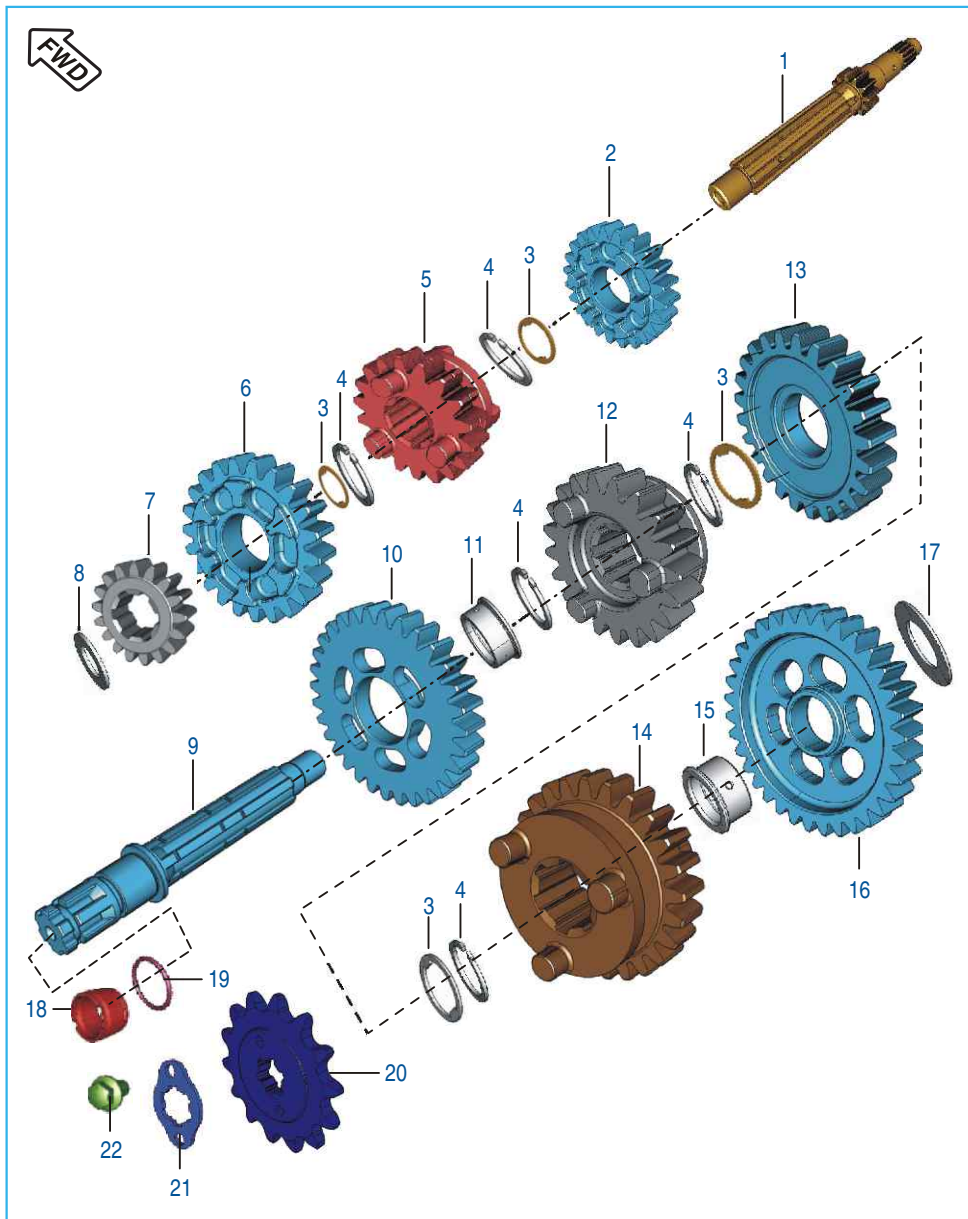
Brand ID: 001MC649 (DISCOVER 125 ST)  
 Brand ID: 001MC661 (DISCOVER 125 T)  
 Brand ID: 001MC639 (DISCOVER 100 T)

Crankshaft



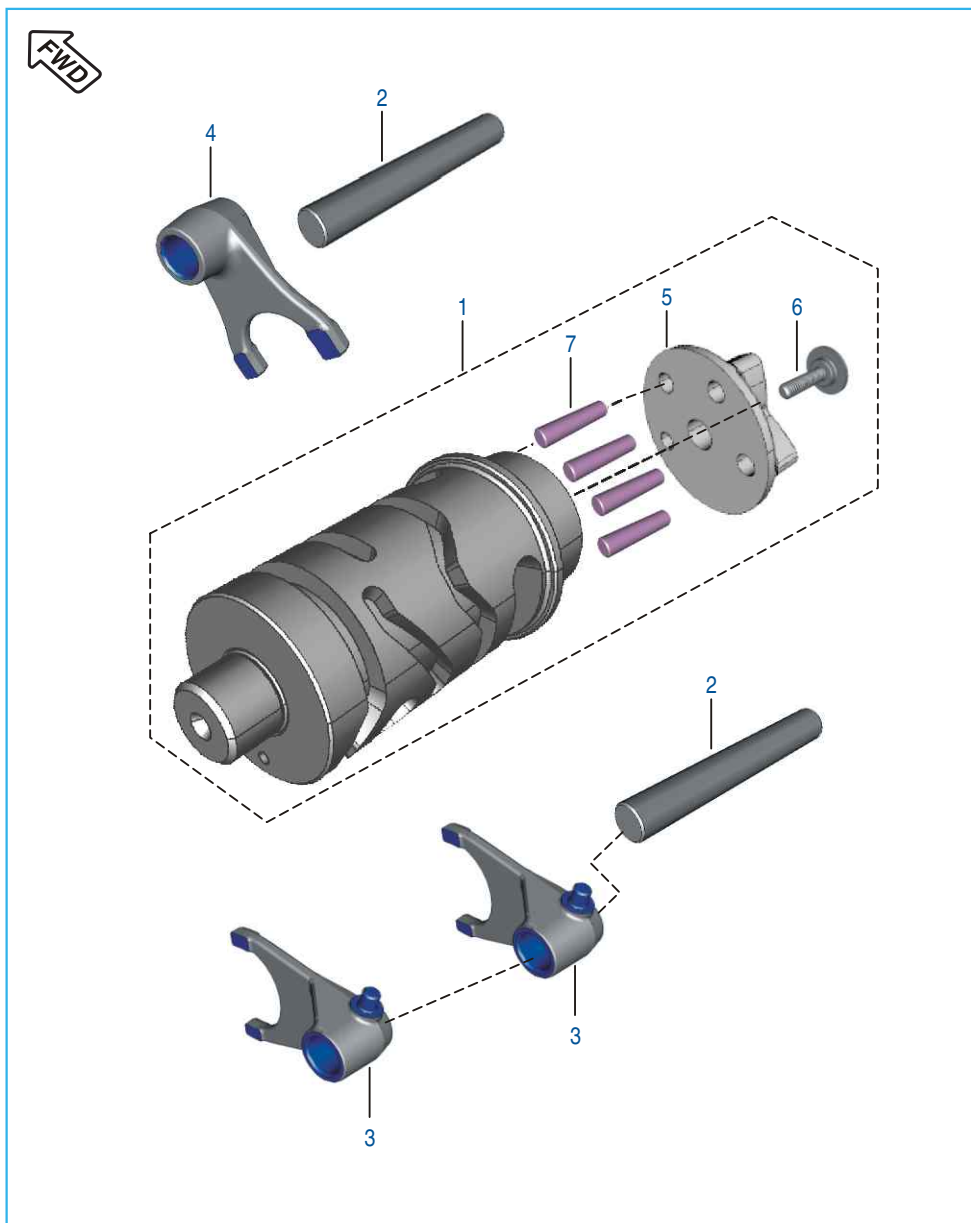
No.	Part No.	Description	Qty.			Remarks
			125 ST	125 T	100 T	
1	JE 5310 08	Crankshaft Assembly (3.3)	1	1	-	
	PA 5310 21	Crankshaft Assembly	--	--	1	
2	59 1500 14	Nut Flange	2	2	2	
2A	JE 5310 01	Bearing Ball	1	1	--	
2A	39 1864 20	Bearing Ball	--	--	1	
3	59 1200 03	Washer Belleville	2	2	2	
4	59 1100 08	Washer	1	1	1	
5	JD 5310 04	Spacer Crank Shaft	1	1	1	
6	JA 5310 15	Pin(C/S Plunger)	1	1	1	
7	31 1011 73	Key -Woodruff	1	1	1	
8	DS 1011 54	Key	1	1	1	
9	JA 5310 12	Spring	1	1	1	
10	JB 5310 21	Plunger Oil Crankshaft	1	1	1	

Transmission

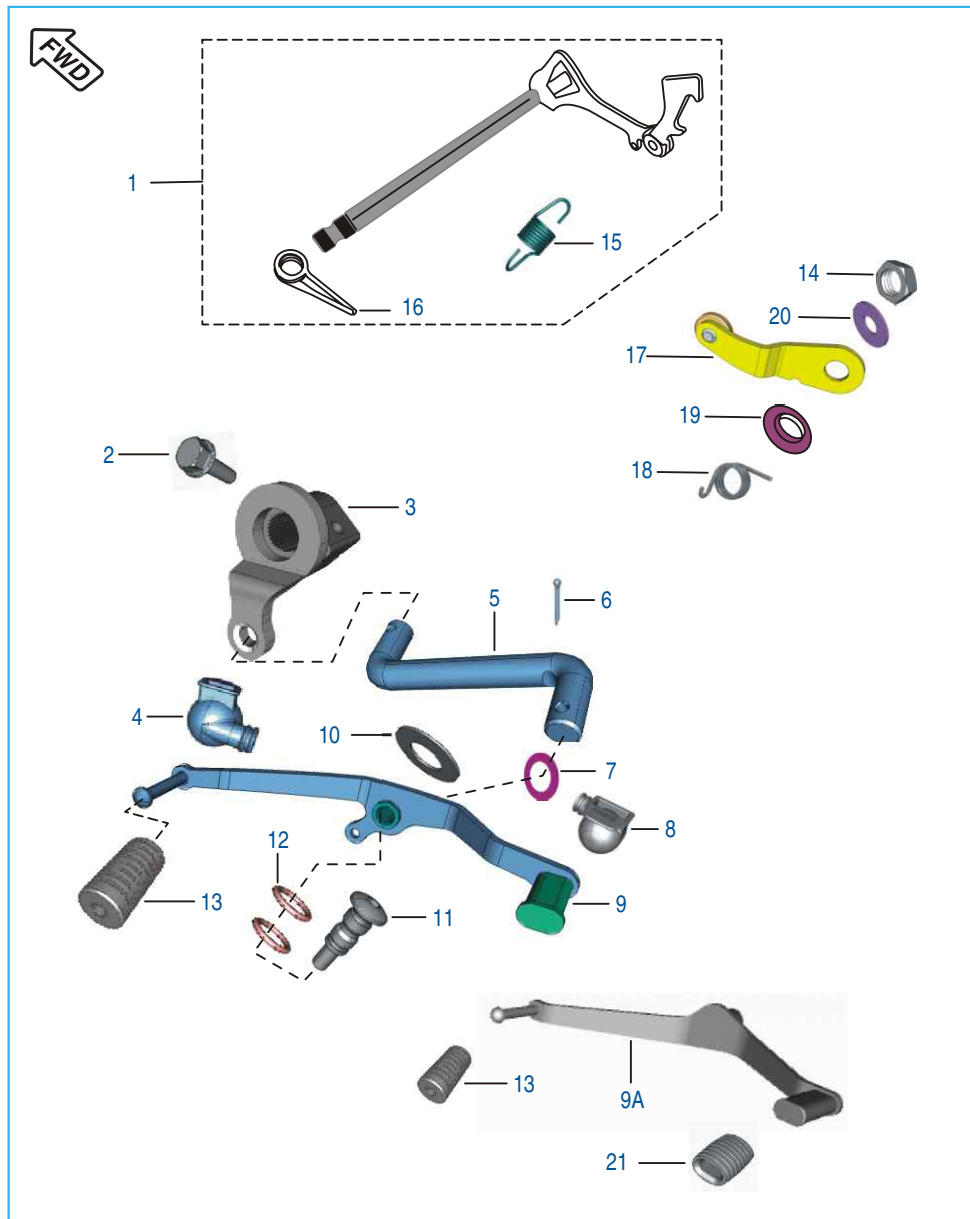


No.	Part No.	Description	Qty.			Remarks
			125 ST	125 T	100 T	
1	JZ 5510 10	Shaft Input W/O Gun Hole	1	1	1	
2	JZ 5512 02	Gear 4th Drive	1	1	1	
3	JA 5510 02	Spline Washer	4	4	4	
4	39 0987 17	Ring - Snap	5	5	5	
5	JE 5512 09	Gear 3rd Drive	1	1	1	
6	JZ 5512 13	Gear 5th Drive	1	1	1	Forging Route
7	JZ 5512 00	Gear 2nd Drive	1	1	1	
8	JA 5510 04	Washer Thrust 2nd Drive	1	1	1	
9	JZ 5510 08	Shaft Output Forging Route	1	1	1	
10	JZ 5512 06	Gear 2nd Driven	1	1	1	
11	JZ 5512 10	Bush 2nd Driven	1	1	1	
12	JZ 5512 11	Gear 5th Driven	1	1	1	Forging Route
13	JE 551210	Gear 3rd Driven	1	1	1	
14	JZ 551208	Gear 4th Driven	1	1	1	
15	JZ 5512 05	Bush 1st Driven	1	1	1	
16	JZ 5512 04	Gear 1st Driven	1	1	1	
17	JA 5510 08	Washer Thrust	1	1	1	
18	JA 5510 09	Collar Sprocket Drive	1	1	1	
19	59 2100 24	'O' Ring	1	1	1	
20	JZ 5510 04	Sprocket Output	1	1	1	
21	DU 1012 13	Plate Lock-sprocket output	1	1	1	
22	39 1981 04	Bolt Flanged	2	2	2	

Change Drum / Shift Fork



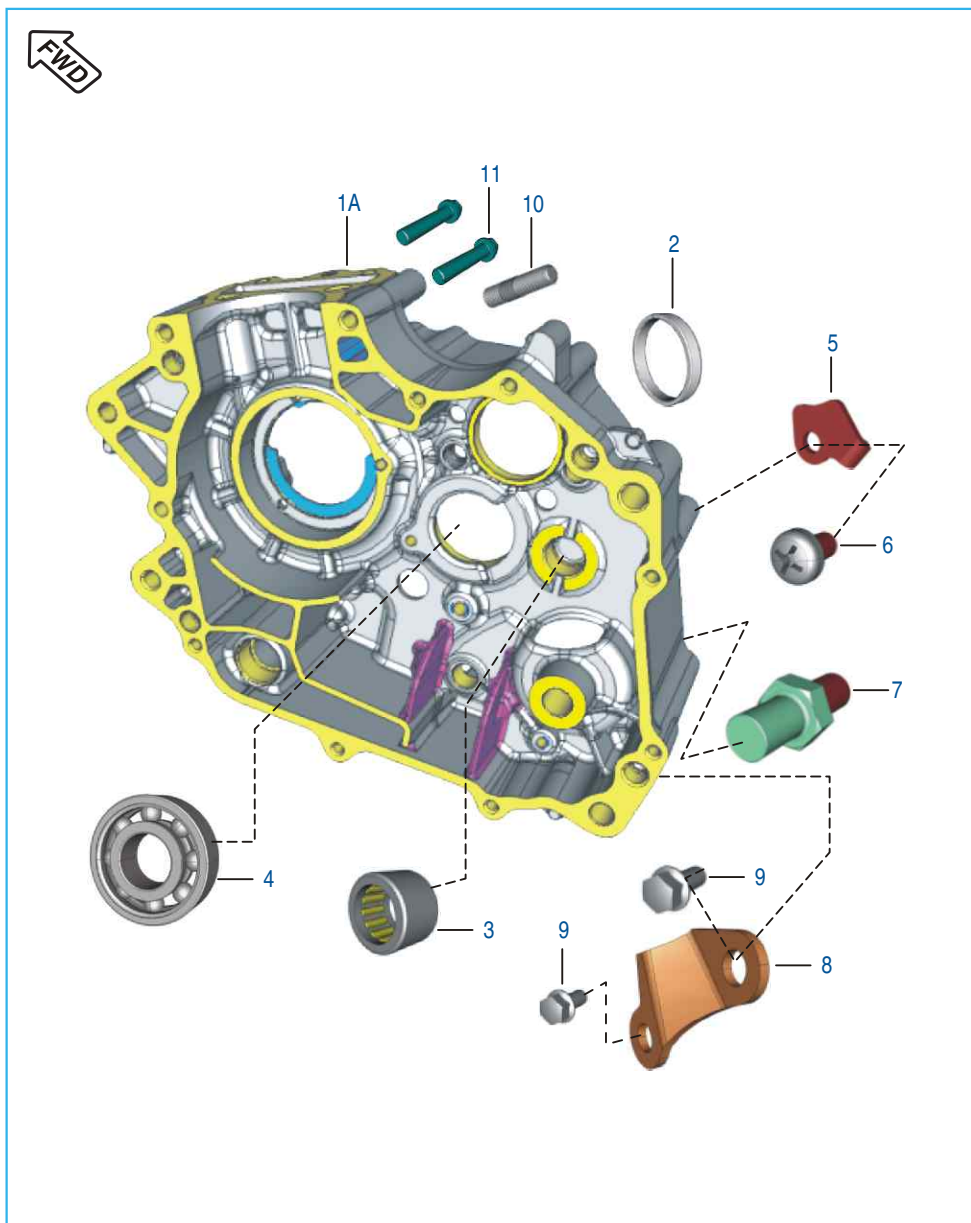
No.	Part No.	Description	Qty.			Remarks
			125 ST	125 T	100 T	
1	JE 5610 03	Drum Comp Gear Shift	1	--	--	
	PA 5610 02	Drum Comp Gear Shift	--	1	1	
2	JD 5610 06	Shaft Gear Fork Shift	2	2	2	
3	JD 5610 04	Fork Gear Shift Output	2	2	2	
4	JZ 5610 02	Fork Input Disco-H	1	1	1	
5	JD 5610 02	Cam Drum Change	1	1	1	
6	JD 5610 11	Special bolt	1	1	1	
7	39 0992 06	Dowl	4	4	4	



 Front Wheel Direction

### Gear Change Mechanism

No.	Part No.	Description	Qty.			Remarks
			125 ST	125 T	100 T	
1	52 JZ02 64	Lever Comp Gear Shift	1	1	1	
2	39 2453 04	Bolt - Flange :- M6	1	--	1	
3	JZ 5612 01	Lever Change Arm	1	--	--	
4	JZ 5614 07	Boot Gear Change Arm	1	--	--	
5	JZ 5614 04	Tie Rod	1	--	--	
6	39 0808 08	Pin	2	--	--	
7	JD 5614 16	Washer Nylon	2	--	--	
8	JZ 5614 05	Boot Change Lever	1	--	--	
9	JZ 5614 02	Lever Complete Change	1	--	--	With Damper
9A	PA 5614 02	Gear Shift Lever	--	1	1	Without Damper
10	JL 5614 10	Washer Plain	1	--	--	
11	JL 5614 09	Bolt	1	--	--	
12	01 1009 05	'O' Ring	2	--	--	
13	DH 1015 09	Damper	1	1	1	
14	39 0817 15	Nut - Hexagon	1	1	1	With Flange : M6
15	JW 5612 06	Extension Spring	1	1	1	
16	JW 5612 08	Spring Gear Shift Return	1	1	1	
17	JD 5612 03	Inhibitor Comp. Gear Shift	1	1	1	
18	JD 5612 04	Spring (Inhibitor)	1	1	1	
19	JA 5612 09	Step Washer	1	1	1	
20	39 2704 11	Washer (Spring Steel)	1	1	1	
21	DG 1013 39	Damper	--	1	1	

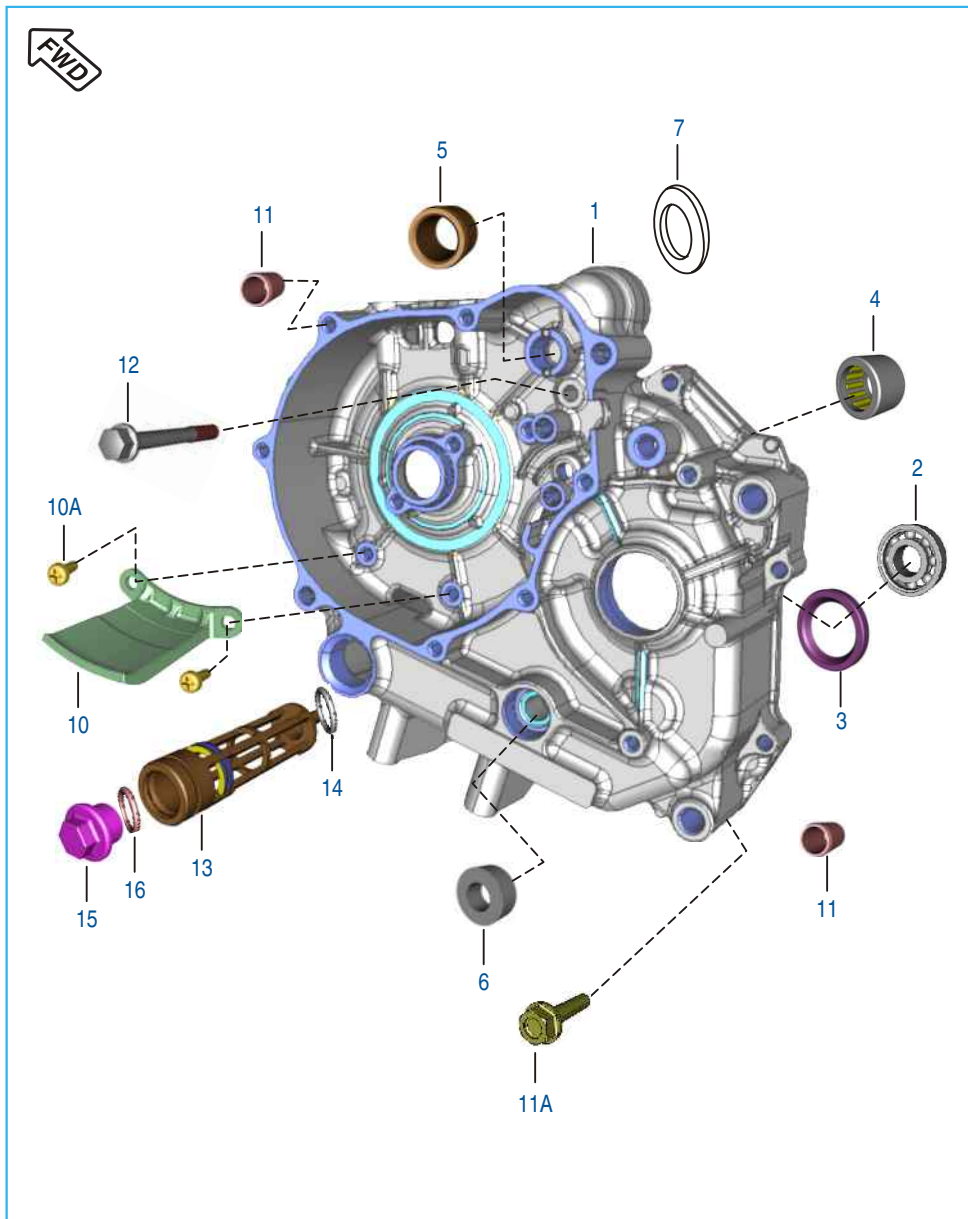


 Front Wheel Direction

Engine Assembly / Crankcase RH

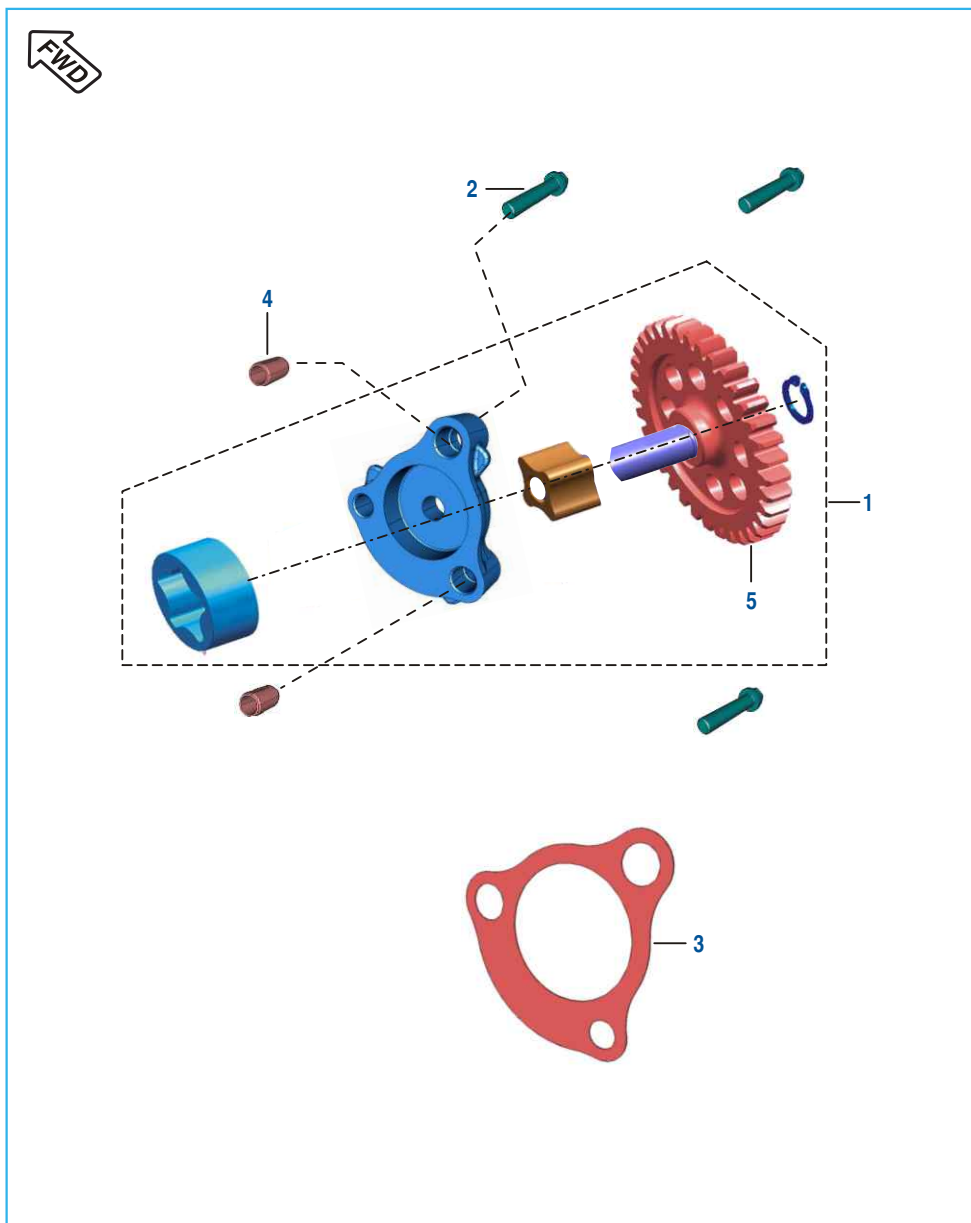
No.	Part No.	Description	Qty.			Remarks
			125 ST	125 T	100 T	
1	JE 5010 06	Engine Assly - 125 ST	1	--	--	N.I.
	JE 5010 17	Engine Assly - 125 T	--	1	--	
	PA 5010 07	Engine Assly - 100 T	--	--	1	N.I.
1A	36 JZ00 78	Kit assly C'Case RH	1	1	--	Ref. Page No. 121
	PA 5410 11	Assly C'Case RH	--	--	1	Ref. Page No. 125
2	PF 5410 18	Bushing Drum	1	1	1	
3	JA 5410 11	Needle Roller Bearing	1	1	1	HK1212
4	59 2000 36	Bearing - Ball 6203 HN3 C3	1	1	1	
5	JA 5410 10	Stopper plate input bearing	1	1	1	
6	DH 1013 80	Screw - Pan Pre-coated	1	1	1	(M6X12)-39
7	JA 5410 14	Bolt Shift Change	1	1	1	
8	JA 5410 12	Guide Kick	1	1	1	
9	39 1964 04	Bolt Flange	2	2	2	
10	52 JA00 27	Stud (JA541015) Pre-coated	1	1	1	
11	JA 5412 35	Bolt	2	2	2	

Crankcase LH

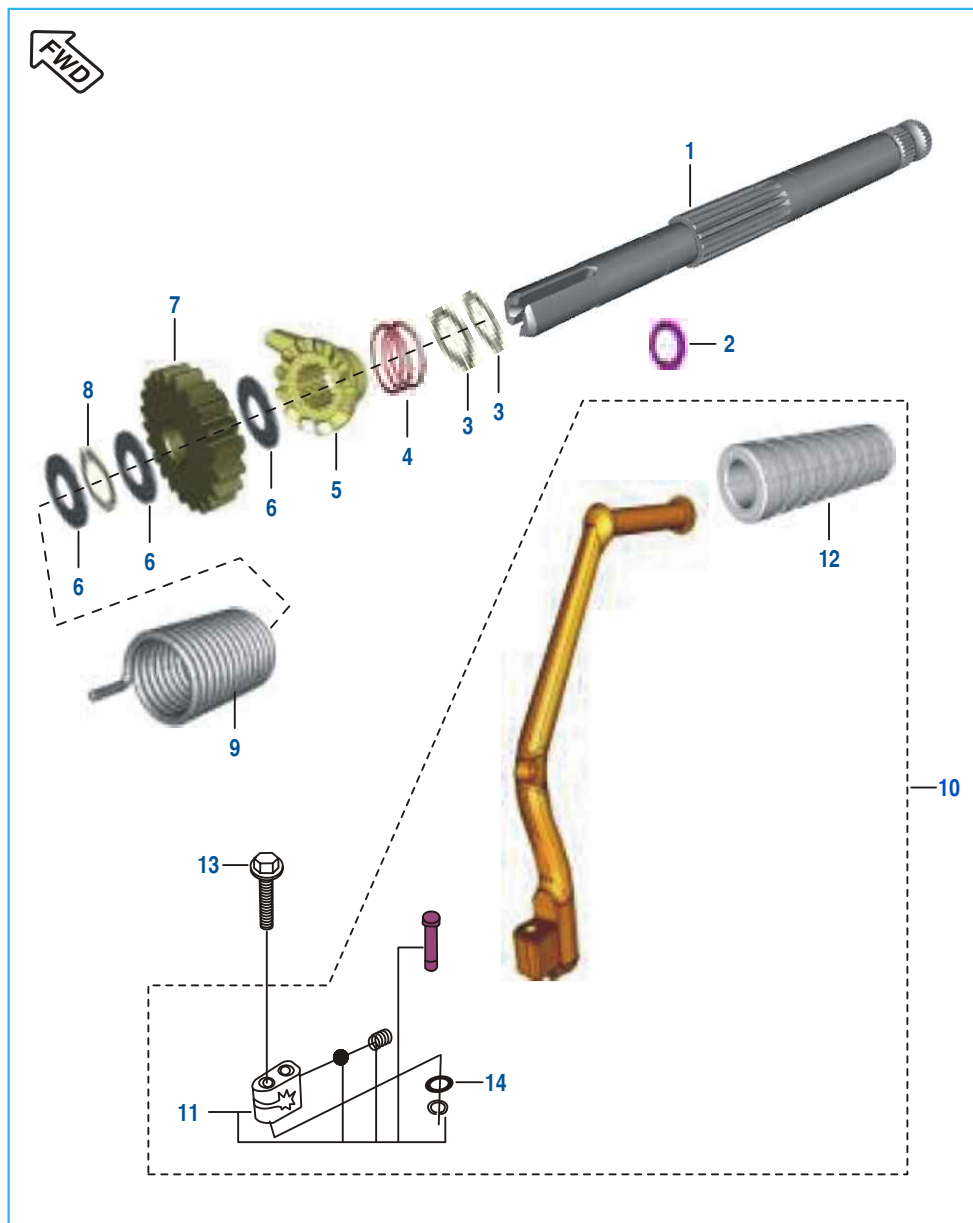


No.	Part No.	Description	Qty.			Remarks
			125 ST	125 T	100 T	
1	36 JZ00 77	Kit Assly C' Case LH	1	1	--	Refer Page No. 121
	36 JZ00 28	Kit Assly C' Case LH	--	--	1	Refer Page No. 124
2	59 2000 36	Ball Bearing	1	1	1	
3	39 1715 19	Seal - Oil	1	1	1	
4	39 2562 20	Bearing - Needle Roller	1	1	1	13X19X12
5	JA 5410 05	Bush Bendix	1	1	1	
6	39 2190 19	Seal - Oil	1	1	1	
7	JD 5410 00	Damper C'Shaft	1	1	--	
	JA 5410 27	Damper C'Shaft	--	--	1	
8	31 2010 81	Switch - Neutral	1	1	1	N.I.
9	DH 1012 64	Neutral Switch AL Washer	1	1	1	N.I.
10	JA 5410 34	Stopper Gear Starter-	1	1	1	Aluminium
10A	39 0747 01	Screw Pan Cross - M6	1	2	2	
11	39 0999 06	Pin - Hollow Dowel	4	4	4	
11A	59 0400 38	Bolt Flange	6	6	6	
12	39 1759 04	Bolt - M6 X 55	1	1	1	
13	JG 5710 24	Mesh Oil Filter Assy_G2	1	1	1	With 'O' ring
14	LJ A000 04	'O' ring-Strainer	1	1	1	
15	JA 5410 21	Cap Strainer	1	1	1	
16	59 2100 23	'O' ring Cap Strainer	1	1	1	

Oil Pump



No.	Part No.	Description	Qty.			Remarks
			125 ST	125 T	100 T	
1	JZ 5710 00	Assembly Oil Pump	1	1	--	Pre-Coated
	JB 5710 05	Assembly Oil Pump	--	--	1	
2	FD 1010 78	Screw Pan Cross :	3	3	3	
3	JA 5410 16	Gasket Case Oil Pump	1	1	1	
4	39 0999 06	Pin Dowel	2	2	2	
5	JZ 5710 01	Gear Oil Pump Driven	1	1	--	
	JB 5710 06	Gear Oil Pump Driven	--	--	1	

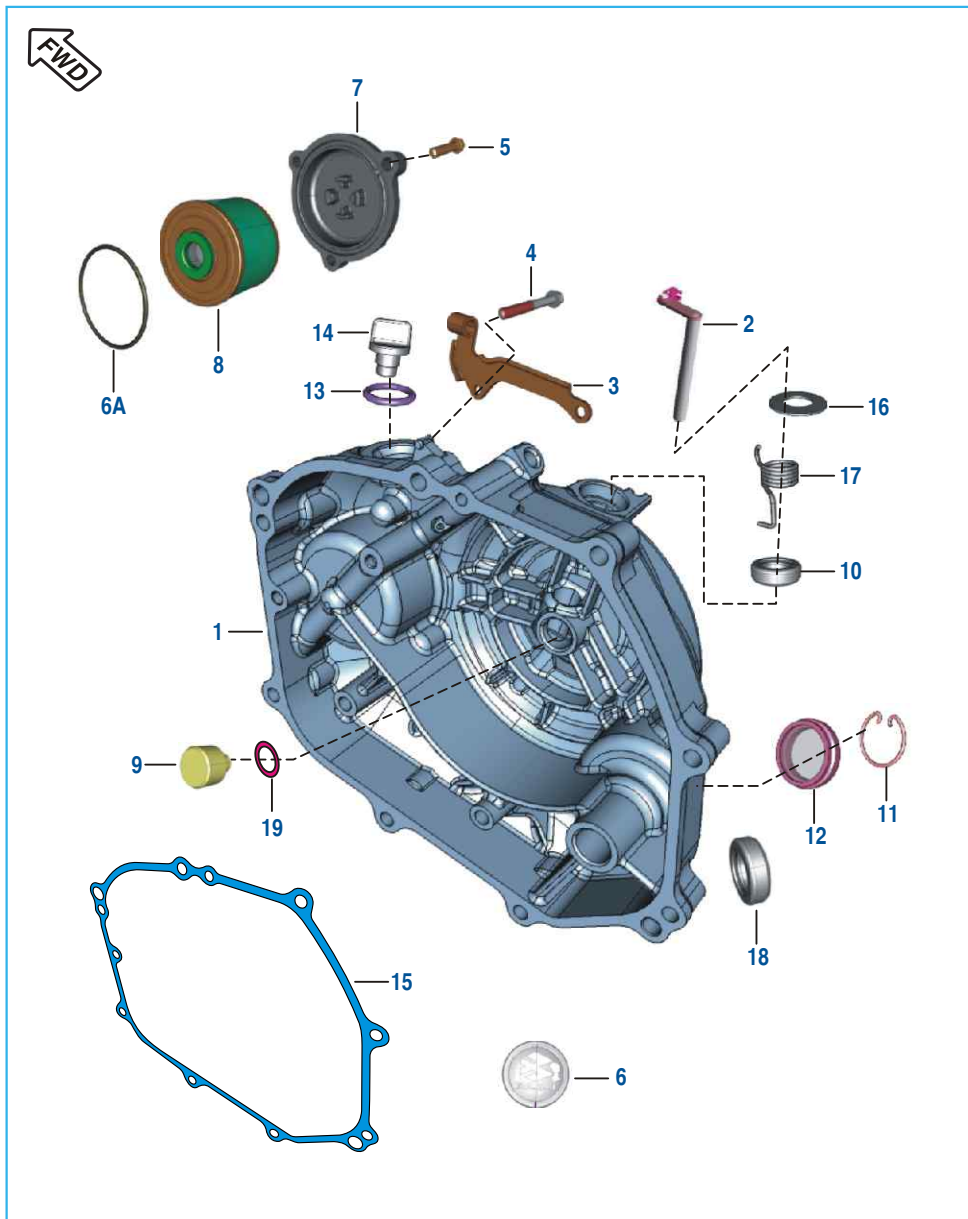


 Front Wheel Direction

Kick Starter Mechanism

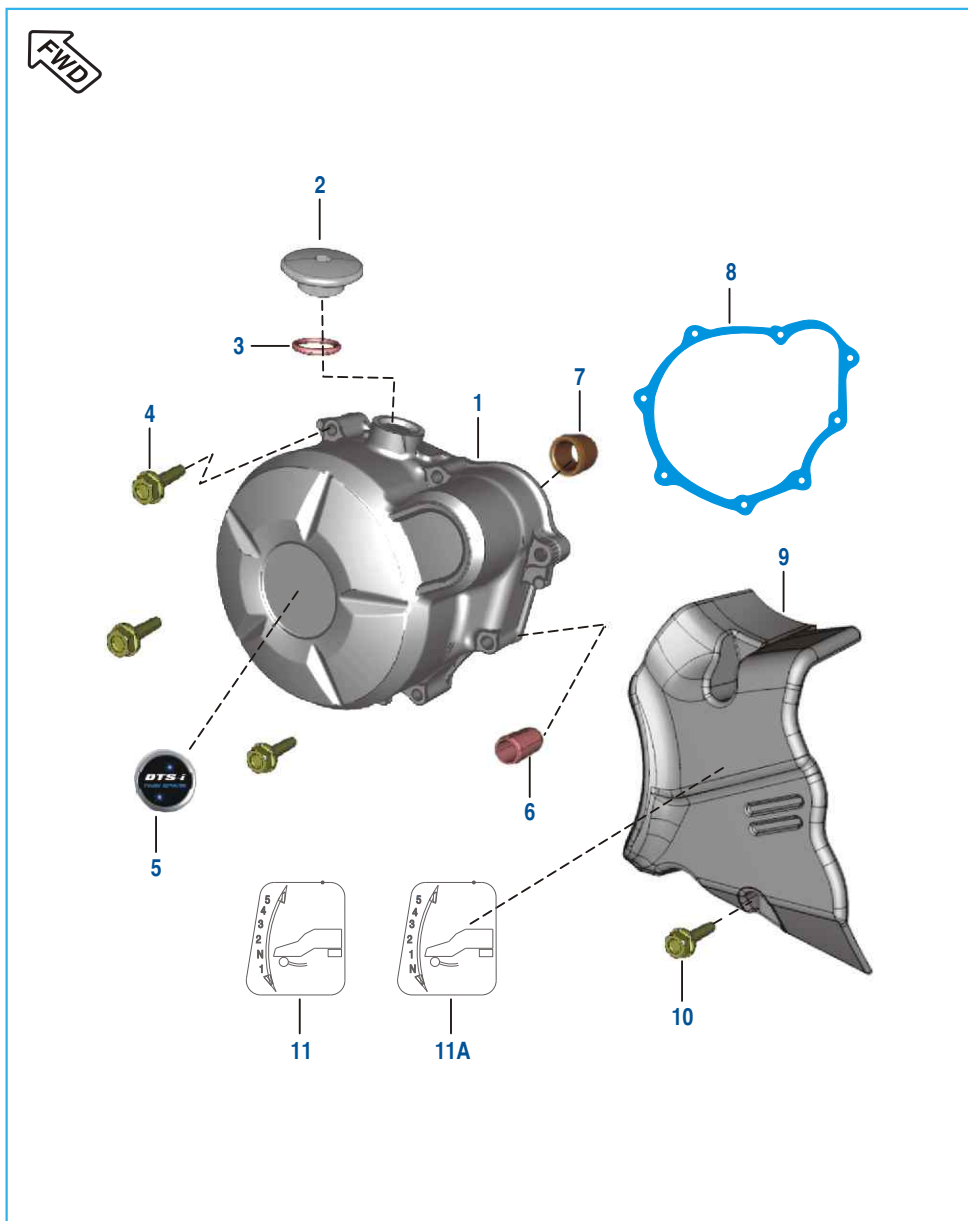
No.	Part No.	Description	Qty.			Remarks
			125 ST	125 T	100 T	
1	JE 6210 01	Kick Shaft	1	1	1	
2	JA 6210 06	Washer Thrust	1	1	1	
3	39 0738 17	Circlip	2	2	2	
4	DS 1011 17	Spring Kick Starter Ratchet	1	1	1	
5	JA 6210 02	Ratchet	1	1	1	
6	39 0993 11	Washer Plain	3	3	3	
7	JZ 6210 00	Gear starter pinion	1	1	1	
8	39 2408 17	External Circlip	1	1	1	
9	JE 5410 08	Spring Kick Return	1	1	1	
10	JZ 6212 00	Assembly Kick Lever	1	1	1	
11	36 JZ00 98	Kit Boss Kick Lever	1	1	1	Refer Page No. 123
12	DD 1010 97	Damper	1	1	1	
13	JA 6212 06	Bolt	1	1	1	
14	22 1502 41	Plain Washer	1	1	1	

Cover Clutch



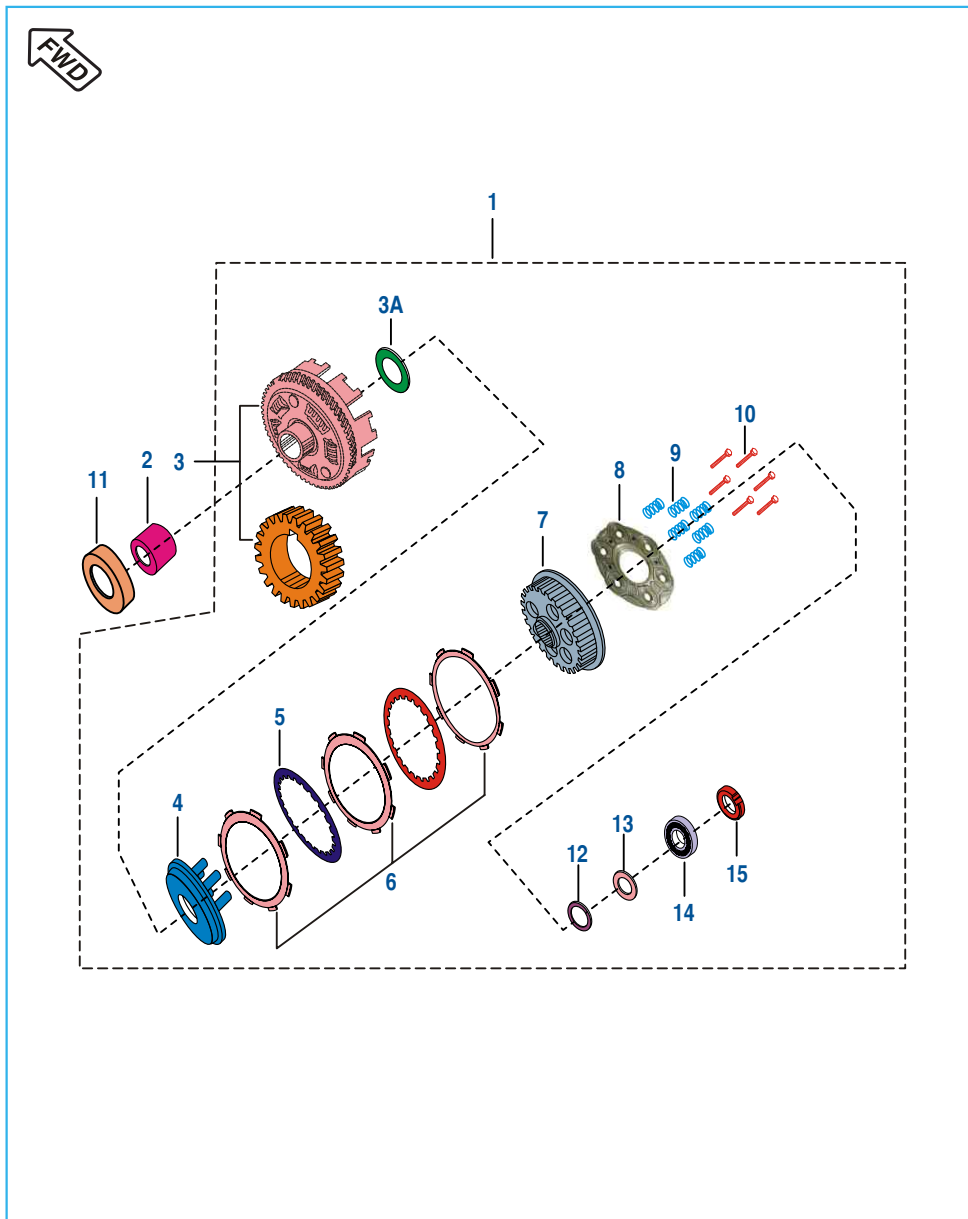
No.	Part No.	Description	Qty.			Remarks
			125 ST	125 T	100 T	
1	36 JZ00 75	Kit Assly Clutch Cover	1	1	--	Refer Page No. 121
	36 PA00 99	Kit Assly Clutch Cover	--	--	1	Refer Page No. 124
2	JW 5410 05	Shaft Clutch Release Assly	1	1	1	
3	JW 5410 00	Bracket Clutch Cable	1	1	1	
4	59 0400 38	Bolt - Flange : M5	8	8	8	
5	JA 5210 19	Bolt	3	3	3	
6	JE 5412 31	Decal Clutch Cover	1	1	1	
6A	39 1671 21	Ring - 'O'	1	1	1	
7	JZ 5412 14	Cap Filter	1	1	1	
8	DD 1211 81	Element Oil Filter	1	1	1	
9	DP 1012 69	Rod-Push	1	1	--	
	PA 5514 05	Push Rod	--	--	1	
10	39 1041 19	Seal - Oil	1	1	1	
11	DS 1012 15	Clip - Wire	1	1	1	
12	DG 1014 18	Gauge	1	1	1	
13	JA 5412 25	O Ring Cap Oil Filler	1	1	1	
14	JA 5412 11	Cap Oil Filler	1	1	1	
15	JA 5412 12	Gasket Clutch Cover	1	1	1	
16	JA 5412 36	Plain Washer (12.5X24X0.8)	1	1	1	
17	JA 5412 37	Spring Torsion Cl. Cover	1	1	1	
18	30 1011 42	Seal - Oil (Kick Shaft)	1	1	1	
19	39 1561 21	Ring O'	--	--	1	

Cover Magneto



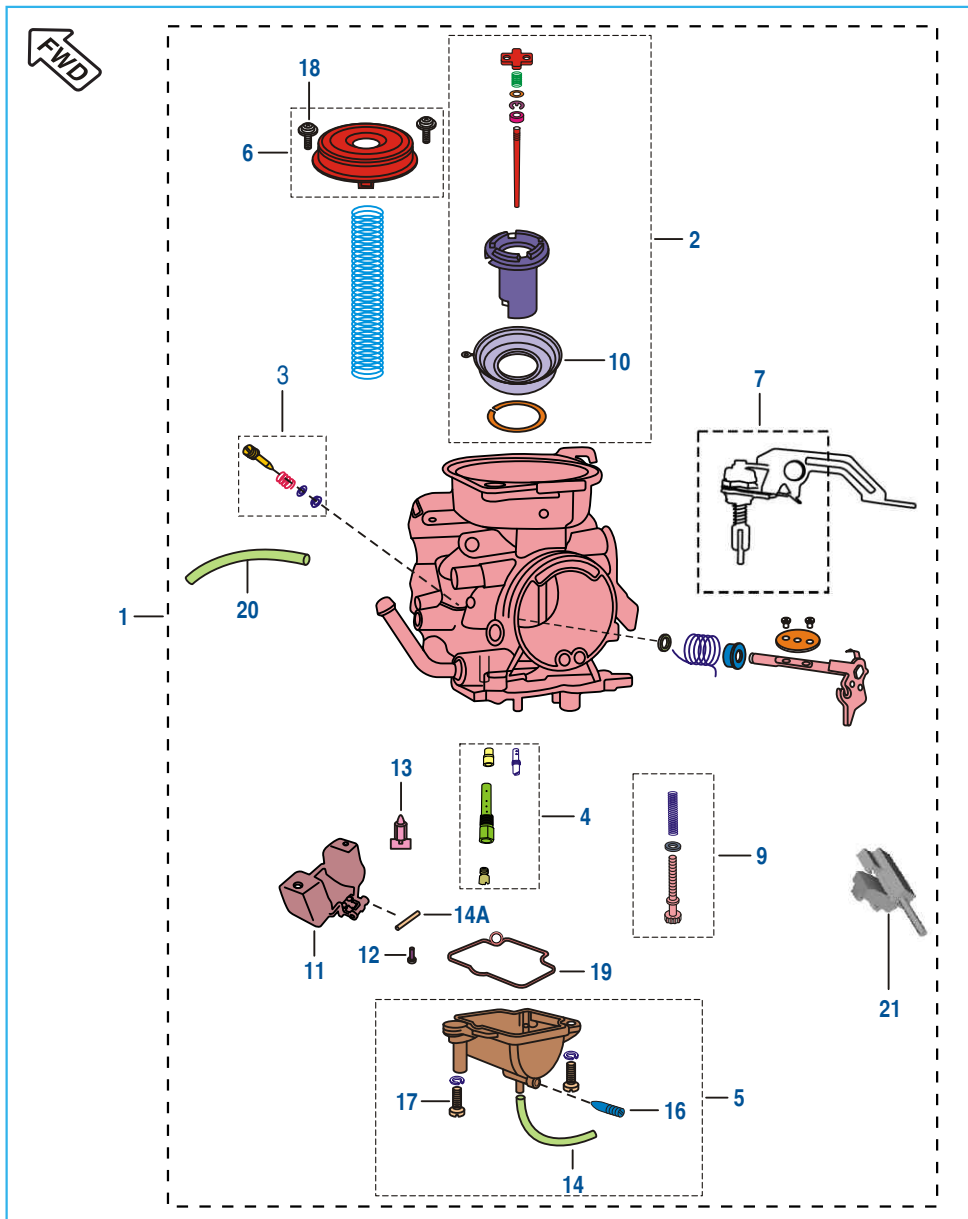
No.	Part No.	Description	Qty.			Remarks
			125 ST	125 T	100 T	
1	36 JB00 20	Kit Assly Cover Magneto	1	1	--	Refer Page No. 126
	JE 5412 33	Assly Cover Magneto	--	--	1	Bush+Dcl +Cap+ O'ring
2	JA 5412 33	Cap TDC finder	1	1	1	
3	30 1011 95	'O' ring	1	1	1	
4	JA 5410 44	Bolt - Flanged : Small	8	8	8	
5	JE 5412 30	Label Mag Cover	1	1	1	
6	39 0999 06	Dowl	2	2	2	
7	JA 5410 05	Bush Bendix	1	1	1	
8	JA 5412 05	Gasket Magneto Cover	1	1	1	
9	JZ 5412 26	Cover RR assly	1	--	--	Cover+Gear Shift Label
	JE 5412 47	Cover RR assly	--	1	--	Cover+Gear Shift Label
	PA 5412 09	Cover RR assly	--	--	1	Cover+Gear Shift Label
10	59 0400 38	Flange bolt	2	2	2	
11	DJ 1612 28	Gear Shift Label	1	1	--	
11A	PA 5412 10	Gear Shift Label	--	1	1	

Clutch Assly



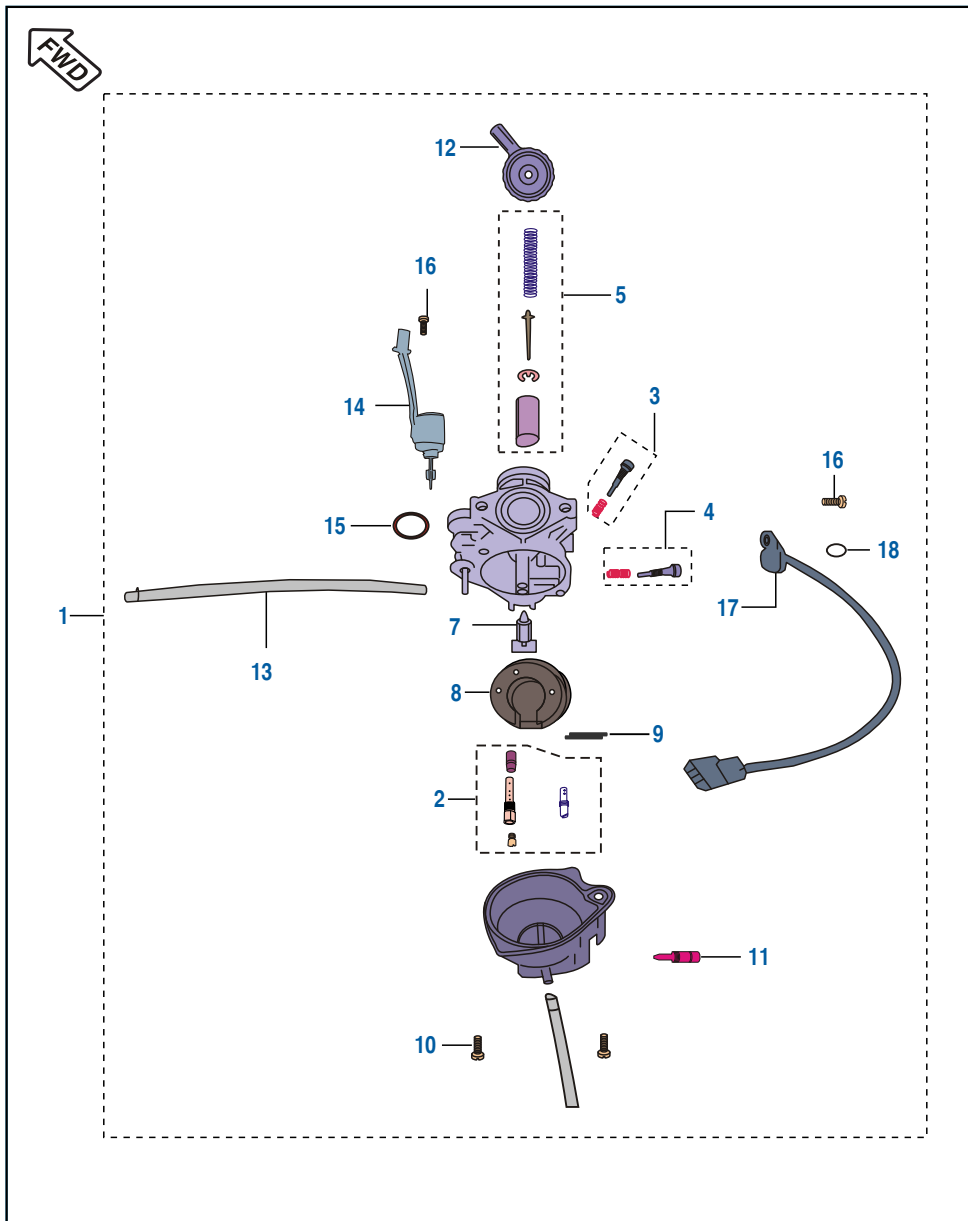
No.	Part No.	Description	Qty.			Remarks
			125 ST	125 T	100 T	
1	JZ 5514 13	Assembly Clutch	1	1	--	
	PA 5514 04	Assembly Clutch D100T	--	--	1	
2	JA 5514 06	Collar Clutch	1	1	1	
3	36 JZ00 23	Kit Primary Drive & Driven	1	1	1	Refer Page No.121
3A	39 2600 11	Washer - Plain	1	1	1	
4	JB 5514 08	Wheel Clutch	1	1	1	
5	30 1010 96	Plate Cutch	4	4	4	
6	36 JZ00 99	Kit Friction Plate	1	1	1	Refer Page No.122
	36 JE00 24	Kit Friction Plate (Alternate)	1	1	1	Refer Page No.126
7	JB 5514 11	Hub Clutch	1	1	1	
8	JB 5514 12	Clutch Holder	1	1	1	
9	JZ 5514 15	Compression Spring	6	6	--	
	28 1012 14	Compression Spring	--	--	6	
10	39 0980 04	Flange Bolt	6	6	6	
11	JD 5514 00	Spacer Clutch Assembly	1	1	1	
12	JA 5514 20	Washer Plain	1	1	1	
13	JE 5514 09	Washer Belleville	1	1	1	
14	39 1001 20	Bearing - Ball	1	1	1	
15	JA 5310 07	Nut Crankshaft M14	1	1	1	

Carburetor Assembly (125 ST & T)



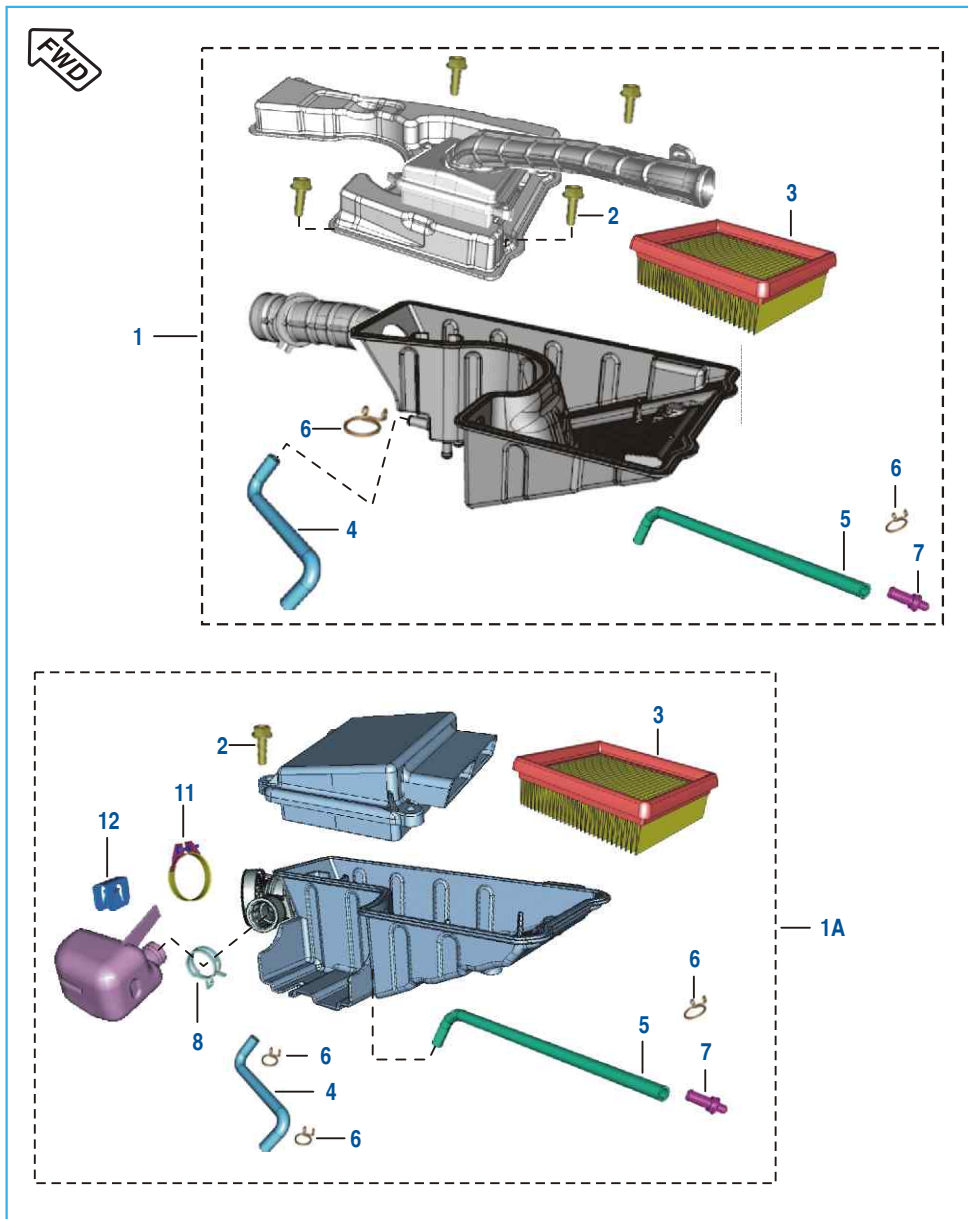
No.	Part No.	Description	Qty.			Remarks
			125 ST	125 T	100 T	
1	JE 5812 31	Assly Carburetor-125 ST	1	--	--	
	JE 5812 38	Assly Carburetor -125 T	--	1	--	
2	36 JE00 16	Kit Piston Valve	1	1	--	Refer Page No. 122
3	36 JE00 17	Kit Pilot Screw	1	1	--	Refer Page No. 122
4	36 JE00 18	Kit Jet-125 ST	1	--	--	Refer Page No. 122
	36 JE00 23	Kit Jet -125 T	--	1	--	
5	36 JE00 19	Kit Float Chamber Body	1	1	--	Refer Page No. 123
6	36 JE00 20	Kit Top Cap	1	1	--	Refer Page No. 123
7	36 JE00 21	Kit Plunger Assly	1	1	--	Refer Page No. 123
8	36 JE00 22	Kit O Ring & Gasket	1	1	--	Refer Page No. 122
9	DK 1210 41	Kit VC Screw	1	1	--	Refer Page No. 122
10	JE 5812 13	Diaphragm	1	1	--	
11	DH 1210 59	Float Assly	1	1	--	
12	DH 1210 64	Screw Needle Shaft	1	1	--	
13	DH 1210 93	Needle Assly	1	1	--	
14	JE 5812 23	Pipe Overflow	1	1	--	
14A	DH 1210 63	Pin	1	1	--	
15	DH 1210 41	Clip Drain Hose	1	1	--	N.I.
16	JE 5812 18	Drain Screw	1	1	--	
17	DP 1210 67	Screw Float Body	4	4	--	
18	DH 1211 76	Screw Diaphragm Cover	2	2	--	
19	DP 1210 59	Gasket Float Chamber	1	1	--	
20	DP 1210 18	Clamp	1	1	--	Towards Air Filter
21	JE 5812 37	Reed Switch Assembly	1	1	--	

Carburetor Assembly (100 T)



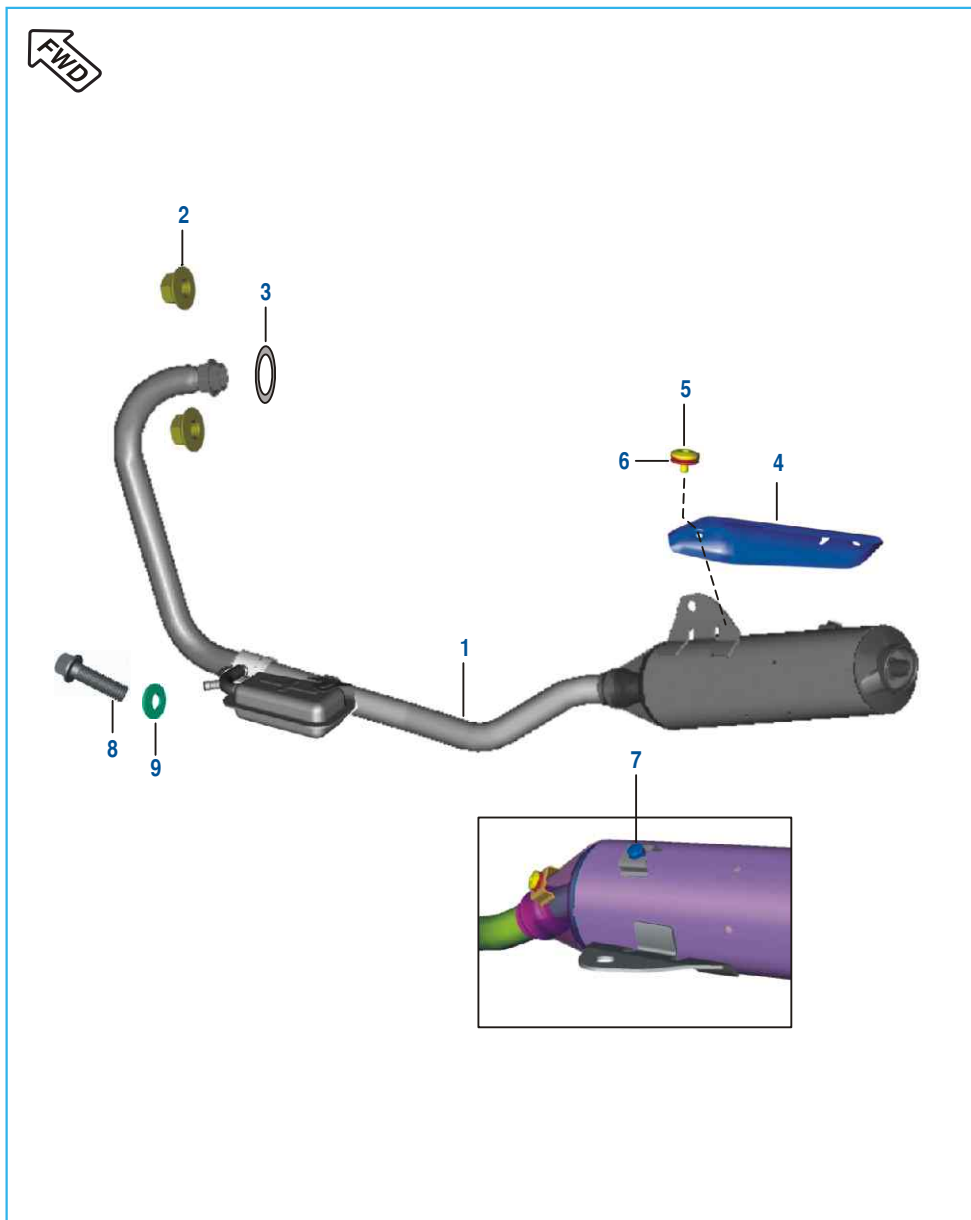
No.	Part No.	Description	Qty.			Remarks
			125 ST	125 T	100 T	
1	PA 5812 08	Assembly Carburetor	--	--	1	
2	36 PA01 04	Kit Carb Jet D100T	--	--	1	Refer Page No. 125
3	36 PA01 05	Kit Carb Air Screw	--	--	1	Refer Page No. 125
4	36 PA01 06	Kit Carb Idling Screw	--	--	1	Refer Page No. 125
5	36 PA01 07	Kit Carb Throttle Valve	--	--	1	Refer Page No. 125
6	36 PA01 08	Kit O Ring & Gasket	--	--	1	Refer Page No. 125
7	JB 5812 29	Valve Comp Float	--	--	1	
8	JB 5812 30	Float	--	--	1	
9	JB 5812 56	Arm Pin Float	--	--	1	
10	JB 5812 32	Screw Float Chamber	--	--	2	
11	JB 5812 60	Drain Screw	--	--	1	
12	JB 5812 37	Adjuster Cable	--	--	1	
13	JB 5812 58	Tube Air Vent	--	--	1	
14	PA 5812 22	Solenoid Assembly	--	--	1	
15	JB 5812 47	O-Ring Solenoid	--	--	1	
16	JB 5812 48	Screw - Washer	--	--	2	(TPS & Solenoid)
17	JB 5812 02	Sensor Throttle Position	--	--	1	
18	JB 5812 04	O-Ring TPS	--	--	1	

Air Cleaner Complete



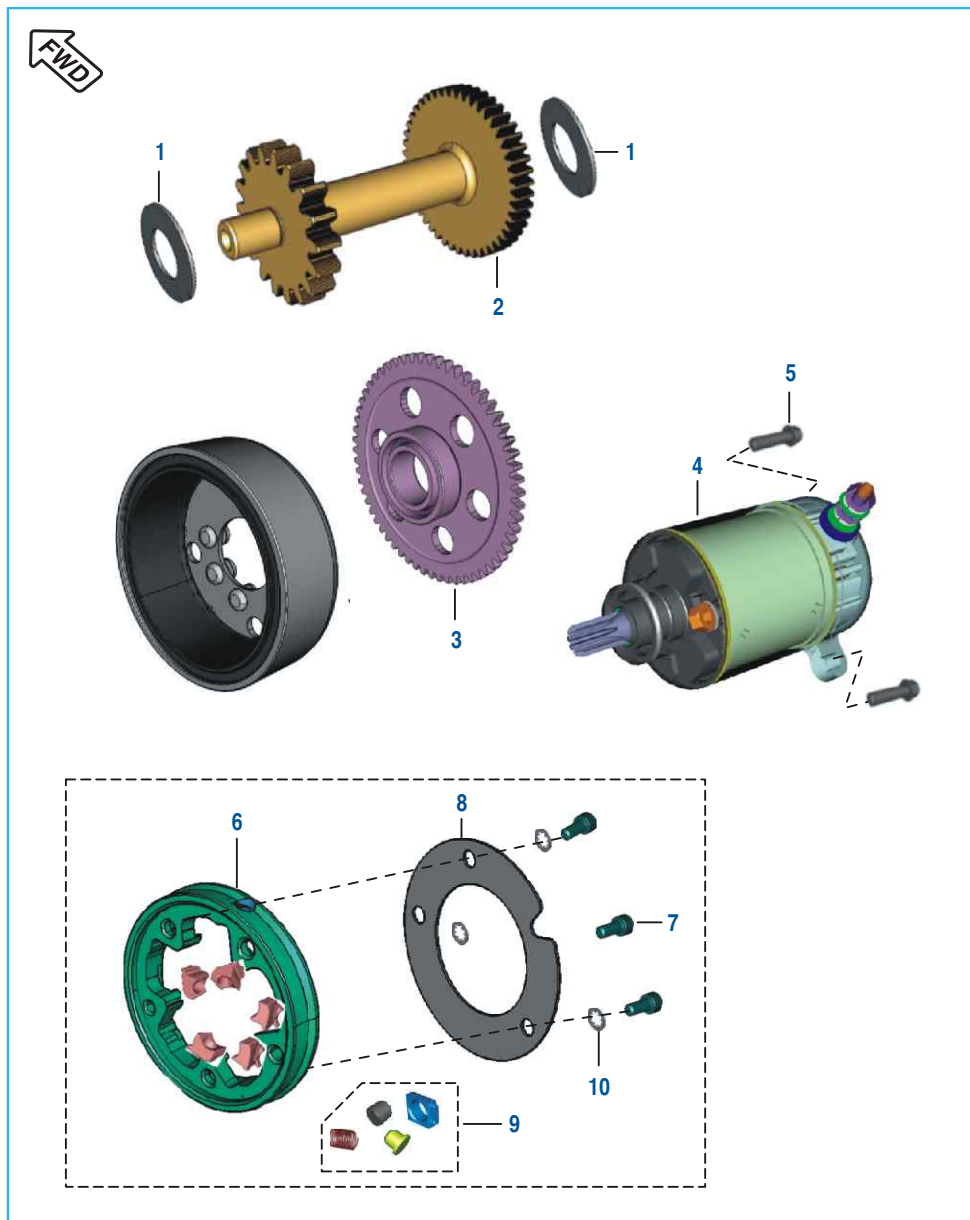
No.	Part No.	Description	Qty.			Remarks
			125 ST	125 T	100 T	
1	JZ 5810 20	Assembly Air Filter	1	--	--	
	JZ 5810 40	Assembly Air Filter	--	1	--	
1A	PA 5810 02	Assembly Air Filter	--	--	1	
2	KA DA06 18	Bolt Flange	4	4	4	
3	JZ 5810 32	Element Air Filter	1	1	1	
4	JZ 5810 26	Hose Breather	1	1	1	
5	JZ 5810 25	Drain Tube	1	1	1	
6	DG 1210 25	Clip	2	2	2	
7	DS 1211 26	Pug	1	1	1	
8	JG 6012 10	Clamp Resonator	--	--	1	
9	39 1949 04	Bolt Flange M6 X 1 X 14L	1	1	1	Air Filter mtg.
10	39 2204 04	Bolt Flange M6 X 1 X 10L	2	2	2	Air Filter mtg.
11	DH 1210 38	Clamp	--	--	1	
12	PA 5810 33	Clip Resonator	--	--	1	

Silencer Assembly



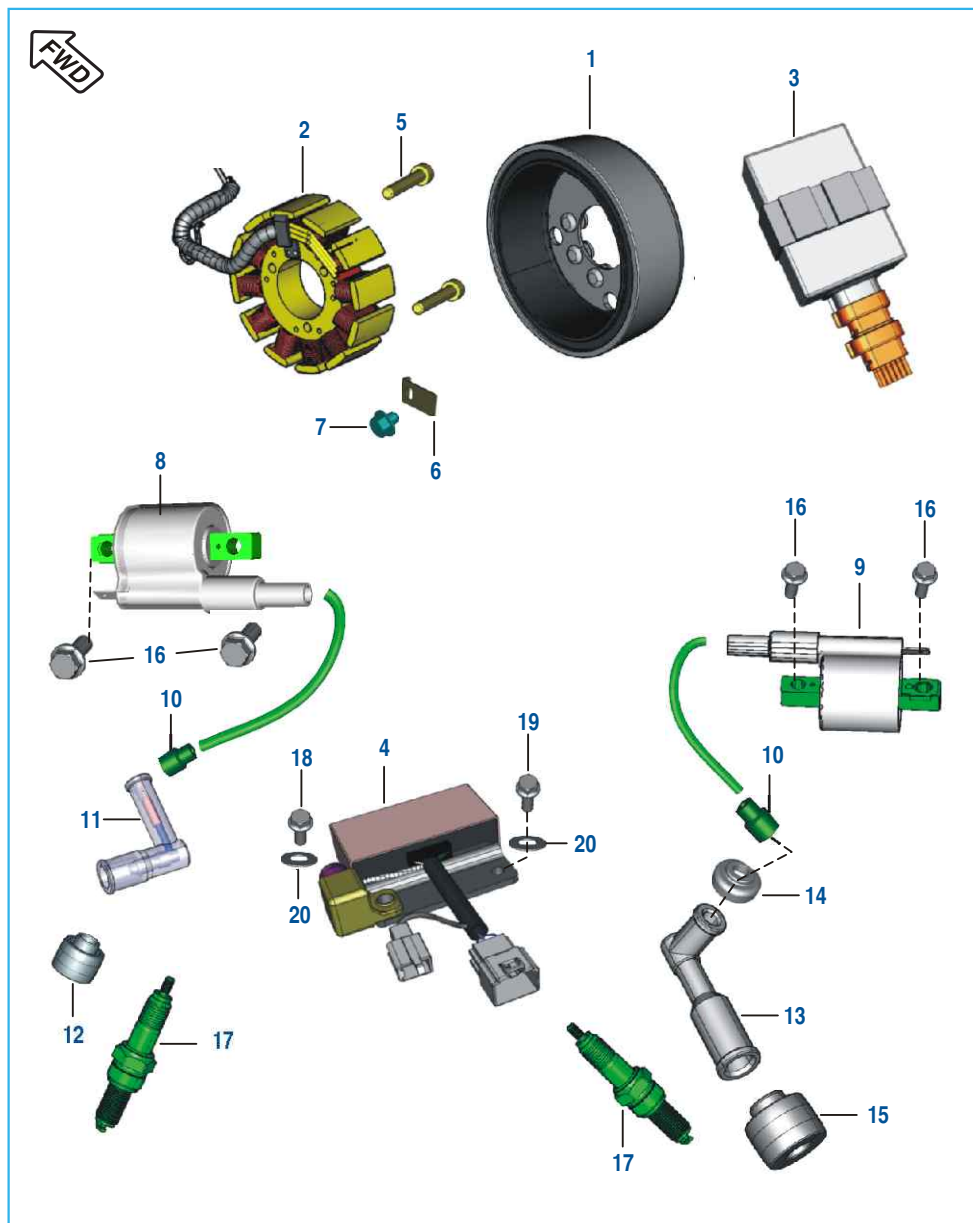
No.	Part No.	Description	Qty.			Remarks
			125 ST	125 T	100 T	
1	36 JZ00 82	Kit Assly Silencer -125 ST	1	--	--	W/O Shields
	36 PA01 16	Kit Assly Silencer -125 T	--	1	--	W/O Shields
	36 PA00 97	Kit Assly Silencer -100 T	--	--	1	W/O Shields
	36 PA01 47	Kit Silencer -100T Disc	--	--	1	W/O Shields (NP-28)
2	JA 5910 40	Nut - U	2	2	2	
3	JE 5910 02	Gasket Exhaust	1	1	1	
4	JZ 5910 95	Shield Muffler	1	1	1	
5	DH 1013 95	Truss Screw	2	2	2	
6	DH 1013 01	Seal Shield Muffler	2	2	2	
7	JW 5910 30	Grommet Shield	1	1	1	
8	KA DA05 10	Hex Head Bolt	1	1	1	
9	39 2492 11	Plain Washer	1	1	1	

Starter Assembly



No.	Part No.	Description	Qty.			Remarks
			125 ST	125 T	100 T	
1	JA 6214 02	Washer(Thk 0.4)	2	2	2	
2	JA 6214 06	Drive Assly.	1	1	1	
3	JA 6214 10	Gear Starter Clutch	1	1	1	
4	JA 3516 00	Starter Motor Assly.	1	1	1	
5	LA D000 11	Bolt Flange	2	2	2	
6	JA 6214 14	Body starter Clutch	1	1	1	
7	DH 1013 82	Bolt	3	3	3	
8	DH 1017 81	Plate Roller Clutch	1	1	1	
9	36 JZ00 08	Starter Clutch Repair Kit	1	1	1	Refer Page No.124
10	39 0849 14	Washer	3	3	3	

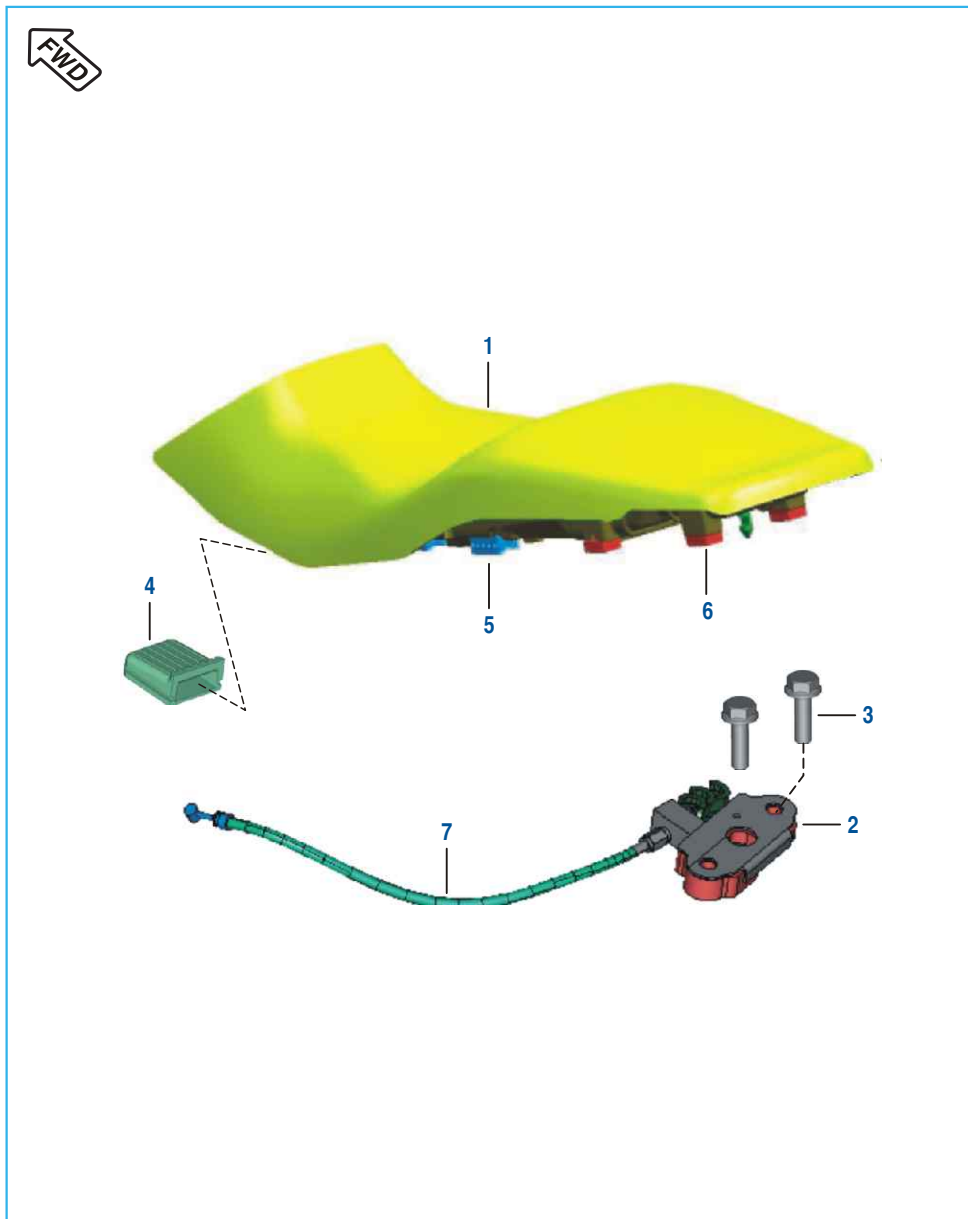
Magneto, CDI & H.T. Coil



Front Wheel Direction

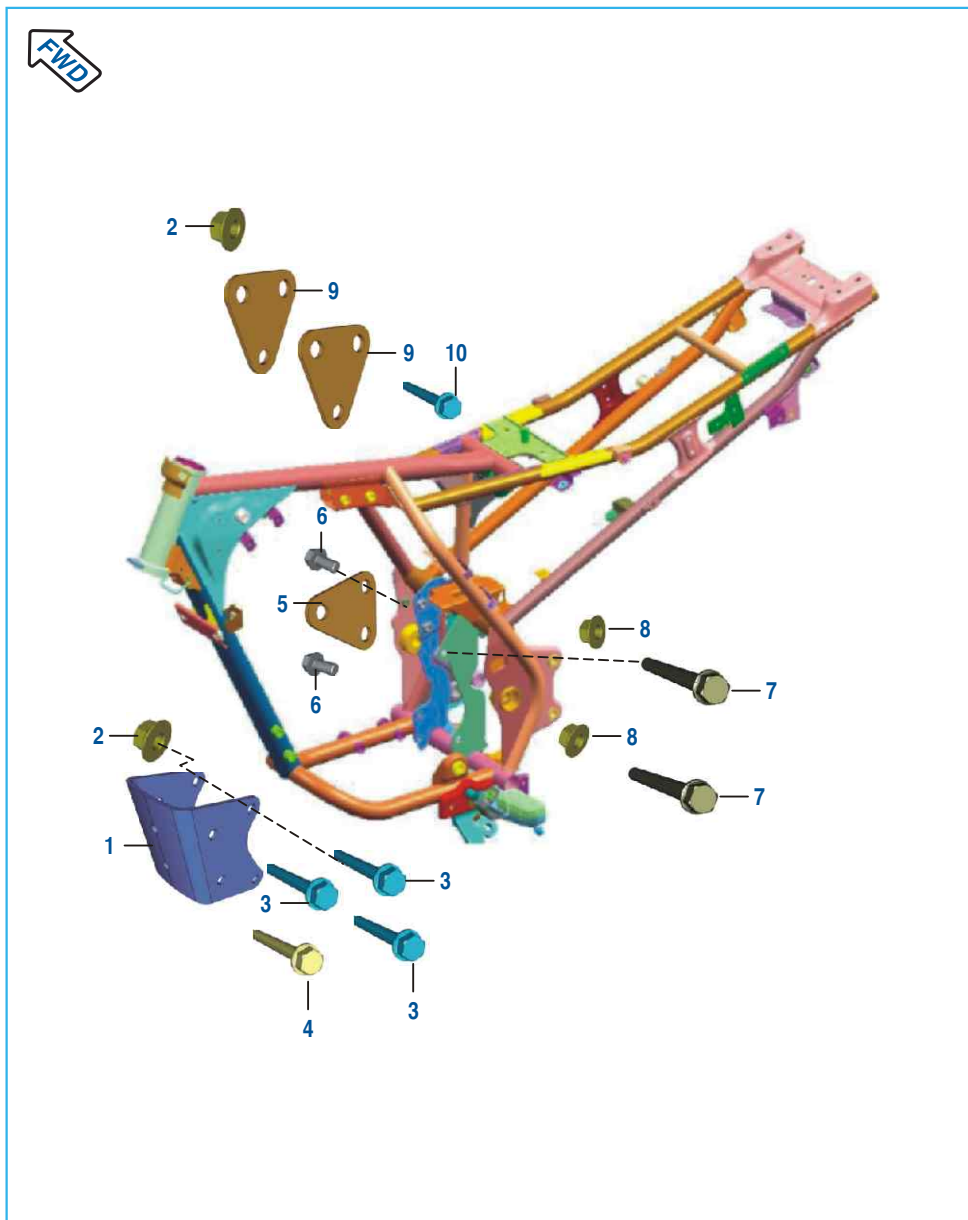
No.	Part No.	Description	Qty.			Remarks
			125 ST	125 T	100 T	
1	JE 3510 02	Rotor Assly	1	1	--	
	JE 3510 04	Rotor Assly	1	--	--	B-38 dated 16/08/13
	JB 3510 14	Rotor Assly	--	--	1	
	PA 3510 01	Rotor Assly	--	--	1	From 13.02.2013
2	JP 3510 07	Stator assly	1	1	--	
	JE 3510 05	Stator assly	1	--	--	B-38 dated 16/08/13
	JB 3510 22	Stator assly	--	--	1	
	PA 3510 03	Stator assly	--	--	1	From 13.02.2013
3	JE 3512 06	CDI D125 ST	1	--	--	
	JE 3512 07	CDI D125 T	--	1	--	
	PA 3512 06	CDI D100 T	--	--	1	
4	JZ 4020 00	DC Regulator	1	1	1	
5	39 1675 04	Flange bolt	2	2	2	
	LA C000 52	Bolt	2	2	2	From 13.02.2013
6	JA 5410 28	Lock Plate	1	1	1	
7	DH 1013 80	Pan Head Screw	3	3	3	
8	JZ 3512 11	Coil HT with Cap LH	1	1	1	
9	JZ 3512 13	Coil HT with Cap RH	1	1	1	
10	DD 1110 12	Grommet HT coil	2	2	2	
11	DD 1010 48	Spark Plug Cap	1	1	1	
12	DD 1110 11	Grommet Spark Plug Cap	1	1	1	
13	DH 1110 15	Cap Spark Plug	1	1	1	
14	JD 3512 06	Grommet Sleeve Plug Cap	1	1	1	
15	DH 1110 13	Grommet Spark Plug Cap	1	1	1	
16	59 0400 14	Bolt Flanged M6X1	4	4	4	
17	CF 1110 19	Plug - Spark BOSCH :	2	2	2	UR4AC Or PRZ9HC
	DD 1110 18	Plug - Spark Champion	2	2	2	
18	39 1949 04	Bolt Flange - Small	1	1	1	
19	39 1673 04	Bolt Flange - 14	1	1	1	
20	39 1309 11	Washer Plain	2	2	2	

Seat Assembly / Seat Lock



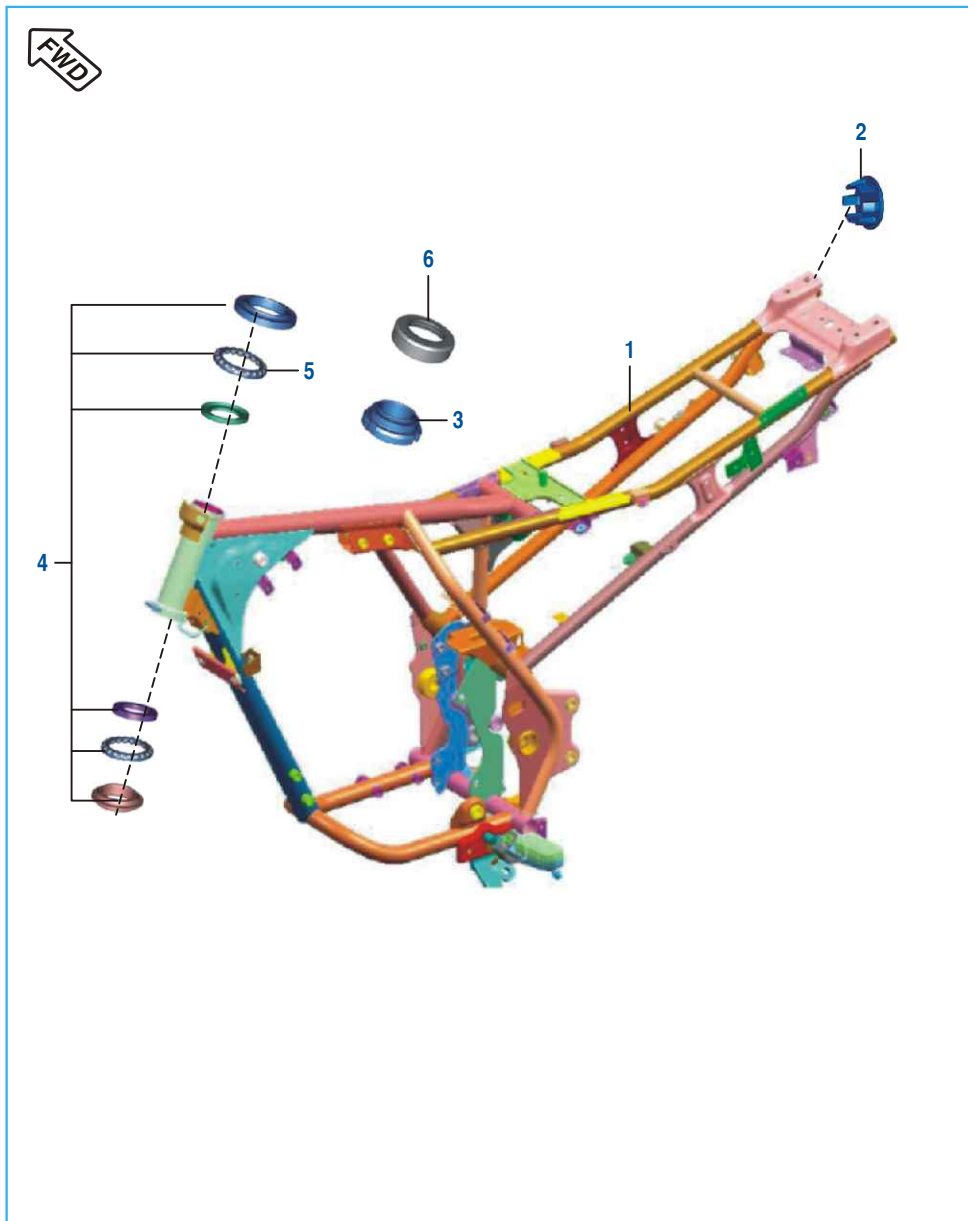
No.	Part No.	Description	Qty.			Remarks
			125 ST	125 T	100 T	
1	JZ 1910 00	Seat Assly. Comp	1	--	--	
	PA 1910 00	Seat Assly. Comp	--	1	1	
2	DH 1612 33	Lock Assy. Seat	1	1	1	
3	39 1902 04	Bolt - Flanged : M6	2	2	2	
4	DS 2110 07	Damper Front	1	1	1	
5	JZ 1910 10	Damper For Seat	6	6	6	
6	JZ 1910 11	Damper Rear For Seat	4	4	4	
7	JZ 1612 17	Cable Seat Lock	1	--	--	
	PA 1612 05	Cable Seat Lock	--	1	1	

Engine Mountings



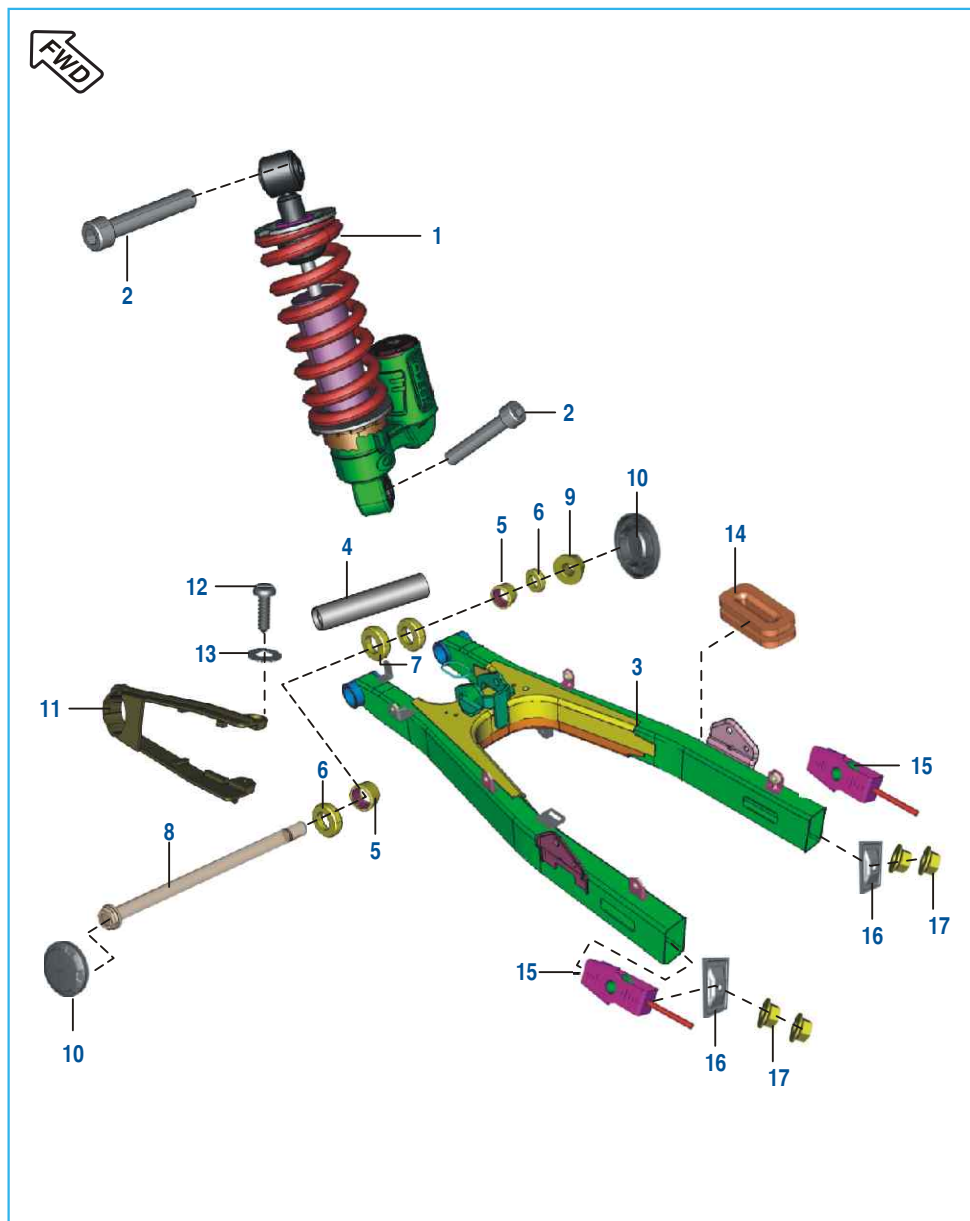
No.	Part No.	Description	Qty.			Remarks
			125 ST	125 T	100 T	
1	JZ 1134 26	Bracket Eng Mtg Front	1	1	1	
2	39 1970 15	Nut - Hex With Flange	4	4	4	
3	JA 1134 04	Bolt Flange M8 L75	3	3	3	
4	39 2498 04	Bolt Flanged	1	1	1	
5	JZ 1134 10	Bracket Eng Mtg Rear Top	1	1	1	
6	39 1940 04	Bolt - Flanged : M8	2	2	2	
7	JA 1134 03	Flanged Bolt M10X110	2	2	2	
8	39 2723 15	Nut Flanged M10 Olive	2	2	2	
9	JZ 1134 11	Bracket Eng Mtg Top	2	--	--	
	PA 1134 02	Bracket Eng Mtg Top LH	--	2	--	
	PA 1134 00	Bracket Eng Mtg Top LH	--	--	2	
10	LA D000 48	Bolt Flanged	3	3	3	M8 X 1.25P X 65 L

Frame and Frame Fittings



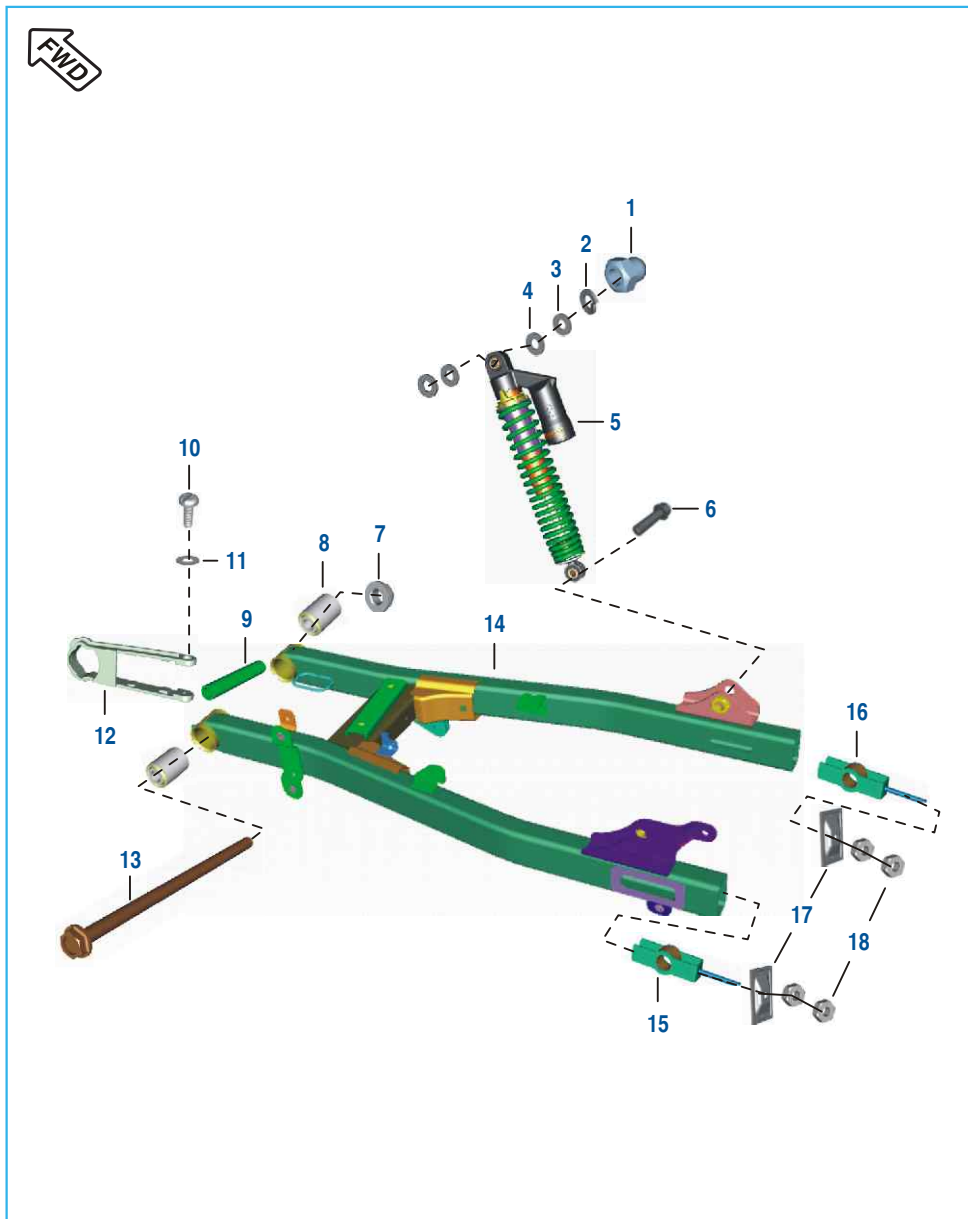
No.	Part No.	Description	Qty.			Remarks
			125 ST	125 T	100 T	
1	JZ 1110 38	Frame Assembly	1	--	--	
	PA 1110 29	Frame Assembly	-	1	1	
2	JZ 1138 05	Cap For Pipe	2	2	2	
3	JZ 1510 84	Nut Steering	1	1	1	
4	36 JZ00 83	Kit-Brg Race+Cone	1	1	1	Refer Page No. 121
5	DJ 1811 15	Cage Bearing - Steering	2	2	2	
6	JZ 1510 83	Cap Steering	1	1	1	
7	DK 2010 49	Clamp Harness Wiring	1	1	1	N.I.
8	36 0010 52	Grease Lithon RR3-10gm	1	1	1	N.I.

Swing Arm / Rear Shock Absorber (125 ST)



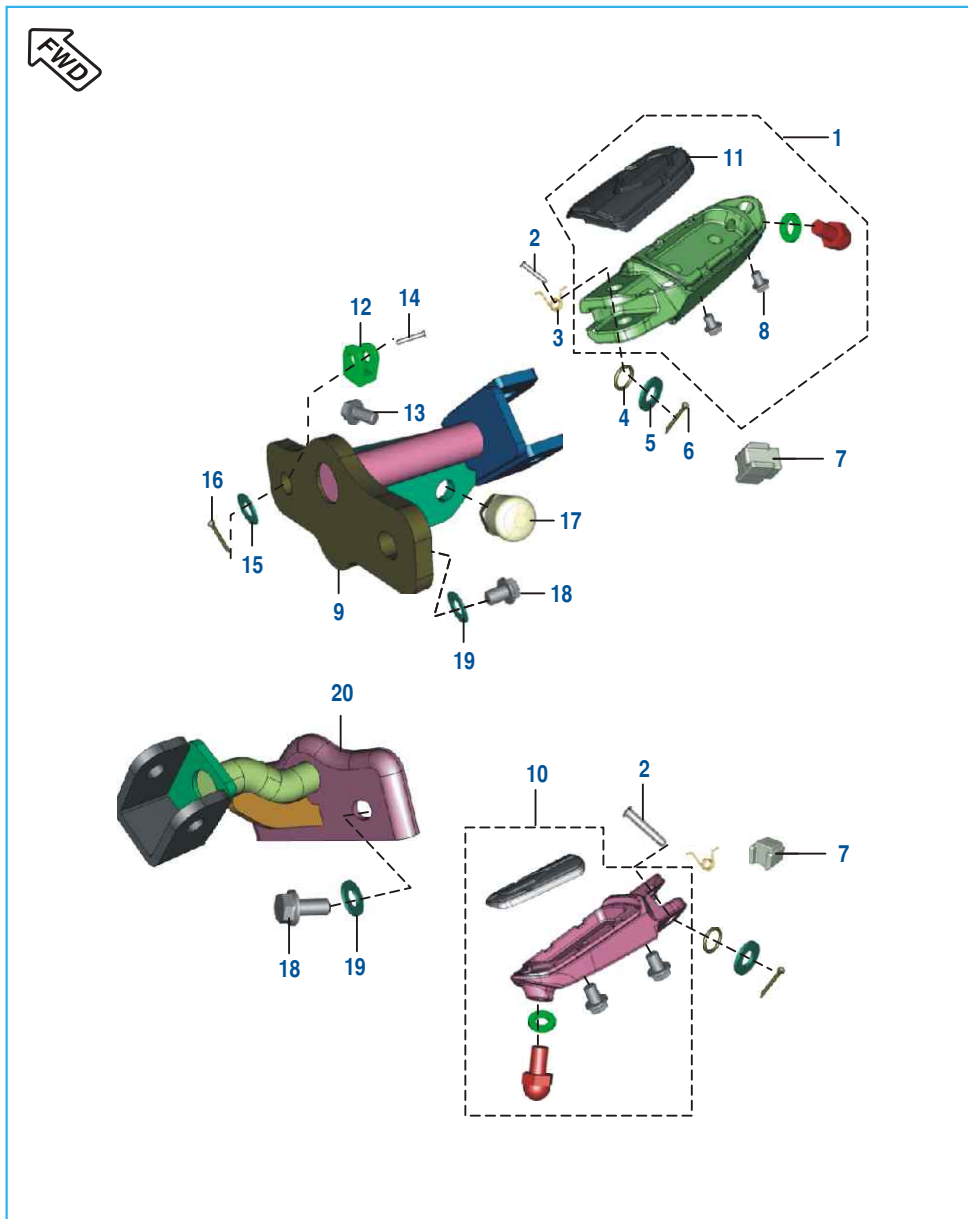
No.	Part No.	Description	Qty.			Remarks
			125 ST	125 T	100 T	
1	JZ 1220 03	Shock absorber Mono	1	--	--	
2	LA C000 19	Bolt Socket M10x1.25x55	2	--	--	
3	JZ 1220 01	Swing Arm Assy	1	--	--	
4	JZ 1220 10	Spacer Swing Arm	1	--	--	
5	DG 1710 18	Bearing - Needle	2	--	--	
6	DG 1710 19	Seal - Oil	4	--	--	
7	DK 1710 06	Sleeve For Swing Arm	2	--	--	
8	JZ 1220 11	Shaft Swing Arm	1	--	--	
9	DG 1710 17	Nut	1	--	--	
10	JZ 1138 06	Cap For Swing Arm Pivot	2	--	--	
11	JZ 1220 05	Chain Slider	1	--	--	
12	39 0553 02	Screw - Self Tapping	2	--	--	
13	39 0454 11	Washer - Plain	2	--	--	
14	JL 1812 25	Grommet li	1	--	--	
15	JZ 1220 08	Adjuster Chain - RH	2	--	--	
16	JZ 1220 12	Plate Chain Adjuster	2	--	--	
17	39 0292 15	Nut - Hexagon : M6 X 1	4	--	--	

Swing Arm / Rear Shock Absorber (125 T & 100 T)



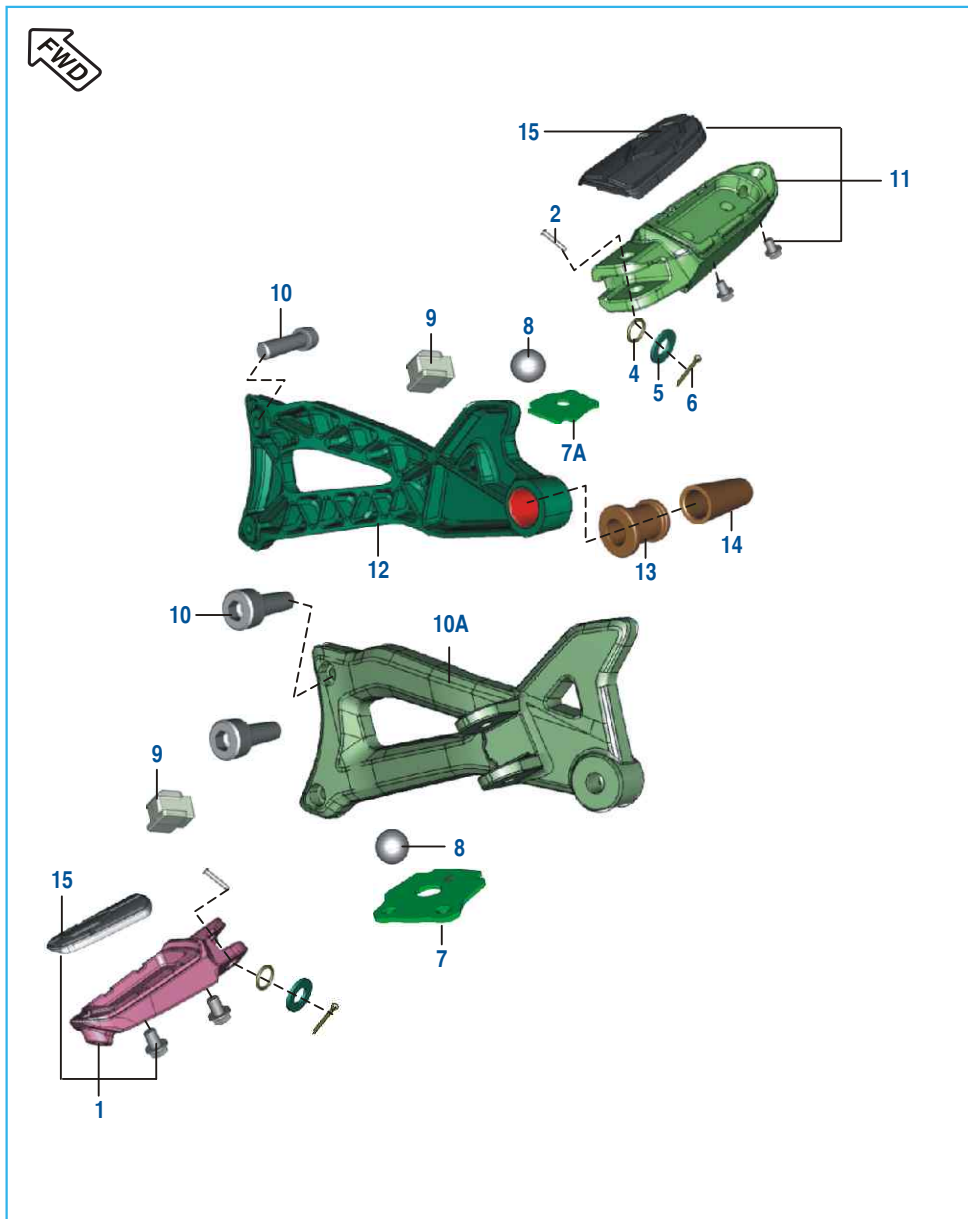
No.	Part No.	Description	Qty.			Remarks
			125 ST	125 T	100 T	
1	JB 1220 09	Domed Cap Nut	--	2	2	
2	39 2726 12	Spring Washer	--	2	2	
3	JB 1220 11	Plain Washer	--	2	2	
4	JB 1220 10	Plain Washer	--	4	4	
5	PA 1220 09	Rear Shock Absorber	--	2	2	
6	JB 1220 16	Hex Bolt / Flange - M10	--	2	2	
7	39 1358 15	Flanged Nut	--	1	1	
8	DP 1710 06	Bush	--	2	2	
9	PA 1110 30	Sleeve Swing Arm Pivot	--	1	1	
10	39 0553 02	Screw	--	2	2	
11	39 0454 11	Plain Washer	--	2	2	
12	PA 1220 14	Chain Slider	--	1	1	
13	PA 1220 15	Shaft Swing Arm	--	1	1	
14	PA 1220 13	Swing Arm Assly	--	--	1	
	PA 1220 10	Swing Arm Assly	--	1	--	
15	DJ 1510 36	Adjuster Chain LH	--	1	1	
16	DJ 1510 37	Adjuster Chain RH	--	1	--	
	DX 1510 14	Adjuster Chain RH	--	--	1	
17	DJ 1510 47	Plate Chain Adjuster	--	2	2	
18	39 0292 15	Hexagon Nut	--	4	4	

Rider Foot Rest



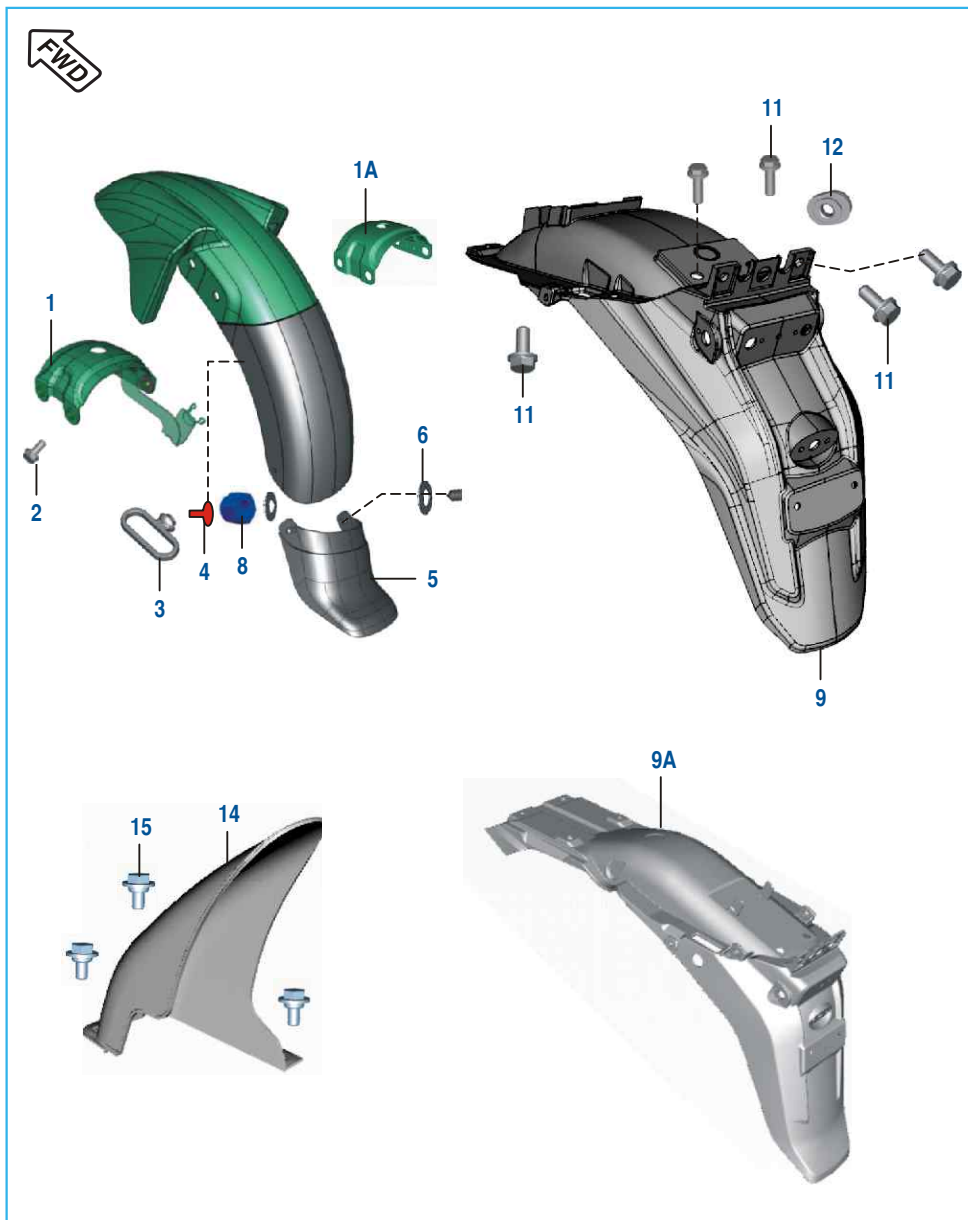
No.	Part No.	Description	Qty.			Remarks
			125 ST	125 T	100 T	
1	JZ 1130 28	Assly Main Step RH	1	--	1	Ser Cir NP-28
	PA 1130 53	Assly Main Step RH	--	1	1	
2	JZ 1130 36	Pin Main Step	2	2	2	
3	JZ 1130 39	Spring Torsion	2	2	2	
4	30 1410 31	'O' ring	2	2	2	
5	39 1040 11	Washer Plain	2	2	2	
6	39 0784 08	Pin Spit	2	2	2	
7	JL 1130 28	Rubber Pad	2	2	2	
8	39 1791 04	Bolt Flanged M6X8	4	4	4	
9	JZ 1130 21	Stay RH Main Step	1	1	1	Ser Cir NP-28
10	JZ 1130 27	Assly Main Step LH	1	--	1	
	PA 1130 51	Assly Main Step LH	--	1	1	
11	JZ 1130 35	Rubber	2	2	2	
12	JZ 1610 24	Damper Brake Lever	1	1	1	
13	39 2671 04	Hexgoan Bolt	1	1	1	
14	30 1910 38	Pin	1	1	1	
15	39 0198 11	Washer	1	1	1	
16	39 0808 08	Split Pin	1	1	1	
17	DH 1611 94	Kick Stopper	1	1	1	
18	39 2310 04	Bolt Flange	4	4	4	
19	39 2659 12	Spring Washer	4	4	4	
20	JZ 1130 20	Stay LH Main Step	1	--	--	
	PA 1130 30	Stay LH Main Step	--	1	1	

Pillion Foot Rest / Holder Step



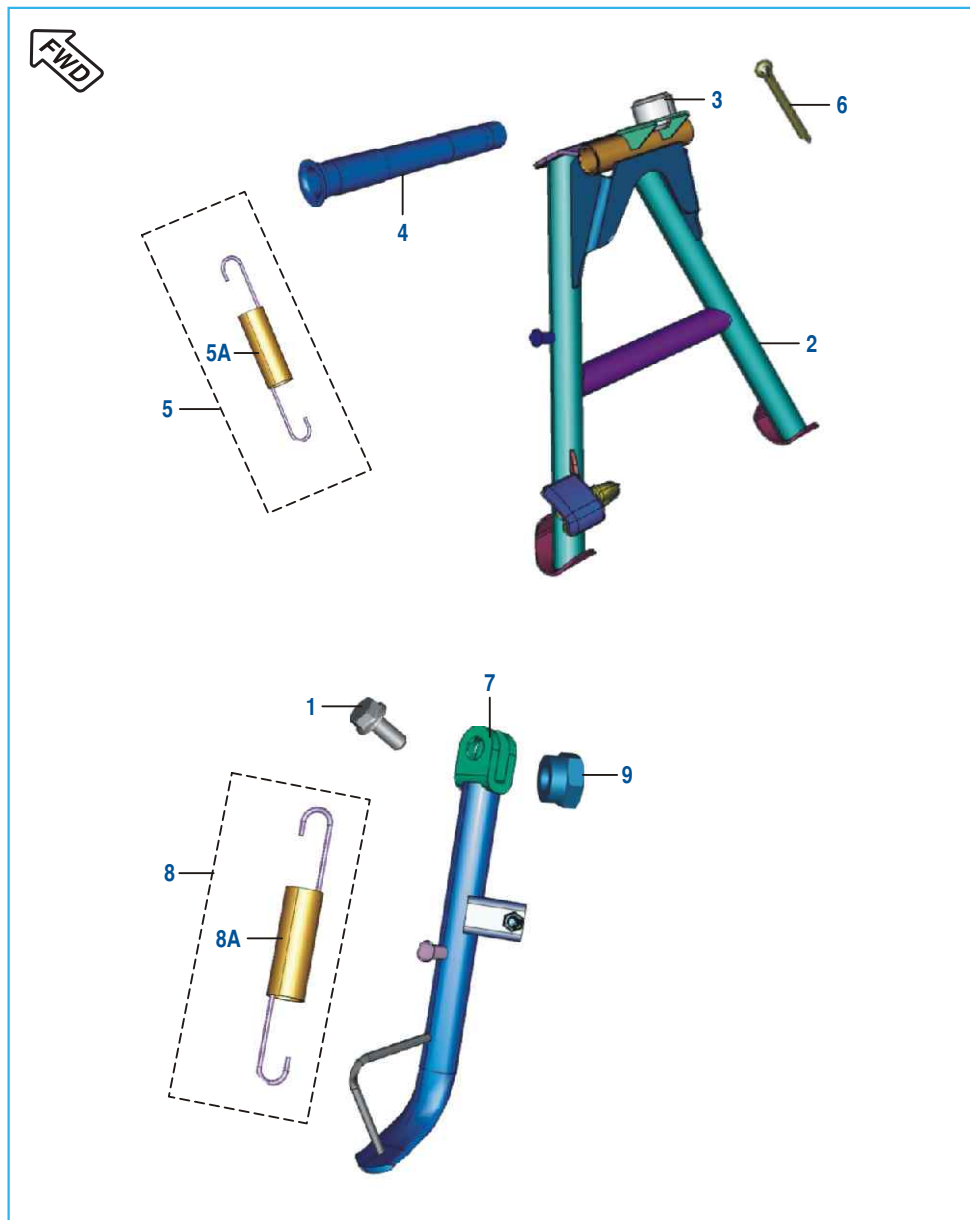
No.	Part No.	Description	Qty.			Remarks
			125 ST	125 T	100 T	
1	JZ 1130 31	Assly Pillion Step LH	1	--	1	
	PA 1130 55	Assly Pillion Step LH	--	1	1	Ser Cir NP-28
2	JD 1130 19	Pin Foot Step	2	2	2	
3	GF 1611 43	Spring	2	2	2	N.I.
4	30 1410 31	'O' Ring	2	2	2	
5	39 1040 11	Washer Plain	2	2	2	
6	39 0784 08	Pin Split	2	2	2	
7	PA 1130 42	Plate Lock LH	1	1	1	
7A	PA 1130 43	Plate Lock RH	1	1	1	
8	30 1012 36	Ball	2	2	2	
9	JL 1130 28	Rubber Pad Step LH	2	2	2	
10	LA C000 05	Bolt Socket	4	4	4	
10A	JZ 1130 23	Holder Step LH	1	--	1	
	PA 1130 48	Holder Step LH	--	1	1	Ser Cir NP-28
11	JZ 1130 32	Assly Pillion Step RH	1	--	1	
	PA 1130 57	Assly Pillion Step RH	--	1	1	Ser Cir NP-28
12	JZ 1130 26	Holder Step RH	1	--	1	
	PA 1130 49	Holder Step RH	--	1	1	Ser Cir NP-28
13	JZ 1130 42	Damper Silencer	1	1	1	
14	DH 1611 57	Tube Silencer Mounting	1	1	1	
	DJ 1612 78	Tube Silencer Mounting	1	1	1	with washer
15	JZ 1130 35	Rubber Pillion Footrest RH	2	2	2	
16	36 JL00 15	Kit Hardware	2	2	2	Includes 2,4,5,6

Mudguard - Front & Rear



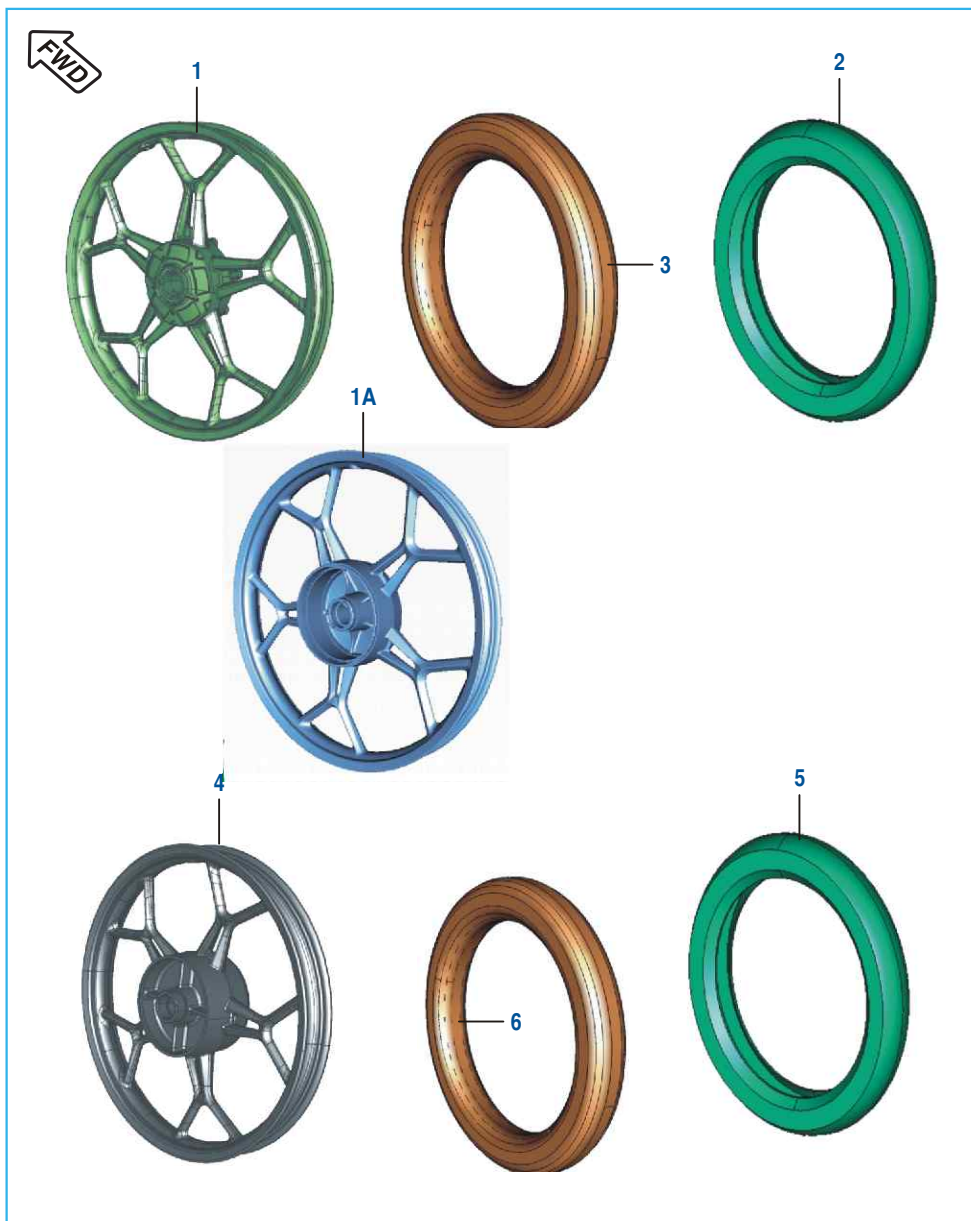
No.	Part No.	Description	Qty.			Remarks
			125 ST	125 T	100 T	
1	JZ 1814 15	Fender Brace	1	1	1	Disc Brake
1A	PA 1814 05	Fender Brace	--	1	1	Drum Brake
2	59 0400 19	Bolt Hex With Flange -	4	4	4	M8x1.25
3	DS 1611 25	Guide - Cable	1	1	1	
4	DJ 1610 69	Nail - Cable Guide	1	1	1	
5	JZ 1814 16	Flap Front Fender	1	1	1	
6	39 0242 11	Washer - Plain	6	6	6	
7	39 2420 01	Screw - Pan Head : M5	3	3	3	
8	39 0326 15	Nut - Nyloc :- M5 X 0.8	3	3	3	
9	JZ 1814 19	Fender Rear Rr	1	--	--	
9A	PA 1814 00	Fender Rear Rr	--	1	1	
10	DJ 2011 73	Grommet	3	3	3	
11	LA E000 22	Bolt Flanged	6	6	6	Rear Fender Mtg.
12	DH 1611 58	Grommet	1	1	1	
14	PA 1814 03	Hugger Front	--	1	1	
15	JB 2312 08	Step Bolt	--	1	3	
	DS 1612 24	Bolt Step	2	1	2	

Stand Assembly



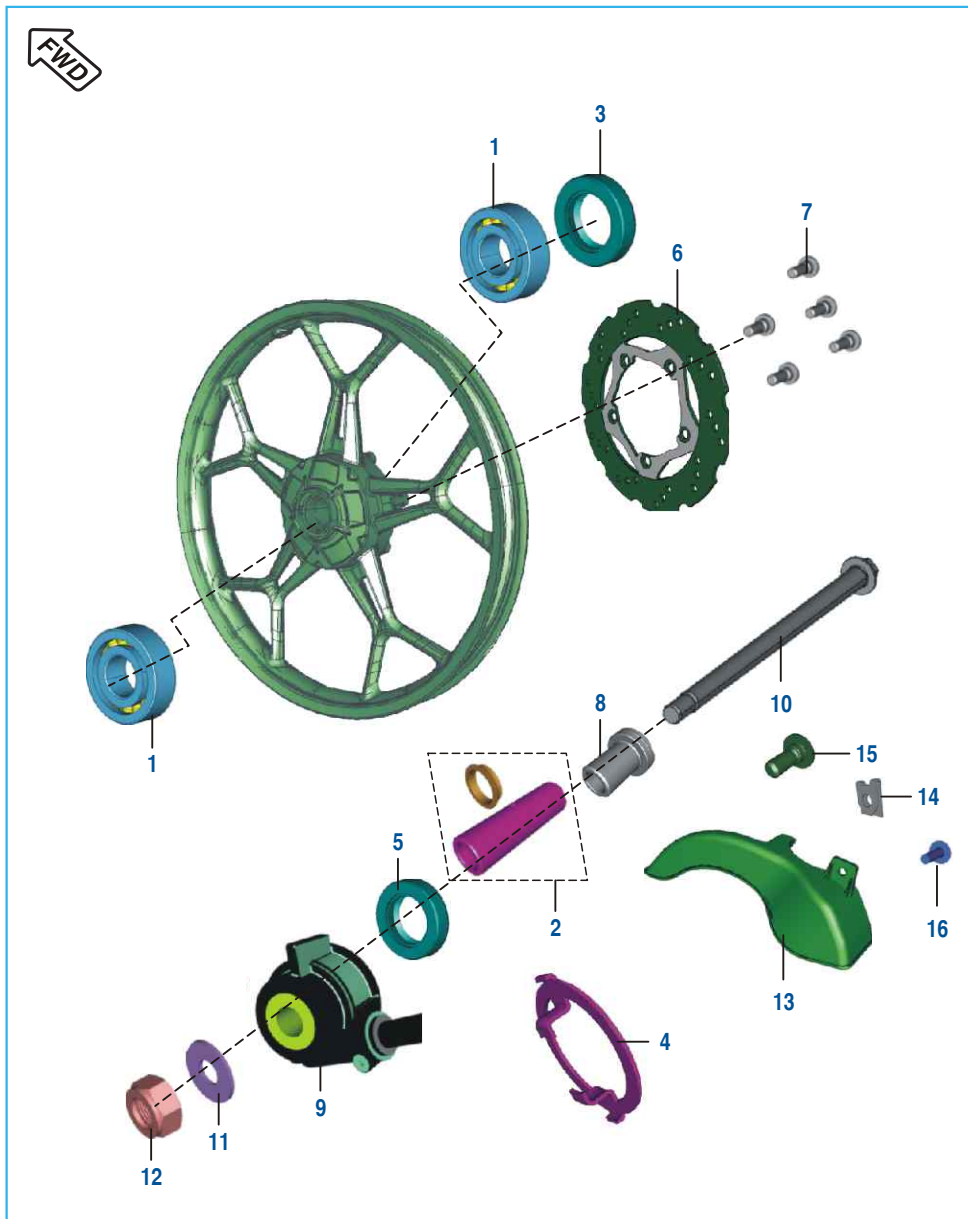
No.	Part No.	Description	Qty.			Remarks
			125 ST	125 T	100 T	
1	DF 1611 02	Bolt For Side Stand Mtg.	1	1	1	
2	JZ 1132 03	Stand Center	1	--	--	
	PA 1132 06	Stand Center	--	1	1	
3	JZ 1132 06	Damper Center Stand	1	--	--	
	PA 1132 04	Damper Center Stand	--	1	1	
4	JZ 1132 07	Shaft Center Stand	1	--	--	B-26-11/02/2013
	JZ 1132 14	Shaft Center Stand	1	1	1	
5	JZ 1132 09	Spring M-Stand With Cover	1	1	1	
5A	JZ 1132 12	Cover Spring	1	1	1	
6	39 0797 08	Pin - Cotter	1	1	1	
7	JZ 1132 04	Stand Side	1	1	1	
8	JZ 1132 10	Spring S-Stand With Cover	1	1	1	
8A	JZ 1132 11	Cover Spring Side Stand	1	1	1	
9	39 0422 15	Nut - Nyloc :- M10	1	1	1	

Tube / Tyre / Rim



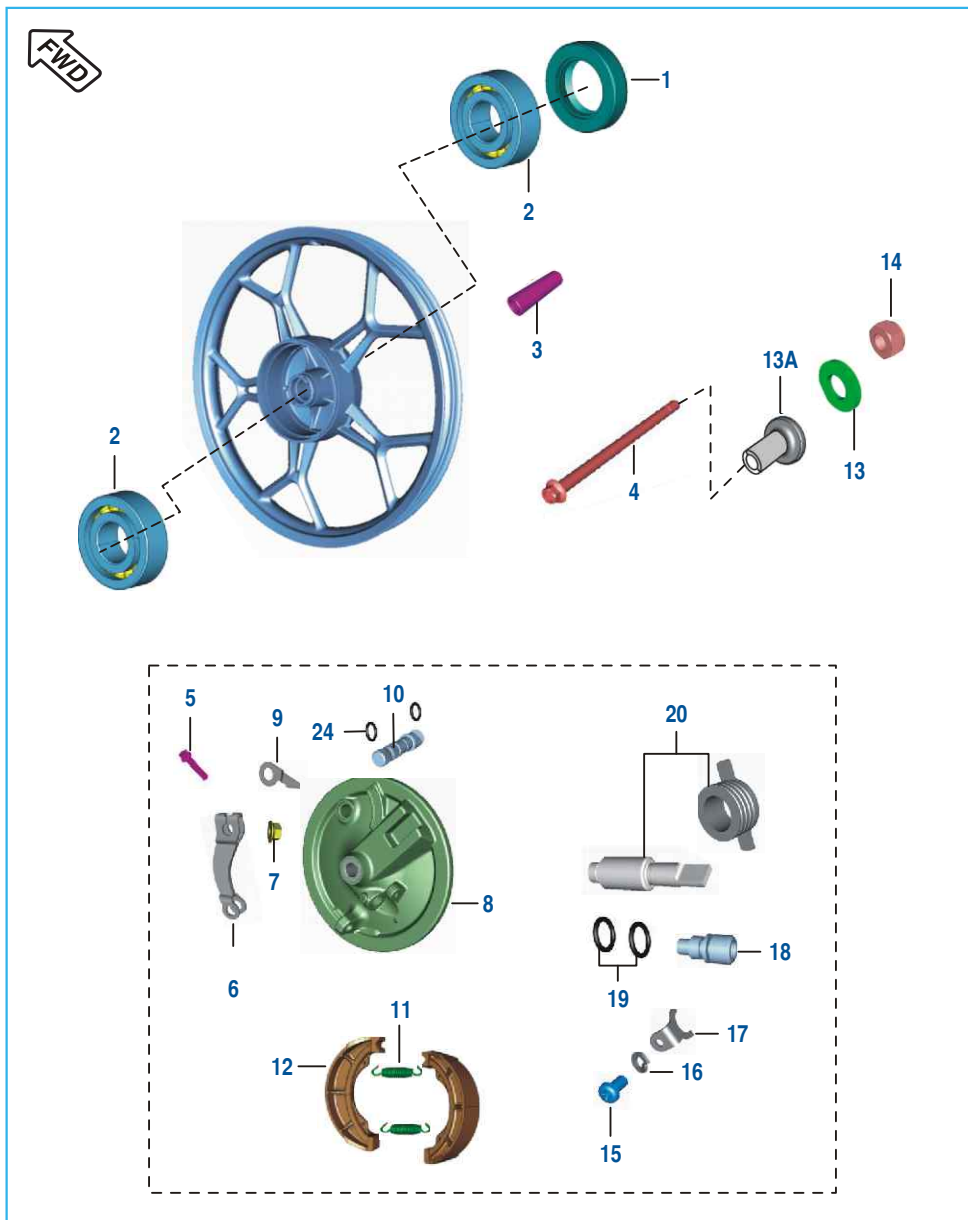
No.	Part No.	Description	Qty.			Remarks
			125 ST	125 T	100 T	
1	JZ 1310 28	Wheel Front 1.4X17	1	1	1	Disc Brake
1A	JZ 1310 26	Wheel Front 1.4X17	--	1	1	Drum Brake
2	DS 1510 48	Tyre 2.75 X 17	1	--	1	Not Serviceable in Spare
	DM 1510 25	Tyre 2.75 X 17	--	1	1	Not Serviceable in Spare
3	DS 1510 49	Tube - 2.75 X 17	1	1	1	Not Serviceable in Spare
4	JZ 1312 24	Wheel Rear 1.6X17	1	1	--	
	PA 1312 15	Wheel Rear 1.6X17	--	--	1	
5	DS 1510 52	Tyre 3.00 X 17	1	--	--	Not Serviceable in Spare
	DM 1510 28	Tyre 3.00 X 17	--	1	1	Not Serviceable in Spare
6	DS 1510 53	Tube - 3 X 17	1	1	1	Not Serviceable in Spare

Front Hub (Disc brake)



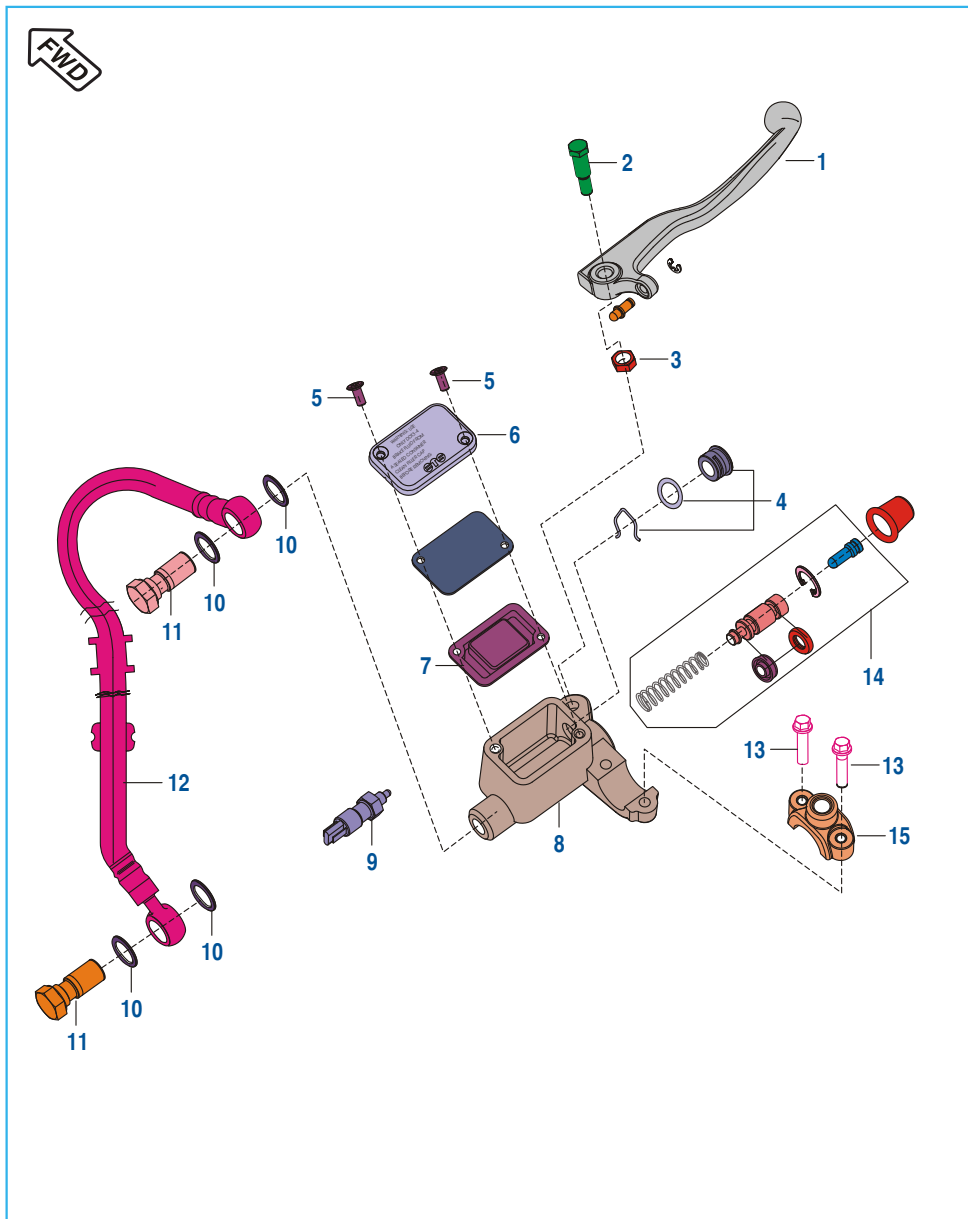
No.	Part No.	Description	Qty.			Remarks
			125 ST	125 T	100 T	
1	39 2688 20	Bearing - Ball 6301 RS1/C3	2	2	--	(12X37X12)
	KP BB63 01	Bearing - Ball C3	--	--	2	
2	DE 1510 06	Spacer Assembly	1	1	--	
3	30 1510 33	Seal - Oil	1	1	1	
4	DE 1510 12	Plate - Drive For	1	1	1	Speedometer Gear
5	DE 1510 08	Seal - Oil	1	1	1	
6	JZ 1318 18	Disc Brake - 200 Mm	1	1	1	
7	LA C000 02	Socket Head Bolt M-6, 10.9	5	5	1	
8	JN 1310 03	Spacer	1	1	1	
9	JZ 1316 01	Case Meter Assy - Gear	1	1	1	
10	JB 1310 17	Axle Front	1	1	1	
11	JB 1310 18	Plain Washer	1	1	1	
12	59 1500 03	U Nut M12	1	1	1	
13	JW 1812 41	Cover Disc	1	1	1	
14	JN 1812 11	Clip Nut - M6	1	1	1	Disc Cover Mtg.
15	LB U000 04	Step Bolt - M5x12L- 4.8	1	1	1	Disc Cover Mtg.
16	LB U000 05	Screw Truss- M6x35 L,4.8	1	1	1	Disc Cover Mtg.

Front Hub (Drum Brake)



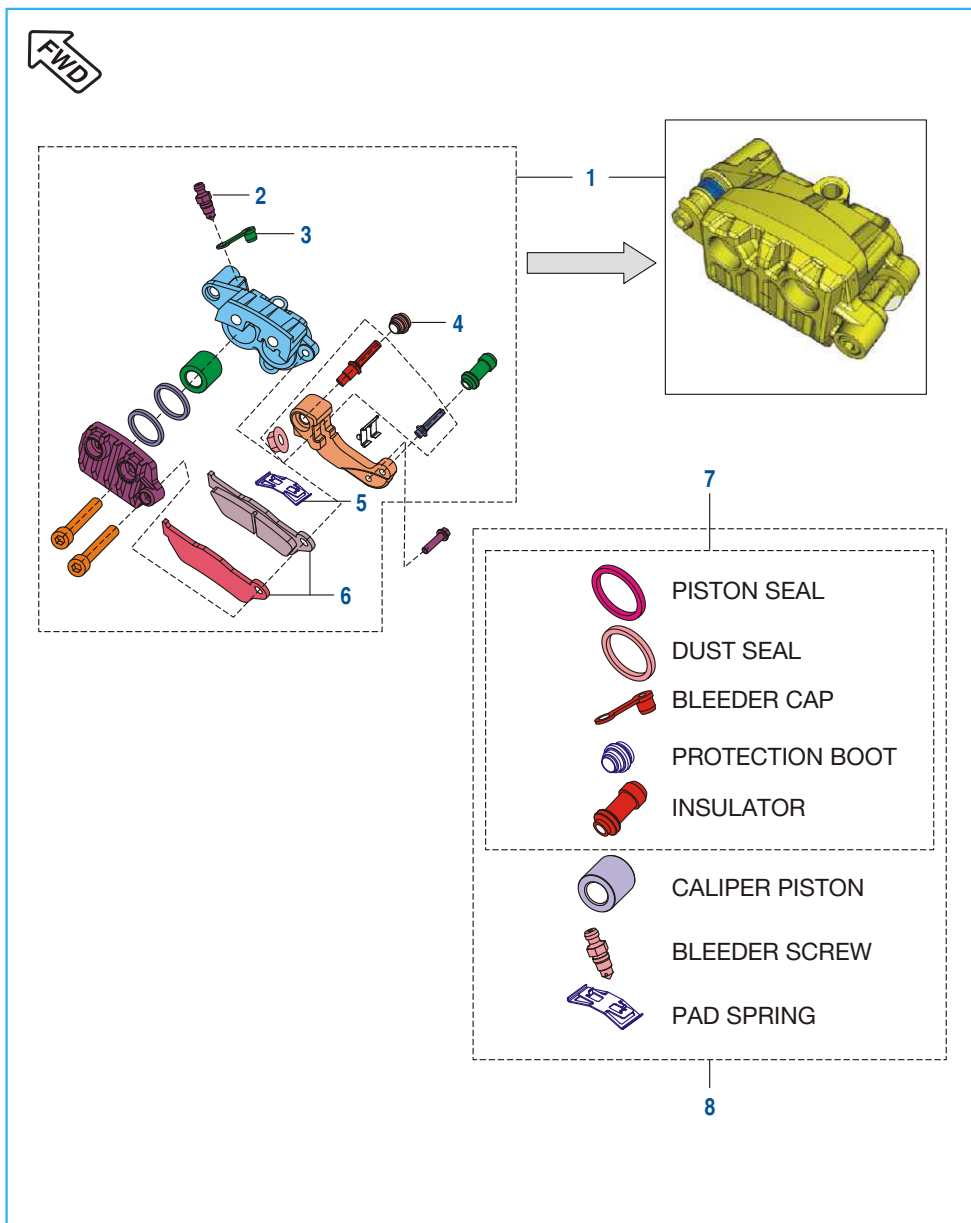
No.	Part No.	Description	Qty.			Remarks
			125 ST	125 T	100 T	
1	30 1510 33	Oil Seal	--	1	1	
2	39 2688 20	Bearing Ball	--	1	1	
3	30 1510 32	Collar Bearing	--	1	1	
4	JB 1310 17	Axle Front Wheel	--	1	1	
5	DS 1510 95	Bolt	--	1	1	
6	DS 1510 92	Lever Brake Cam	--	1	1	
7	DS 1510 94	Nut	--	1	1	
8	DS 1510 87	Panel Assly Front Brake	--	1	1	
9	DS 1510 91	Indicator	--	1	1	
10	DS 1510 89	Cam Brake Assly.	--	1	1	
11	30 1510 69	Spring	--	2	2	
12	30 1511 05	Shoe Brake	--	2	2	
13	JB 1310 18	Plain Washer	--	1	1	
13A	JB 1310 22	Spacer + Dust Seal	--	1	1	
14	59 1500 03	U Nut (M12)	--	1	1	
15	39 0840 01	Pan Headed Screw	--	1	1	
16	39 0900 12	Washer Spring	--	1	1	
17	30 1511 18	Stopper for Bushing	--	1	1	
18	JA 1316 06	Bushing Speedo Gear	--	1	1	
19	39 1013 21	'O' Ring	--	2	2	Speedo Cable
20	36 DS 15 02	Speedometer Gear Kit	--	1	1	
21	30 1510 35	Seal Oil	--	1	1	N.I.
22	30 1510 42	Washer Plain	--	2	2	Gear Meter Screw
23	LB D000 01	Screw	--	1	1	To Secure
24	30 1510 38	Ring 'O'	--	2	2	

Front Master Cylinder (Disc brake)



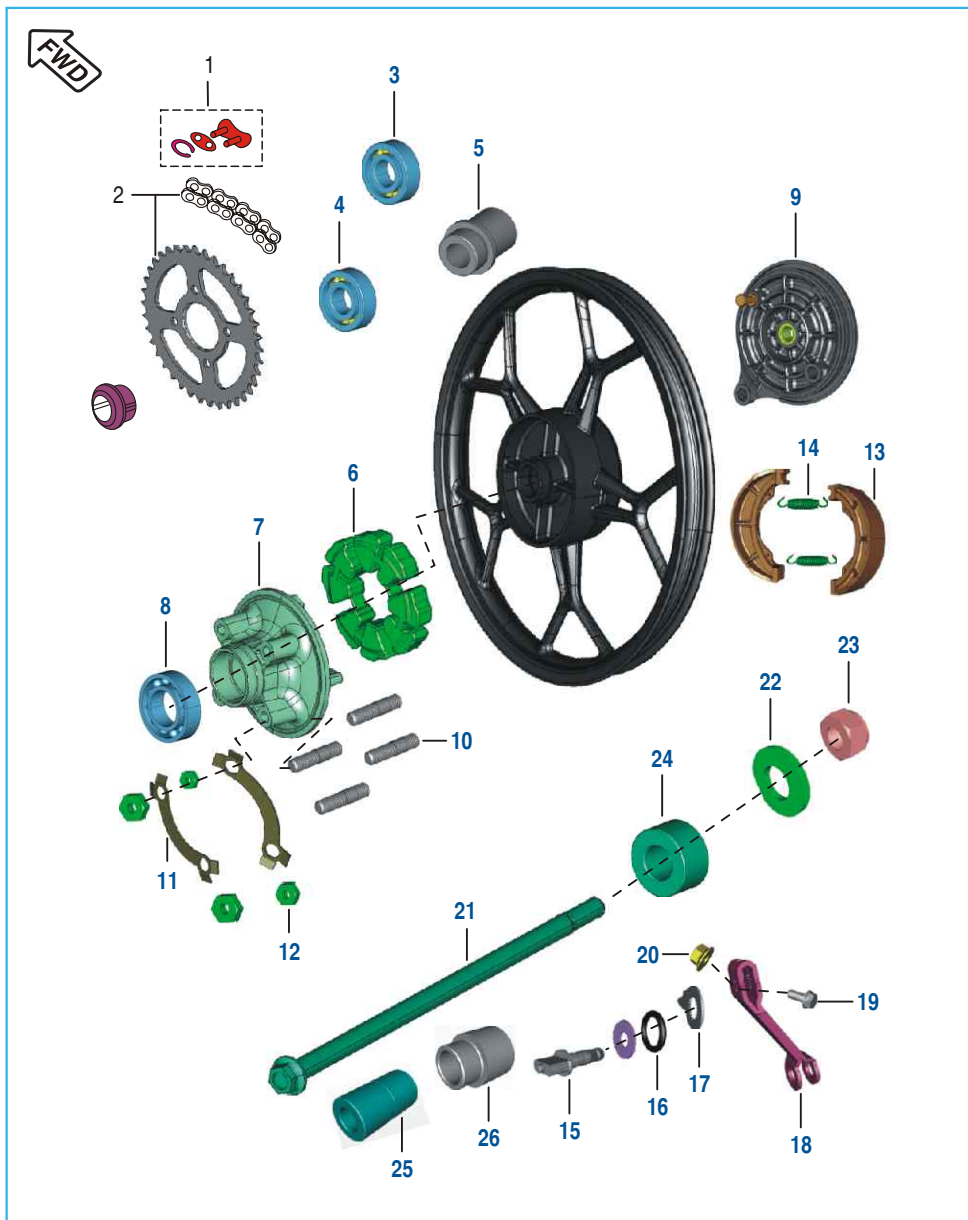
No.	Part No.	Description	Qty.			Remarks
			125 ST	125 T	100 T	
1	DJ 1910 06	Lever Front Brake	1	1	1	
2	DJ 1910 29	Bolt Front Bracket I	1	1	1	Endurance System.
3	DJ 1910 30	Nut	1	1	1	
4	DE 1910 35	Oil Window Kit	1	1	1	
5	DJ 1910 31	Screw	2	2	2	
6	DJ 1910 34	Cover - Reservoir	1	1	1	Endurance System.
7	DJ 1910 35	Diaphragm	1	1	1	Endurance System.
8	DJ 1910 58	Master Cylinder with lever	1	1	1	
9	DJ 2011 09	Switch	1	1	1	Endurance System.
10	DJ 1910 25	Washer - Copper	4	4	4	Endurance System.
11	DJ 1910 26	Bolt - Banjo	2	2	2	Endurance System.
12	JW 1318 05	Hose Assembly	1	1	1	
13	LA D000 37	Bolt Flanged M8X1X50	2	2	2	
14	36 DJ40 31	Major Kit Major Master Cyl	1	1	1	
15	DJ 1910 27	Clamp - Holder : RH	1	1	1	Endurance System.

Front Disc Brake (Disc brake)



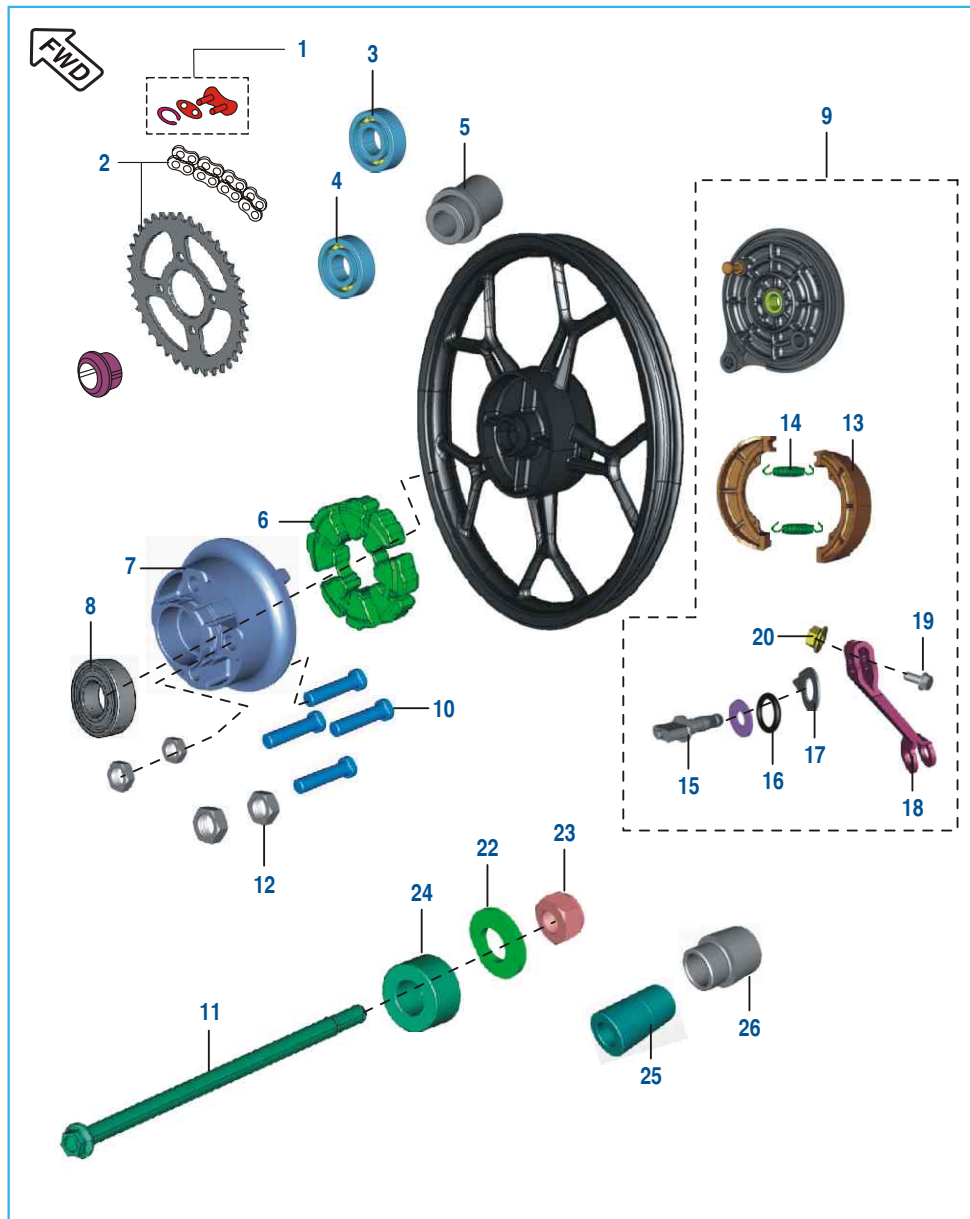
No.	Part No.	Description	Qty.			Remarks
			125 ST	125 T	100 T	
1	JW 1318 01	Caliper Assy Brake Front	1	1	1	
2	DE 1510 46	Screw Bleeder	1	1	1	
3	DE 1510 47	Bleeder Cap	1	1	1	
4	JL 1318 07	Boot	1	1	1	
5	DE 1510 48	Spring	1	1	1	
6	JW 1318 07	Pad	1	1	1	
7	36 DJ40 32	Minor Kit	1	1	1	
8	36 DJ40 33	Major Kit	1	1	1	

Rear Hub (125 ST)



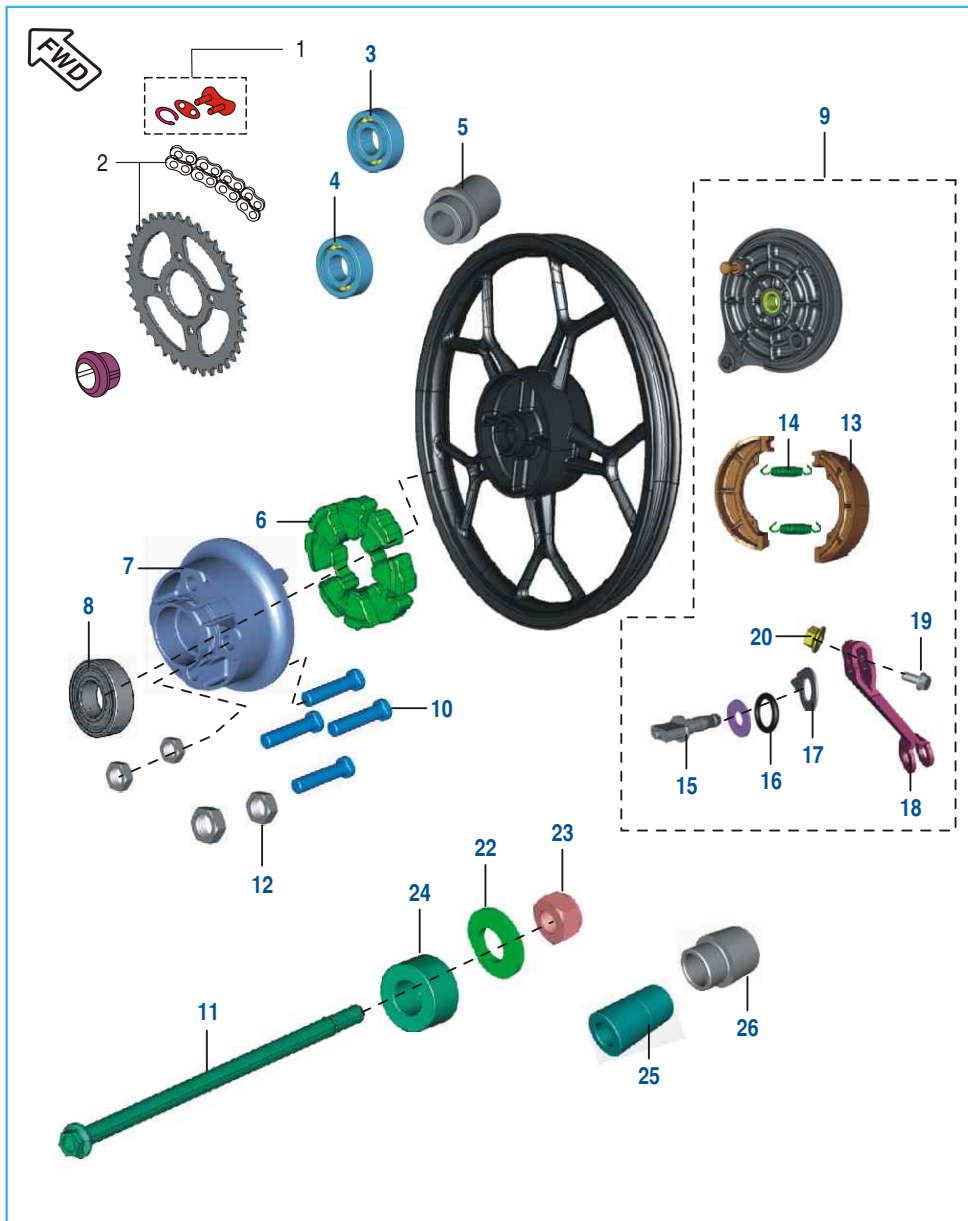
No.	Part No.	Description	Qty.			Remarks
			125 ST	125 T	100 T	
1	JD 1410 03	Drive Chain Lock	1	--	--	
2	36 JZ00 80	Kit Chain Sprocket	1	--	--	Refer Page No.121
3	39 2686 20	Bearing-Ball	1	--	--	
4	39 2687 20	Bearing-Ball	1	--	--	
5	30 1510 75	Collar-Bearing	1	--	--	
6	DK 1510 94	Coupling Rubber	1	--	--	
7	JN 1312 03	Coupling	1	--	--	
8	39 2240 20	Ball Bearing	1	--	--	
9	JZ 1318 13	Panel Rear Brake	1	--	--	
10	DS 1510 73	Stud	4	--	--	
11	PF 1312 20	Washer Lock	2	--	--	
12	LC B000 05	Nut Hex A/F	4	--	--	
13	30 1511 05	Shoe Brake	2	--	--	
14	30 1510 69	Spring	2	--	--	
15	30 1510 11	Cam Brake	1	--	--	
16	30 1510 38	'O' Ring	1	--	--	
17	DS 1510 90	Indicator	1	--	--	
18	JZ 1318 03	Lever Cam Brake	1	--	--	
19	JB 1312 24	Hex Bolt with Flange	1	--	--	
20	DS 1510 94	Flange Nut	1	--	--	
21	JZ 1312 17	Axle Rear	1	--	--	
22	LD B000 01	Washer Plain	2	--	--	
23	DH 1710 19	Nut - U :- Swing Arm	1	--	--	
24	JD 1312 10	Collar Assy	1	--	--	
25	DX 1510 22	Collar	1	--	--	
26	JD 1312 12	Sleeve	1	--	--	

Rear Hub (125 T & 100 T)

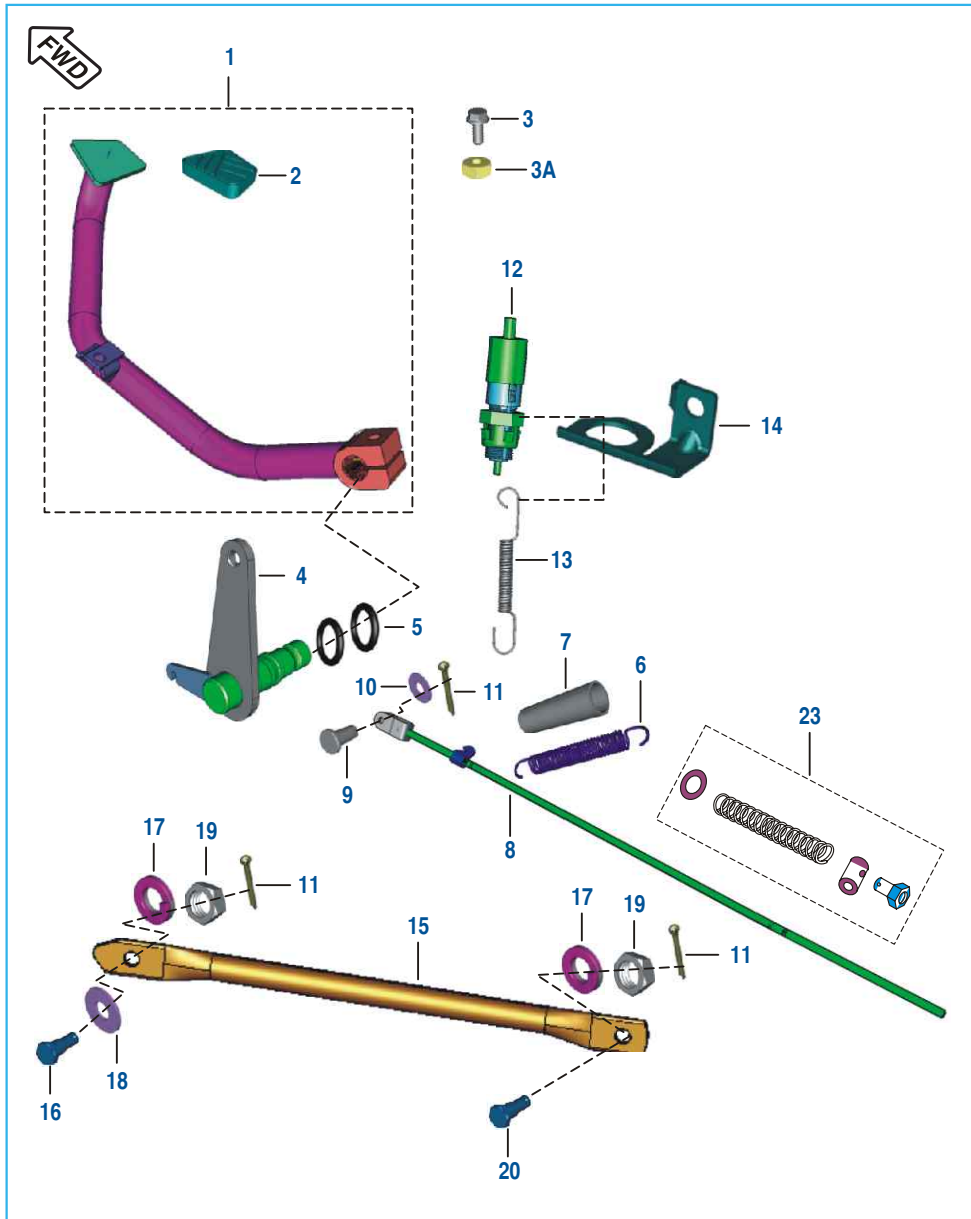


No.	Part No.	Description	Qty.			Remarks
			125 ST	125 T	100 T	
1	JD 1410 03	Drive Chain Lock	--	1	1	
2	36 PA00 95	Kit Chain Sprocket	--	--	1	Refer Page No.123
	36 PA01 13	Kit Chain Sprocket	--	1	--	Refer Page No.126
3	39 2688 20	Bearing-Ball C3	--	1	1	
4	KP BB62 01	Bearing-Ball C3	--	1	1	
5	30 1510 75	Collar-Bearing	--	1	1	
6	PA 1312 63	Coupling Rubber	--	--	1	
	DK 1510 94	Coupling Rubber	--	1	--	
7	PA 1312 08	Coupling	--	--	1	
	DS 1510 68	Coupling	--	1	--	
8	39 2240 20	Ball Bearing	--	1	1	
9	PA 1318 31	Panel Rear Brake	--	1	1	
10	PA 1312 61	D Bolt	--	4	4	
11	PA 1312 23	Axle Rear	--	--	1	
	PA 1312 24	Axle Rear	--	1	--	
12	LC L000 03	Nut U Flange	--	4	4	
13	31 1510 07	Shoe Brake	--	2	2	
14	30 1510 69	Spring	--	2	2	
15	JB 1312 23	Cam Brake Assly.	--	1	1	
16	30 1510 38	'O' Ring	--	1	1	
17	30 1510 05	Wear Indicator	--	1	1	
18	PA 1318 09	Lever Cam Brake	--	1	1	
19	JB 1312 24	Hex Bolt with Flange	--	1	1	
20	DS 1510 94	Flange Nut	--	1	1	
21	JB 1312 25	Hex Nut M18	--	1	1	N.I.
22	LD B000 30	Washer Plain	--	--	1	
	LD B000 28	Washer Rear Axle RH	--	1	--	
23	59 1500 03	Nut - U M12	--	--	1	
	DJ 1710 33	Nut - U M12	--	1	--	

Rear Hub (125 T & 100 T)



No.	Part No.	Description	Qty.			Remarks
			125 ST	125 T	100 T	
24	PA 1312 16	Collar Assy	-	-	1	
	PA 1312 21	Collar Assy	-	1	-	
25	PA 1312 17	Collar	-	1	1	
26	PA 1316 05	Sleeve	-	-	1	
	JZ 1318 11	Sleeve	-	1	-	
27	DX 1510 15	Plain Washer	-	1	-	N.I.
	LD B000 29	Washer Rear Axle RH	-	1	-	
28	LC A000 01	Nut Hex M20X1X12	-	1	-	



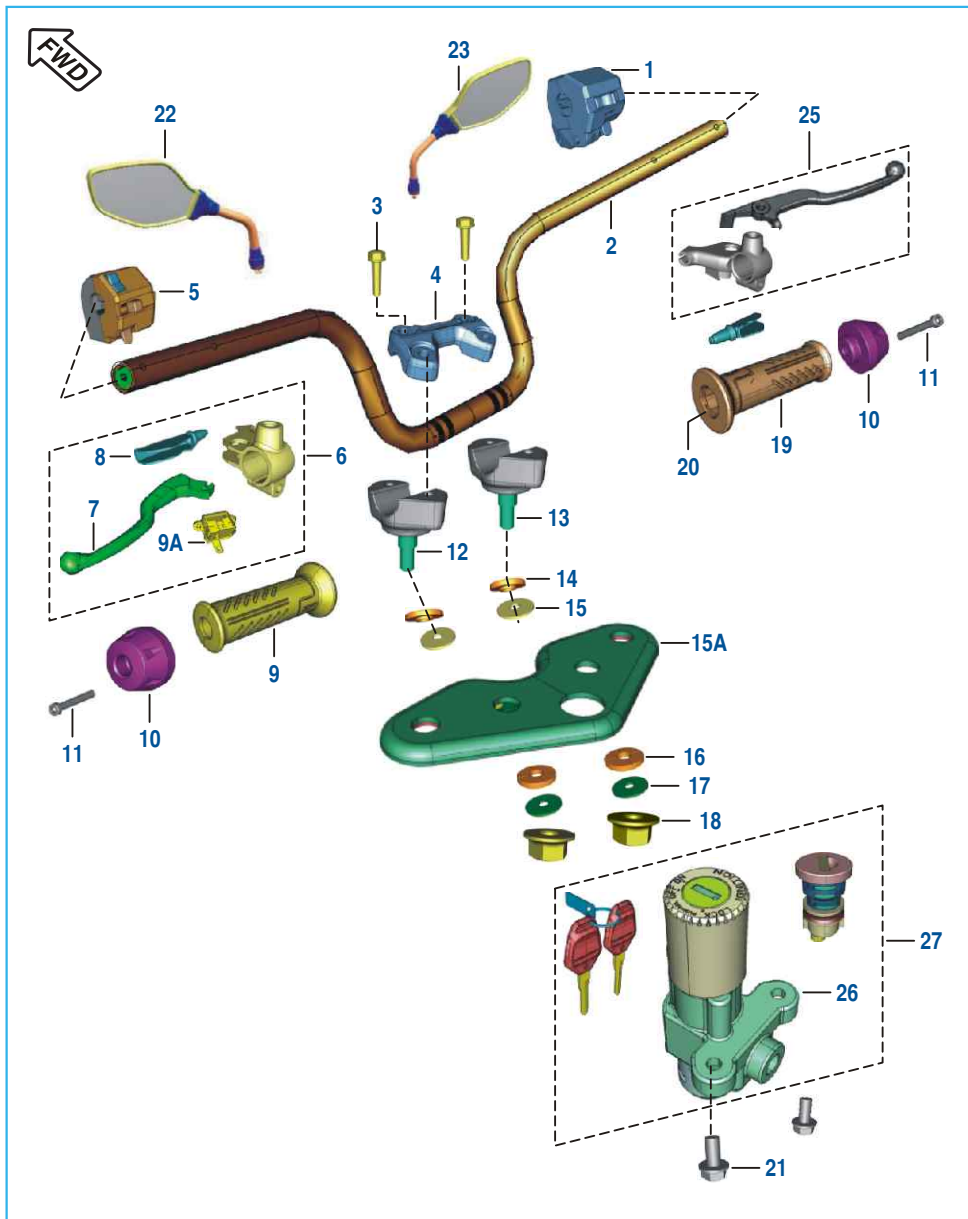
 Front Wheel Direction

Rear Brake Pedal

No.	Part No.	Description	Qty.			Remarks
			125 ST	125 T	100 T	
1	JZ 1610 09	Assembly Brake Pedal	1	--	--	
	PA 1610 01	Lever Brake Pedal	--	1	1	
2	JZ 1610 19	Pad Brake Pedal	1	1	1	
3	39 1063 01	Screw Hex Head	1	1	1	
3A	39 0292 15	Nut M6	1	1	1	
4	JZ 1610 11	Shaft Assly Brake Lever	1	1	1	
5	39 1537 21	Ring - O	2	2	2	
6	JD 1610 02	Spring Brake Pedal	1	1	1	
7	JD 1610 06	Sleeve Brake Return Spring	1	1	1	
8	JZ 1318 10	Brake Rod	1	--	--	
	PA 1318 28	Brake Rod	--	1	1	
9	JZ 1318 75	Pin Brake Rod	1	1	1	
10	39 0198 11	Washer - Plain	1	1	1	
11	39 0808 08	Pin - Split	3	3	3	
12	31 2010 79	Rear Brake Switch	1	1	1	
13	JM 1910 14	Spring Brake Switch	1	1	1	
15	DS 1510 25	Rod - Torque	1	--	--	
	DJ 1510 42	Rod - Torque	--	1	1	
16	DH 1510 29	Bolt - Step :- Torque Rod	1	1	1	
17	39 0789 12	Washer - Spring	2	2	2	
18	39 1540 11	Washer - Plain	1	1	1	
19	39 0694 15	Nut - Hexagon Lock	2	2	2	M8 X 1.25
20	30 1510 96	Bolt - Hexagon	1	1	1	
21	36 DK00 17	Kit Hardware Br Rod	1	1	1	Refer Page No.124

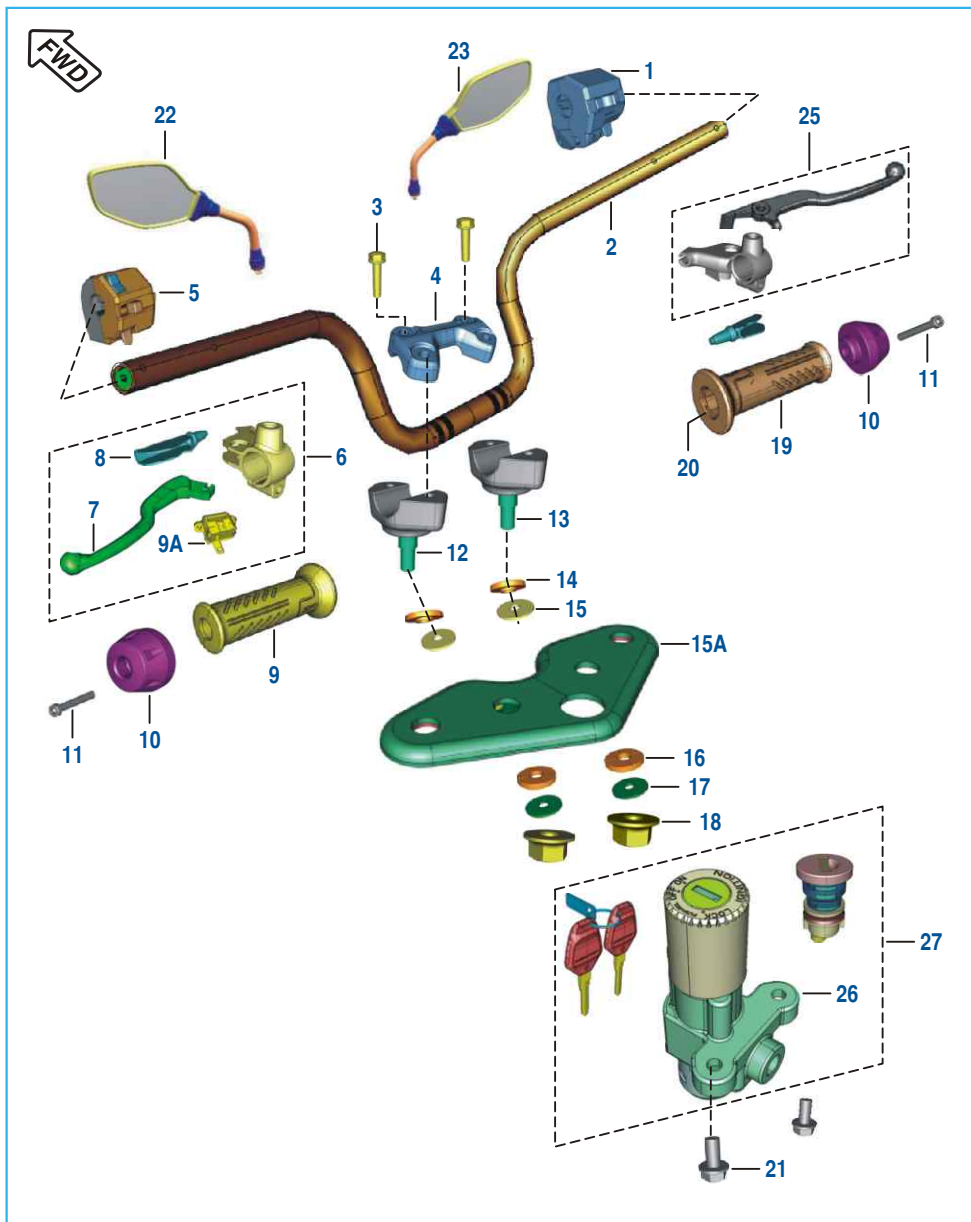
Brand ID: 001MC649 (DISCOVER 125 ST)  
 Brand ID: 001MC661 (DISCOVER 125 T)  
 Brand ID: 001MC639 (DISCOVER 100 T)

Handle Bar Assly



No.	Part No.	Description	Qty.			Remarks
			125 ST	125 T	100 T	
1	PA 4014 05	Control Switch RH	1	1	1	
2	JZ 1510 70	Handle Bar	1	1	1	
3	39 1714 04	Bolt - Flanged	4	4	4	
4	JZ 1810 07	Holder Handle	1	--	1	
	PA 1810 01	Holder Handle Upper	--	1	1	Ser Cir NP-28
5	JB 4014 00	Control Switch LH	1	1	1	
6	PA 4014 00	Lever & Support Holder	1	1	1	Asy LH
	JZ 1610 23	Lever & Support Holder	--	--	1	Ser Cir NP-28
7	DJ 1910 55	Lever Grip Left	1	1	1	
8	DS 1910 52	Lever Boot LH For	1	1	1	Clutch Switch
9	JZ 1510 64	Hand Grip LH	1	1	1	
9A	PA 4014 01	Clutch Switch	1	1	1	DJ201246-Vertical Base
	JZ 4014 03	Clutch Switch	--	--	1	Ser Cir NP-28
10	JZ 1510 69	Handle Bar Weight	2	2	2	
11	LA C000 31	Bolt Socket	2	2	2	
12	JZ 1810 13	Holder Lower LH	1	--	1	
	PA 1810 00	Holder Lower LH	--	1	1	Ser Cir NP-28
13	JZ 1810 12	Holder Lower RH	1	--	1	
	PA 1810 02	Holder Lower RH	--	1	1	Ser Cir NP-28
14	DS 1810 07	Washer Handle Upper	2	2	2	
15	JZ 1510 78	Damper Upper	2	2	2	
15A	JZ 1510 45	Holder Fork Upper	1	1	1	
16	JZ 1510 79	Damper Lower	2	2	2	
17	DS 1510 10	Washer	2	2	2	

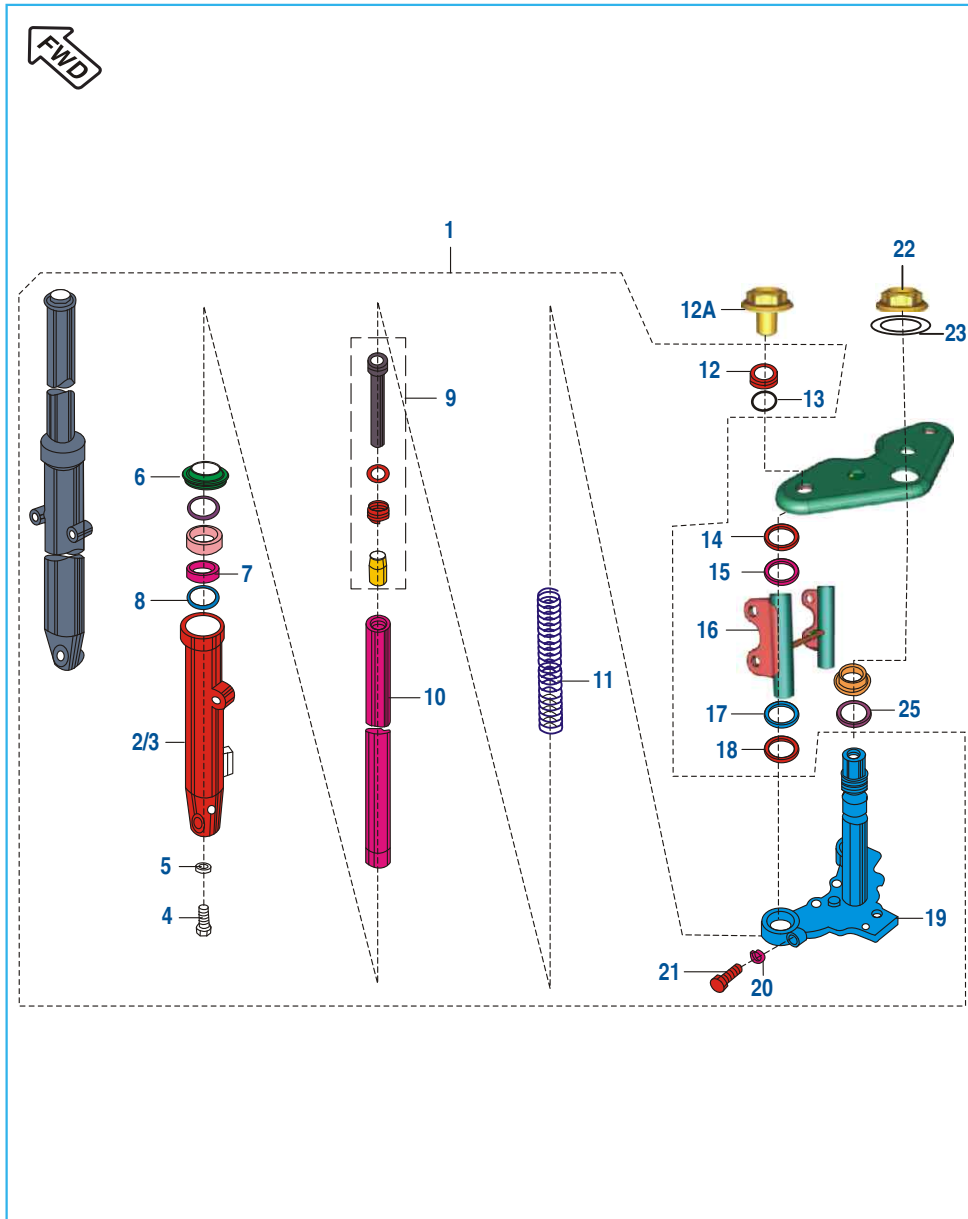
Handle Bar Assly



 Front Wheel Direction

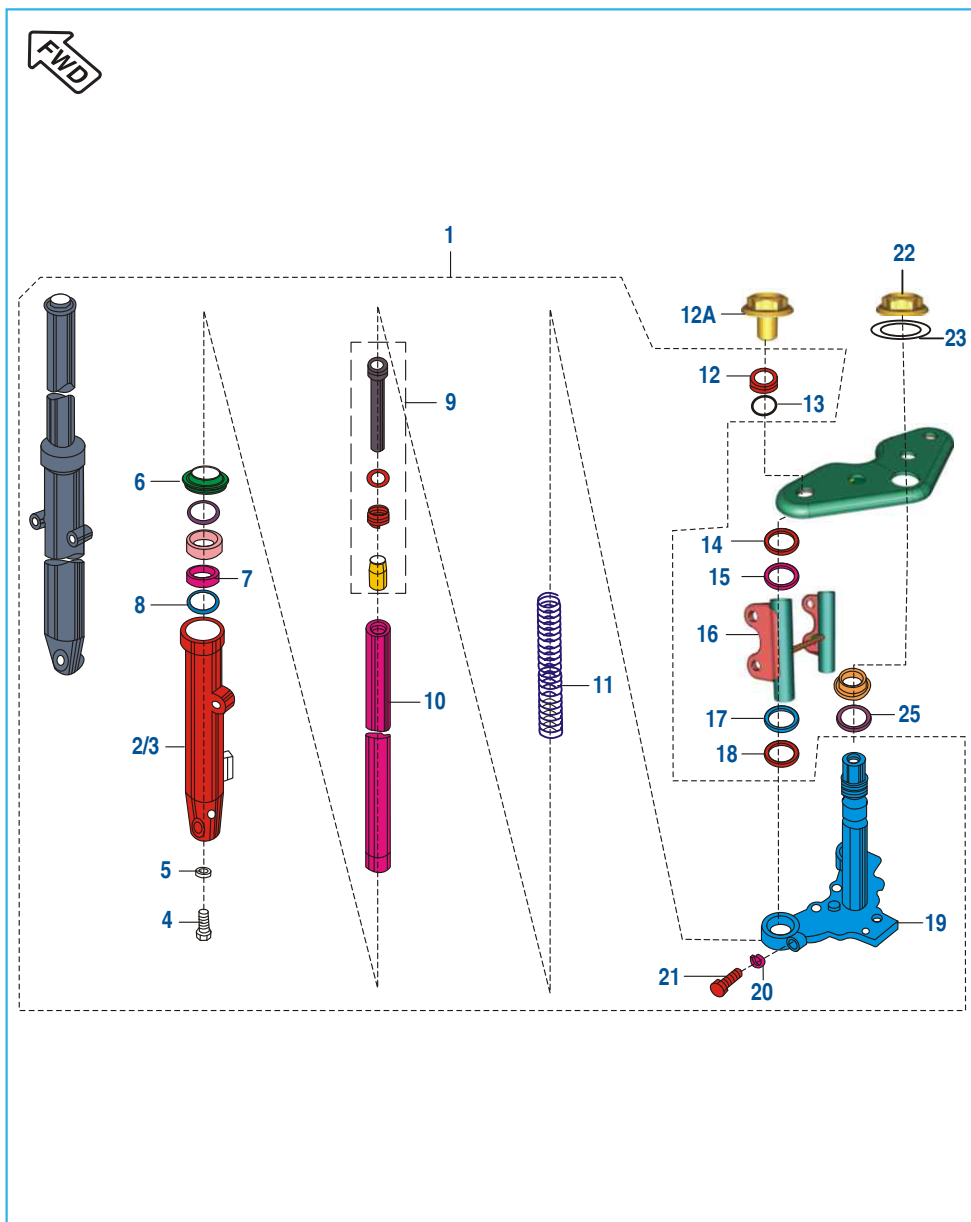
No.	Part No.	Description	Qty.			Remarks
			125 ST	125 T	100 T	
18	39 2249 15	Nut	2	2	2	
19	JZ 1510 65	Hand Grip RH	1	1	1	
20	DX 1910 01	Pipe Throttle	1	1	1	
21	39 1912 04	Bolt Flange	2	2	2	
22	JZ 2316 00	Mirror LH	1	1	1	
23	JZ 2316 01	Mirror RH	1	1	1	
24	30 1910 48	Band	2	2	2	N.I.
25	DX 1910 09	Lever Assembly RH	-	1	1	Drum Brake
26	JZ 4014 00	Ignition Switch	1	1	1	
27	JZ 2326 00	Lock Set	1	1	1	
28	DD 2011 70	Front Brake Switch	-	1	1	Drum Brake

Front Fork



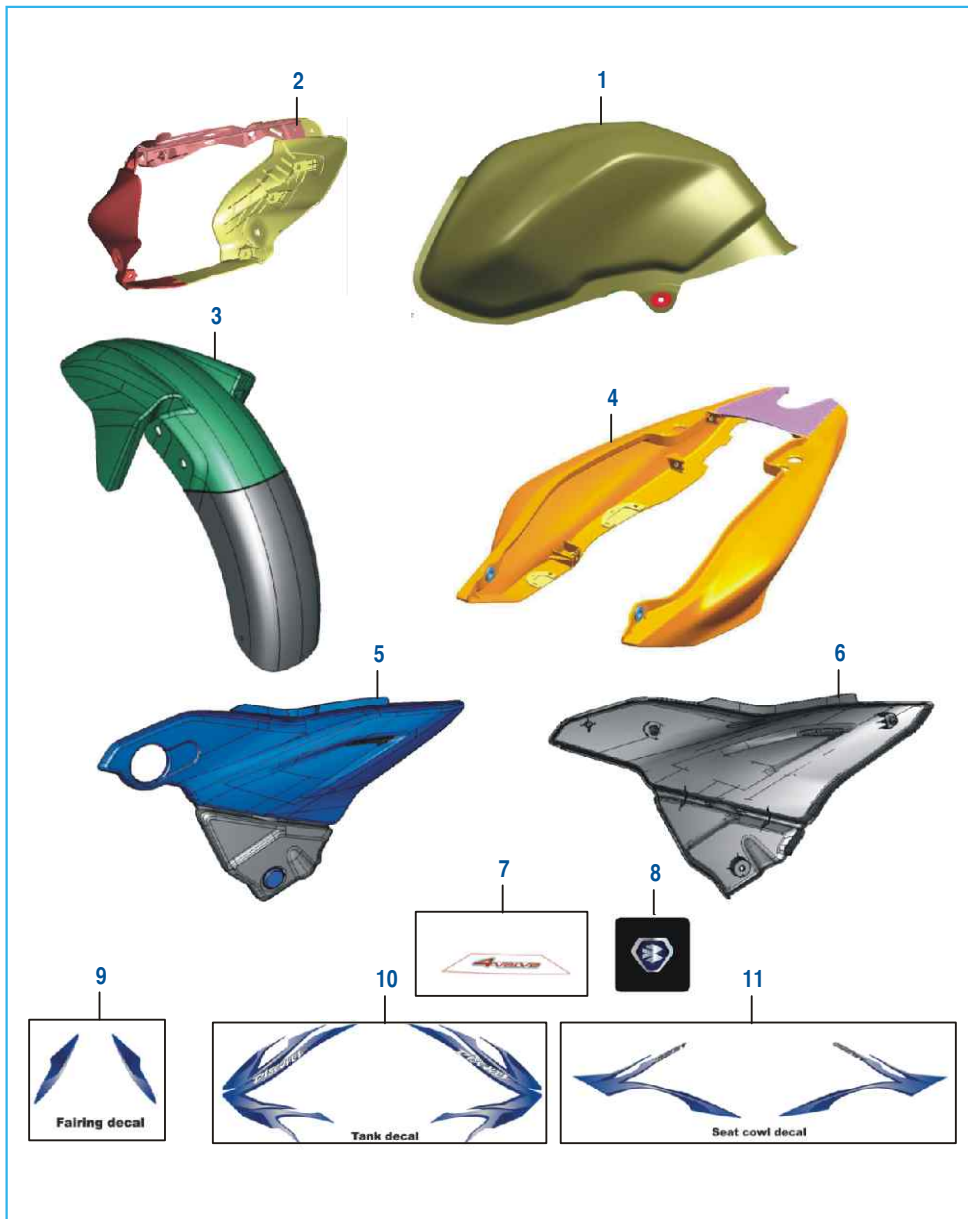
No.	Part No.	Description	Qty.			Remarks
			125 ST	125 T	100 T	
1	JZ 1210 27	Fork Assly Comp-Disc	1	1	1	Disc Brake
	PA 1210 12	Fork Assly	--	1	1	Drum Brake
2	JZ 1210 30	Tube Outer LH	1	1	1	Disc Brake
	PA 1210 15	Tube Outer LH	--	1	1	Drum Brake
3	JZ 1210 31	Tube Outer RH	1	1	1	Disc Brake
	PA 1210 16	Tube Outer RH	--	1	1	Drum Brake
4	30 1810 25	Socket Head Bolt	2	2	2	
5	30 1810 26	Gasket	2	2	2	
6	36 DF18 01	Kit Oil Seal Fork	2	2	2	
7	JK 1210 07	Guide Bush (Dia. 30)	2	2	2	
8	JK 1210 09	Washer-Guide Bush	2	2	2	
9	36 JZ01 07	Kit Cylinder Fork	2	2	2	Disc Brake
	JW 1510 23	Kit Cylinder Fork	--	2	2	Drum Brake
10	JZ 1210 40	Fork Pipe Spinning	2	2	2	
11	PA 1210 17	Spring Main	2	2	2	
12	DS 1810 12	Bolt Fork	2	2	2	
12A	59 0400 06	Hex Bolt	2	2	2	
13	30 1810 29	'O' Ring	2	2	2	
14	DF 1810 88	Damper Fork Cover	2	--	--	Fr. Fork
	PF 1210 28	Damper Fork Cover	--	2	2	
15	DD 1810 90	Cover Trail B	2	--	--	
	DJ 1810 43	Cover Trail B	--	2	2	
16	JZ 1510 47	Assembly Lamp Shade	2	--	--	
	PA 1510 05	Assembly Lamp Shade	--	1	1	

Front Fork



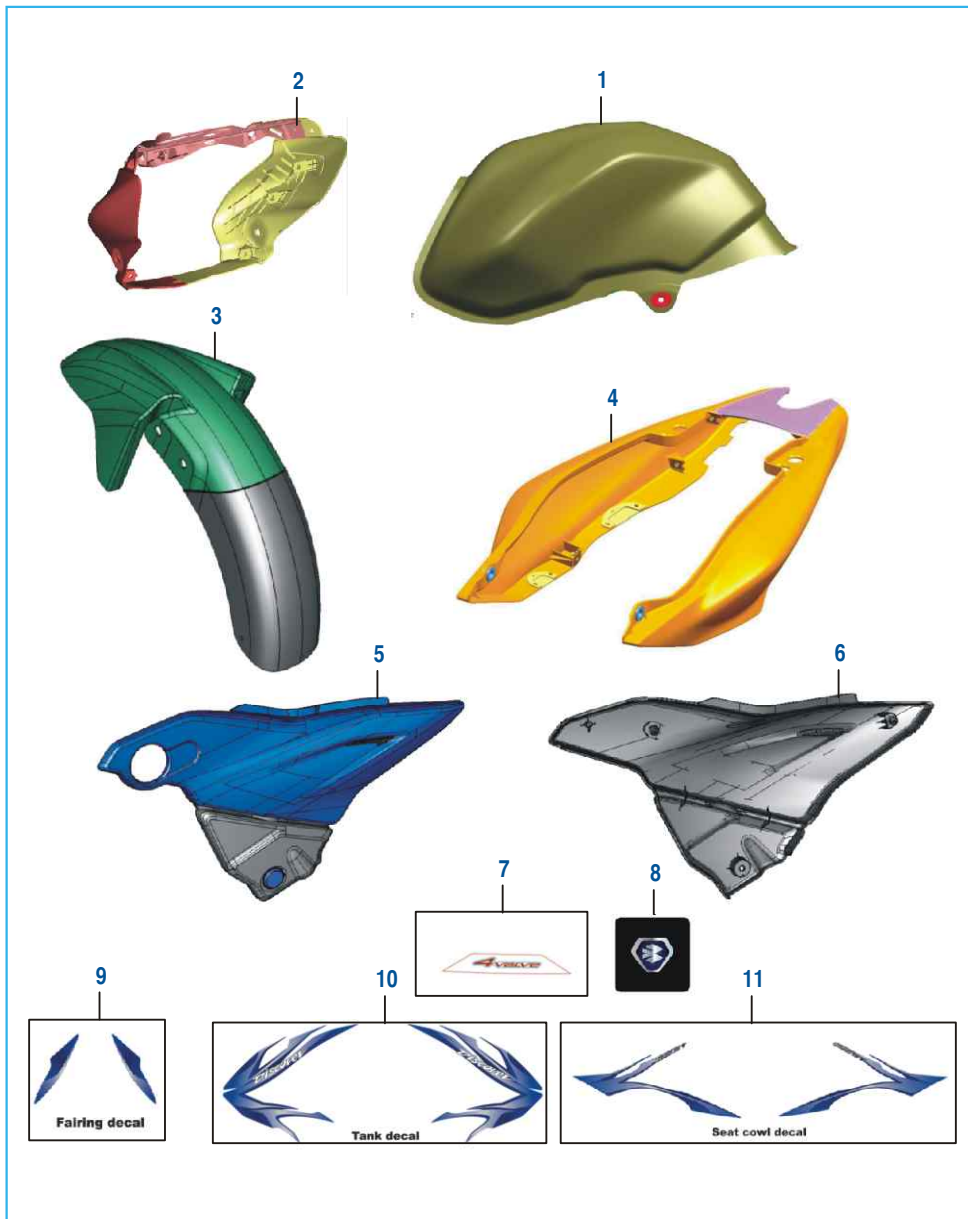
No.	Part No.	Description	Qty.			Remarks
			125 ST	125 T	100 T	
17	DD 1810 91	Cover Trail	2	--	--	
	DJ 1810 42	Cover Trail	--	2	2	
18	30 1810 45	Cushion Rubber	2	--	--	
	DJ 1810 85	Cushion Rubber	--	2	2	
19	JZ 1210 15	Assembly Under Bracket	1	1	1	
20	39 0789 12	Washer Spring	2	2	2	
21	39 1181 01	Bolt Hexagon Head M8X40	2	2	2	
22	DS 1810 15	Cap Nut Fork	1	1	1	
23	DS 1810 16	Plain Washer	1	1	1	
24	JZ 1318 80	Hose Clamp	1	--	--	
25	JZ 1510 80	Seal Bottom	1	--	--	Old
	JZ 1510 91	Seal Dust	1	1	1	From 05.01.2013

Painted Parts and Decals (125 ST & 100 T)



No.	Part No.	Description	Qty.			Remarks
			125 ST	125 T	100 T	
1	PA 7102 3C	Fuel Tank	1	--	1	Black-Red Decal
	PA 7102 3B	Fuel Tank	1	--	1	Black Blue Decal
	PA 7102 3F	Fuel Tank	1	--	1	Flame Red
	PA 7102 5R	Fuel Tank	1	--	1	Brilliant Blue
2	JZ 7403 3F	Cowling Pntd Black	1	--	1	Flame Red Dcl
	JZ 7403 3B	Cowling Pntd Black	1	--	1	Blue Dcl
	JZ 7403 3C	Cowling Pntd Red	1	--	1	Red Dcl
	JZ 7403 5R	Cowling Pntd Blue	1	--	1	Brilliant Blue Dcl
3	JZ 7306 3F	Fr Fender Pntd	1	1	1	BI-Flame Red
	JZ 7306 5J	Fr Fender Pntd	1	1	1	Mid Night BI
	JZ 7306 5R	Fr Fender Pntd	1	1	1	Brilliant Blue
4	JZ 7305 3F	Seat Cowl Pntd - 125 ST	1	--	--	BI-Flame Red Dcl
	JZ 7305 3B	Seat Cowl Pntd - 125 ST	1	--	--	Black-Blue Dcl
	JZ 7305 3C	Seat Cowl Pntd - 125 ST	1	--	--	Red Dcl
	JZ 7305 5R	Seat Cowl Pntd - 125 ST	1	--	--	Brilliant Blue
	PA 7502 3F	Seat Cowl Black - 100 T	--	--	1	Flame Red Dcl
	PA 7502 3B	Seat Cowl Black - 100 T	--	--	1	Blue Decal
	PA 7502 3C	Seat Cowl Red - 100 T	--	--	1	Red Decal
	PA 7502 5R	Seat Cowl Blue - 100 T	--	--	1	Brilliant Blue Dc
	PA 7505 3F	Seat Cowl FI Red - 100 T	--	--	1	Disc Brake (NP-28)
	PA 7505 3B	Seat Cowl BI Blue - 100 T	--	--	1	Disc Brake (NP-28)
	PA 7505 3C	Seat Cowl BI Red - 100 T	--	--	1	Disc Brake (NP-28)
	PA 7505 5R	Seat Cowl Bri Blue - 100 T	--	--	1	Disc Brake (NP-28)
5	JZ 7205 1R	Side Panel LH Silver Paint	1	--	1	
	PA 7202 1E	Side Panel LH	--	--	1	

Painted Parts and Decals (125 ST & 100 T)



No.	Part No.	Description	Qty.			Remarks
			125 ST	125 T	100 T	
6	JZ 7206 1R	Side Panel RH Silver Paint	1	--	1	
	PA 7203 1E	Side Panel RH	--	--	1	
7	JZ 2331 78	4 Valve Dcl	2	--	2	
8	JZ 2331 77	Fairing Decal B-logo	1	1	1	
9	36 JZ00 91	Kit Faring Dcl D102 BI-Red	1	--	1	
	36 JZ00 89	Kit Faring Dcl D102 BI-Blue	1	--	1	
	36 JZ00 95	Kit Faring Dcl D102 Red	1	--	1	
	36 JZ00 93	Kit Faring Dcl D102 Blue	1	--	1	
10	PA 2331 01	Kit Tank Decal BI-FlameRed	1	--	1	
	PA 2330 94	Kit Tank Decal BI-Blue	1	--	1	
	PA 2331 17	Kit Tank Decal Red	1	--	1	
	PA 2331 09	Kit Tank Decal Blue Br	1	--	1	
11	36 JZ00 92	Kit Dcl S Cowl - 125 ST	1	--	--	BI-Flame Red
	36 JZ00 90	Kit Dcl S Cowl - 125 ST	1	--	--	BI-Blue
	36 JZ00 96	Kit Dcl S Cowl - 125 ST	1	--	--	Red
	36 JZ00 94	Kit Dcl S Cowl - 125 ST	1	--	--	Blue
12	36 PA01 01	Kit Dcl S Cowl - 100 T	--	--	1	BI-Blue
	36 PA01 03	Kit Dcl S Cowl - 100 T	--	--	1	Red
	36 PA01 02	Kit Dcl S Cowl - 100 T	--	--	1	Blue
	36 PA01 48	Kit Dcl S Cowl - 100T Disc	--	--	1	Bri Blue (NP-28)
	36 PA01 49	Kit Dcl S Cowl - 100T Disc	--	--	1	FI Red (NP-28)
	36 PA01 50	Kit Dcl S Cowl - 100T Disc	--	--	1	BI Blue (NP-28)
	36 PA01 51	Kit Dcl S Cowl - 100T Disc	--	--	1	BI Red (NP-28)



Painted Parts and Decals (125 T)

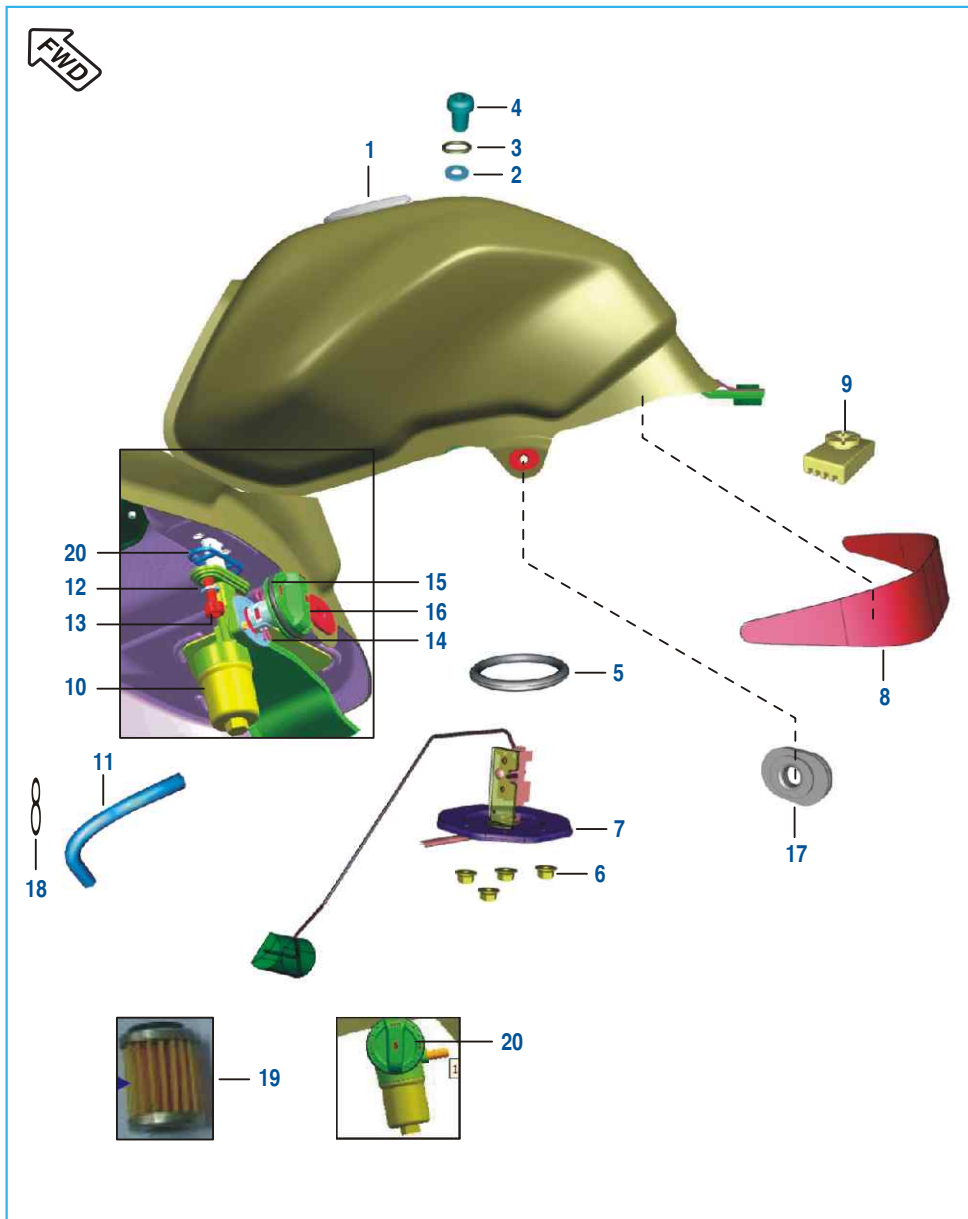
No.	Part No.	Description	Qty.			Remarks
			125 ST	125 T	100 T	
1	PA 7103 3B	Fuel Tank Black Blue Decal	--	1	--	
	PA 7103 3C	Fuel Tank Black Red Decal	--	1	--	
	PA 7103 3F	Fuel Tank Flame Red Decal	--	1	--	
	PA 7103 5R	Fuel Tank Brilliant Blue Decal	--	1	--	
2	JZ 7404 3B	Cowling Blk Blue Decal	--	1	--	
	JZ 7404 3C	Cowling Blk Red Decal	--	1	--	
	JZ 7404 3F	Cowling Flame Red Decal	--	1	--	
	JZ 7404 5R	Cowling Brilliant Blue Decal	--	1	--	
3	JZ 7306 3F	Fr Fender Pntd	1	1	1	BI-Flame Red Mid Night BI Brilliant Blue
	JZ 7306 5J	Fr Fender Pntd	1	1	1	
	JZ 7306 5R	Fr Fender Pntd	1	1	1	
4	PA 7503 3B	Seat Cowl Black Blue	--	1	--	
	PA 7503 3C	Seat Cowl Black Red	--	1	--	
	PA 7503 3F	Seat Cowl Flame Red	--	1	--	
	PA 7503 5R	Seat Cowl Brilliant Blue	--	1	--	
5	PA 7202 1E	Side Panel LH	--	1	--	
6	PA 7203 1E	Side Panel RH	--	1	--	
7	PA 2332 26	Decal 4 Valve Chrome	--	1	--	
8	JZ 2331 77	Fairing Decal B-logo	1	1	1	



Painted Parts and Decals (125 T)

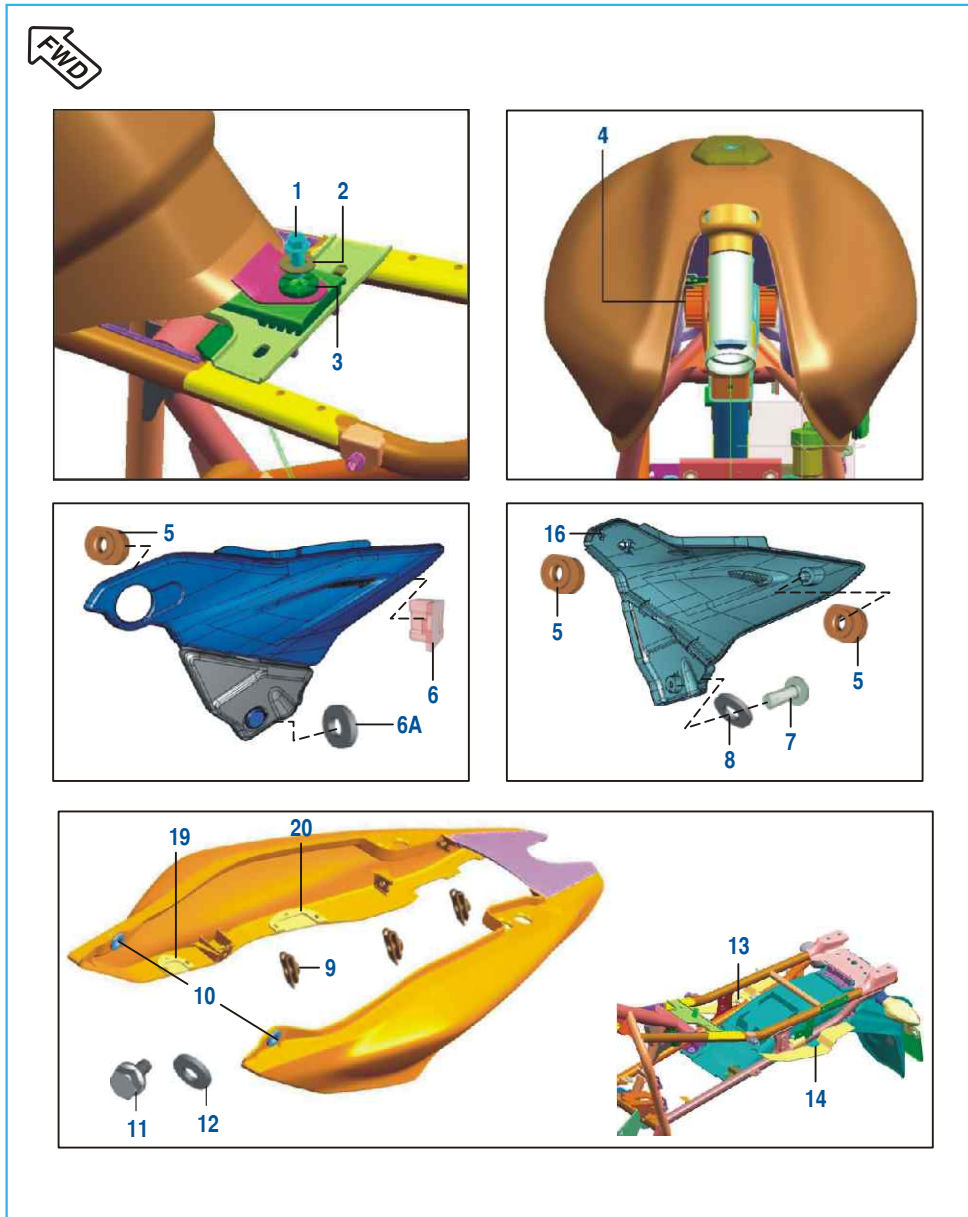
No.	Part No.	Description	Qty.			Remarks
			125 ST	125 T	100 T	
9	36 PA01 17	Kit Decal Fairing BI-blue	--	1	--	
	36 PA01 18	Kit Decal Fairing BI-red	--	1	--	
	36 PA01 19	Kit Dcl Fairing Blue	--	1	--	
	36 PA01 20	Kit Decal Fairing Red	--	1	--	
10	PA 2331 83	Decal Kit Tank BI-blue	--	1	--	
	PA 2331 93	Decal Kit Tank BI-red	--	1	--	
	PA 2332 03	Decal Kit Tank Blue	--	1	--	
	PA 2332 13	Decal Kit Tank Red	--	1	--	
11	36 PA01 11	Kit Dcl S Cowl - 125 T	--	1	--	BI-Flame Red
	36 PA01 12	Kit Dcl S Cowl - 125 T	--	1	--	BI-Blue
	36 PA01 09	Kit Dcl S Cowl - 125 T	--	1	--	Red
	36 PA01 10	Kit Dcl S Cowl - 125 T	--	1	--	Blue

Petrol Tank, Cap Tank and Gauge Fuel



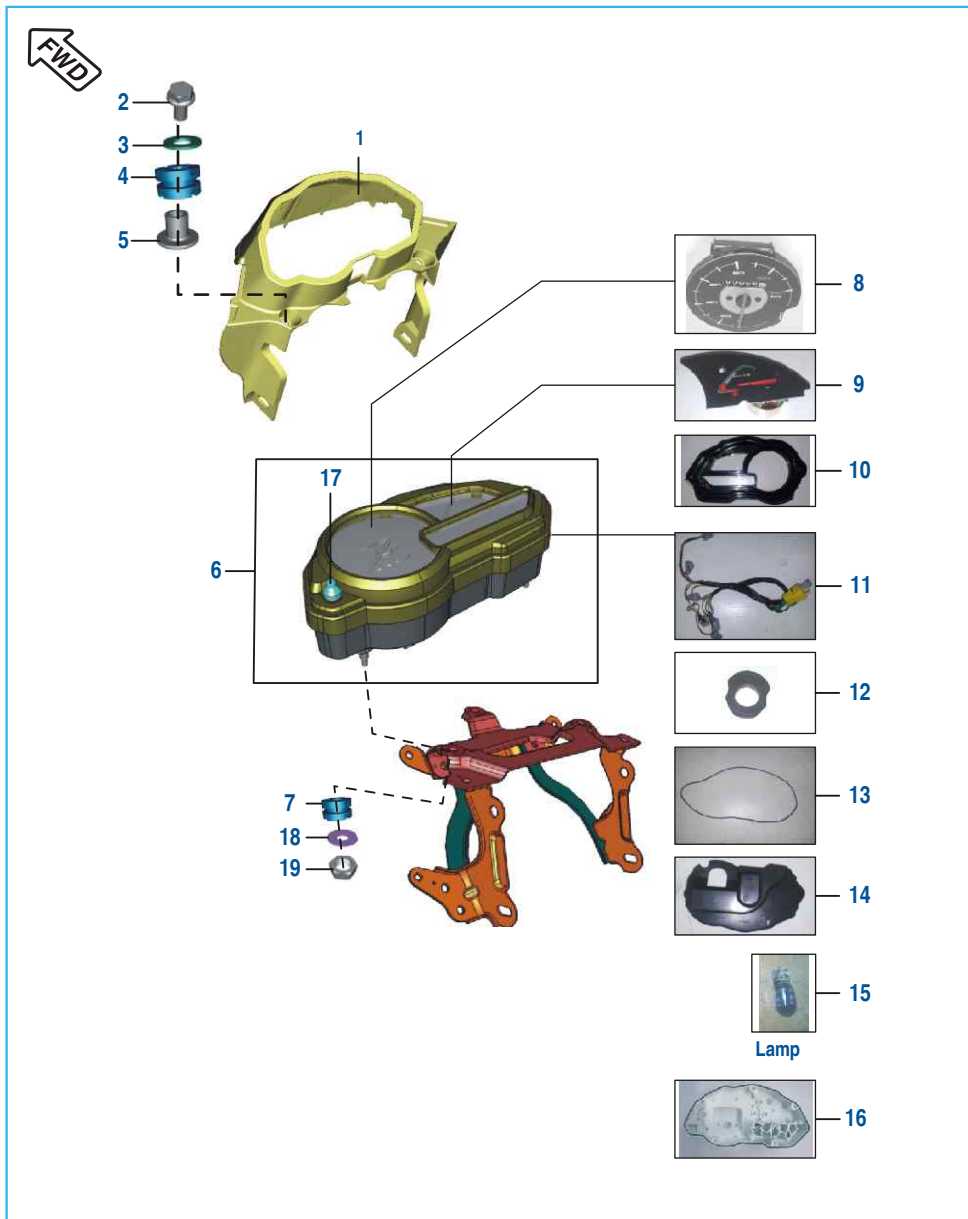
No.	Part No.	Description	Qty.			Remarks
			125 ST	125 T	100 T	
1	JZ 1710 04	Cap Fuel Tank	1	1	1	
2	39 2179 24	Washer	2	2	2	
3	30 1410 31	Ring - 'O'	2	2	2	
4	39 0761 01	Screw Pan Cross - M5	2	2	2	
5	39 2758 21	Ring - O I.D. 40 X 5	1	1	1	
6	39 2484 15	Nut - Flange :- M5	4	4	4	
7	JZ 4026 00	Gauge Fuel Tank	1	1	1	
8	JZ 1710 17	Tape Seat	1	1	1	
9	JD 1110 52	Grommet Tank mtg	1	1	1	
10	JZ 1718 07	Assembly Fuel Tap	1	1	1	
11	JZ 1718 29	Tube Fuel	1	1	1	
12	39 0740 11	Washer (Non-Metallic)	2	2	2	
13	DD 1410 22	Bolt - Flanged	2	2	2	
14	JL 1718 03	Pin Snap	1	1	1	
15	JL 1710 60	'O' Ring Knob	1	1	1	
16	JZ 1718 17	Knob	1	1	1	
17	DS 1410 12	Grommet Side Cover	2	2	2	
18	DK 1410 41	Pipe Clip	2	2	2	
19	JZ 1718 18	Paper Filter	1	1	1	
20	30 1410 39	Packing	1	1	1	
21	DZ 1410 75	4 Valve Washer	1	1	1	N.I.

Fittings - Petrol Tank Cover, Side Covers & Cover Seat



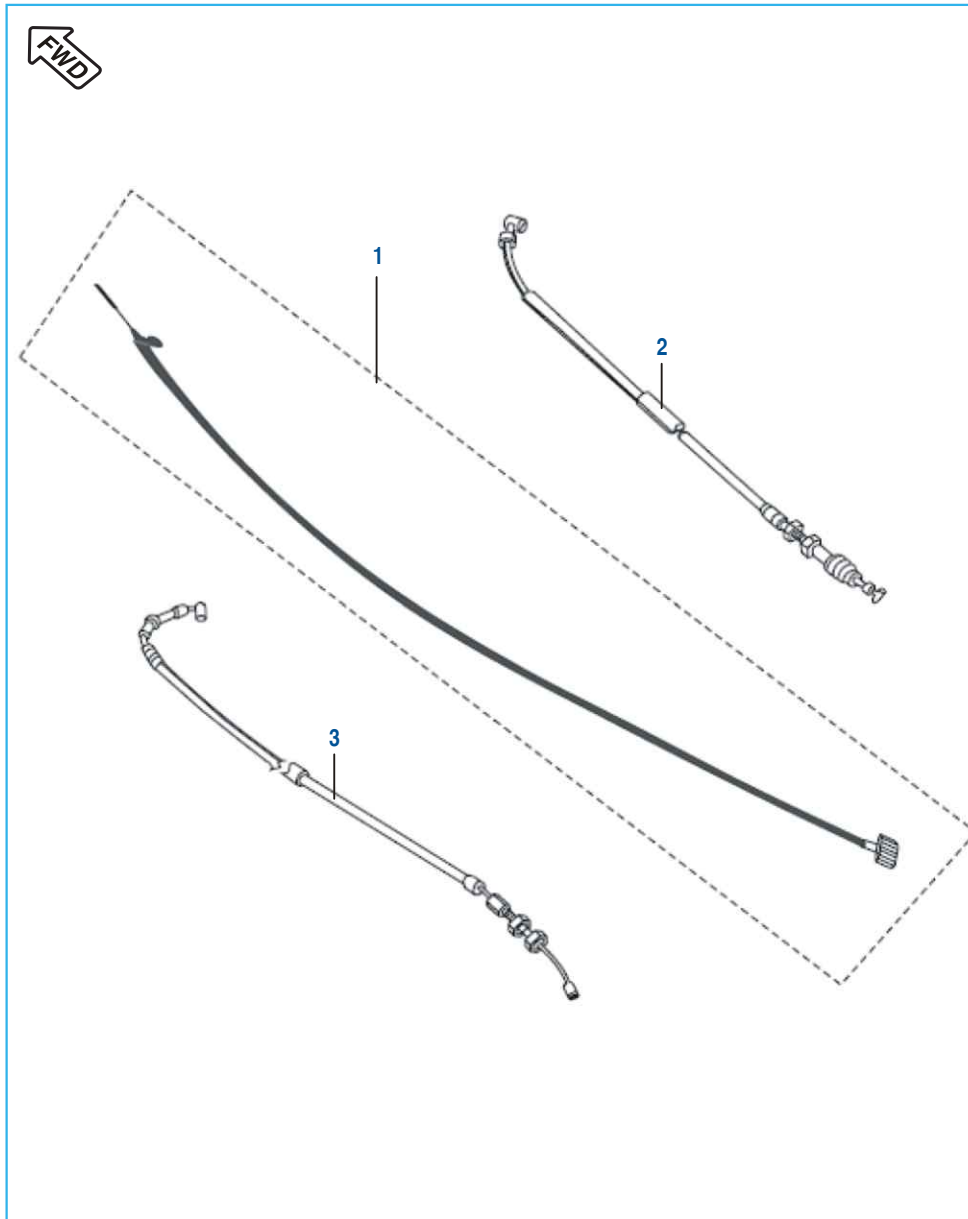
No.	Part No.	Description	Qty.			Remarks
			125 ST	125 T	100 T	
1	39 1951 04	Bolt Flange	1	1	1	
2	39 2424 11	Plain Washer	1	1	1	
3	JD 1110 52	Grommet Tank Mtg	1	1	1	
4	DJ 1410 08	Damper - Front	2	2	2	
5	DS 1410 12	Grommet- Side Cover: Fr	3	3	3	
6	JW 1610 17	Grommet Side / C Rear	1	--	--	
6A	DU 1611 02	Damper	1	1	1	
7	DG 1611 21	Screw	1	1	1	
8	39 1789 24	Washer - Nylon	1	1	1	
9	DJ 1612 29	Clip Nut M5	2	2	2	
10	JL 1812 19	Grommet -1 Seat Cowl	2	2	2	
11	39 1943 04	Bolt - Flanged	2	2	2	
12	LD A000 18	Washer 6.2X20X1.5	2	2	2	
13	JZ 1812 70	Flap Seat Cowl RH	1	--	--	
14	JZ 1812 69	Flap Seat Cowl LH	1	--	--	
15	LB U000 07	Screw Truss M5 X 15L	2	2	2	N.I.
16	JZ 1812 71	Damper Side Cover	2	2	2	
17	PA 1812 32	Grommet 1 LH	--	1	1	N.I.
18	PA 1812 33	Grommet 2 LH	--	1	1	N.I.
19	PA 1812 34	Grommet 1 RH	--	1	1	
20	PA 1812 35	Grommet 2 RH	--	1	1	

Meter Assembly



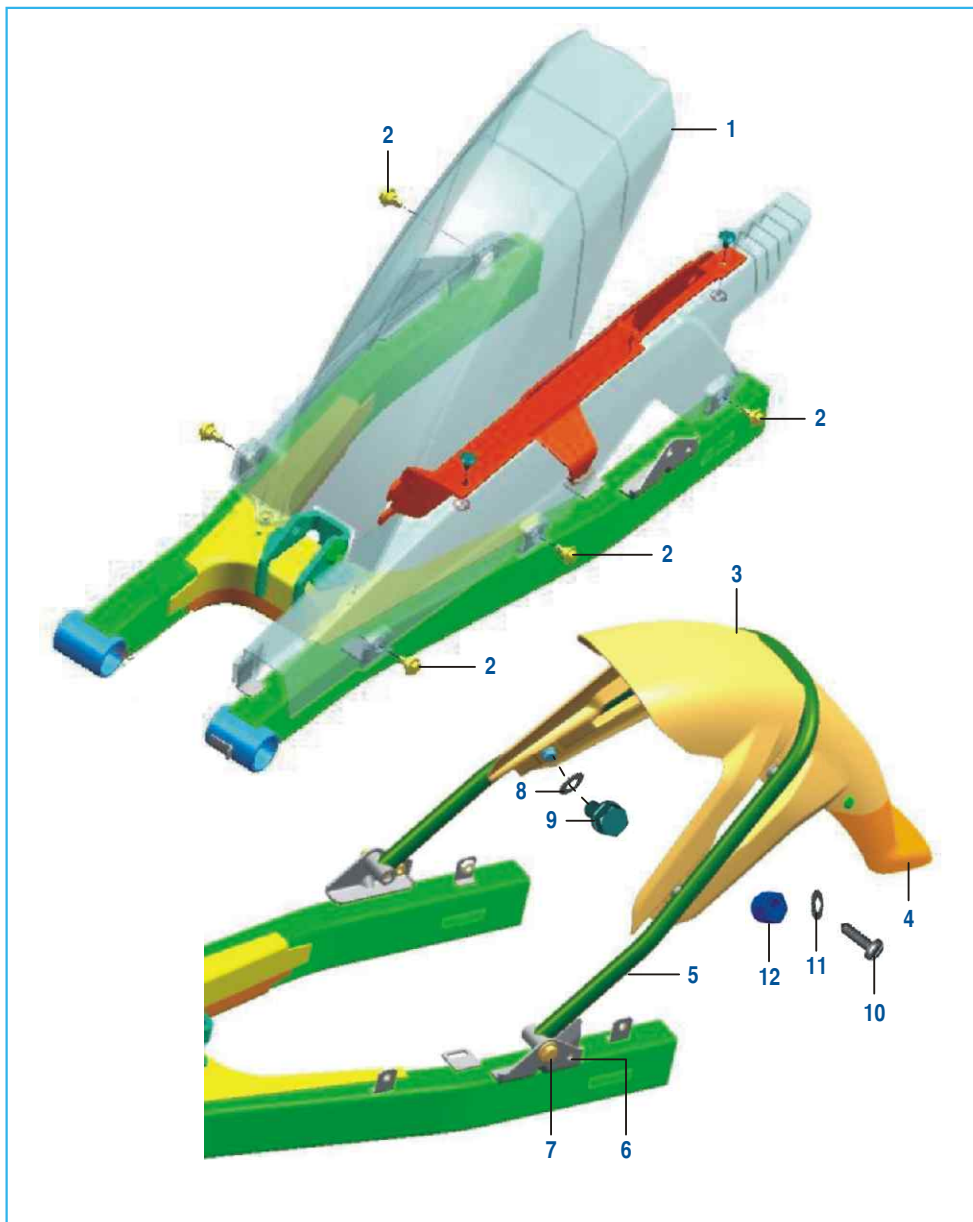
No.	Part No.	Description	Qty.			Remarks
			125 ST	125 T	100 T	
1	PA 1812 26	Assembly Speedo Flap	1	1	1	
2	39 1552 04	Bolt Flange	3	3	3	
3	39 0711 11	Washer Plain -	3	3	3	OD15X ID 5.5X1.2T
4	JC 1410 15	Grommet Tank Cover	3	3	3	
5	JC 1410 16	Collar Tank Cover	3	3	3	
6	PA 4024 22	Speedometer Assembly	1	1	1	
7	JG 1812 38	Grommet Dashboard	3	3	3	
8	PA 4024 24	Speedo & Trip with dial	1	1	1	Minda
	YJ Z080 01	SPD MTR With Dail-JCPPL	1	1	1	
9	PA 4024 25	Gauge fuel assly with dial	1	1	1	Minda
	YJ Z080 02	Fuel Gague with Dail-JCPPL	1	1	1	
10	PA 4024 26	Cover Top Assly - Minda	1	1	1	
	YJ Z080 03	SPD MTR TopCover-JCPPL	1	1	1	
11	PA 4024 31	SPD MTR Harness-Minda	1	1	1	
	YJ Z080 04	SPD MTR Harness-JCPPL	1	1	1	
12	YJ Z080 08	Sealing Ring Meter-Minda	1	1	1	
13	PA 4024 28	Sealing Ring Top Cover	1	1	1	Minda
	YJ Z080 06	Sealing Ring Top Cover	1	1	1	JCPPL
14	YJ Z080 09	SPD MTR Back Cover-Minda	1	1	1	
	YJ Z080 07	SPD MTR Back Cover-JCPPL	1	1	1	
15	CM 2010 54	Lamp 12V,2W	6	6	6	Minda
	PA 4024 32	Lamp B Logo	1	1	1	Minda
	PA 4024 32	Lamp 12V 2W	5	5	5	JCPPL
	CM 2010 54	Lamp Speedo & Fuel meter	2	2	2	JCPPL
16	PA 4024 27	Housing-Minda	1	1	1	
	YJ Z080 11	Housing-JCPPL	1	1	1	
17	PA 4024 29	Knob Trip Grommet-Minda	1	1	1	
	YJ Z080 10	Knob Trip Grommet-JCPPL	1	1	1	
18	LD B000 07	Washer Plain	3	3	3	
19	39 0291 15	Nut Hexagoan	3	3	3	

Control Cables



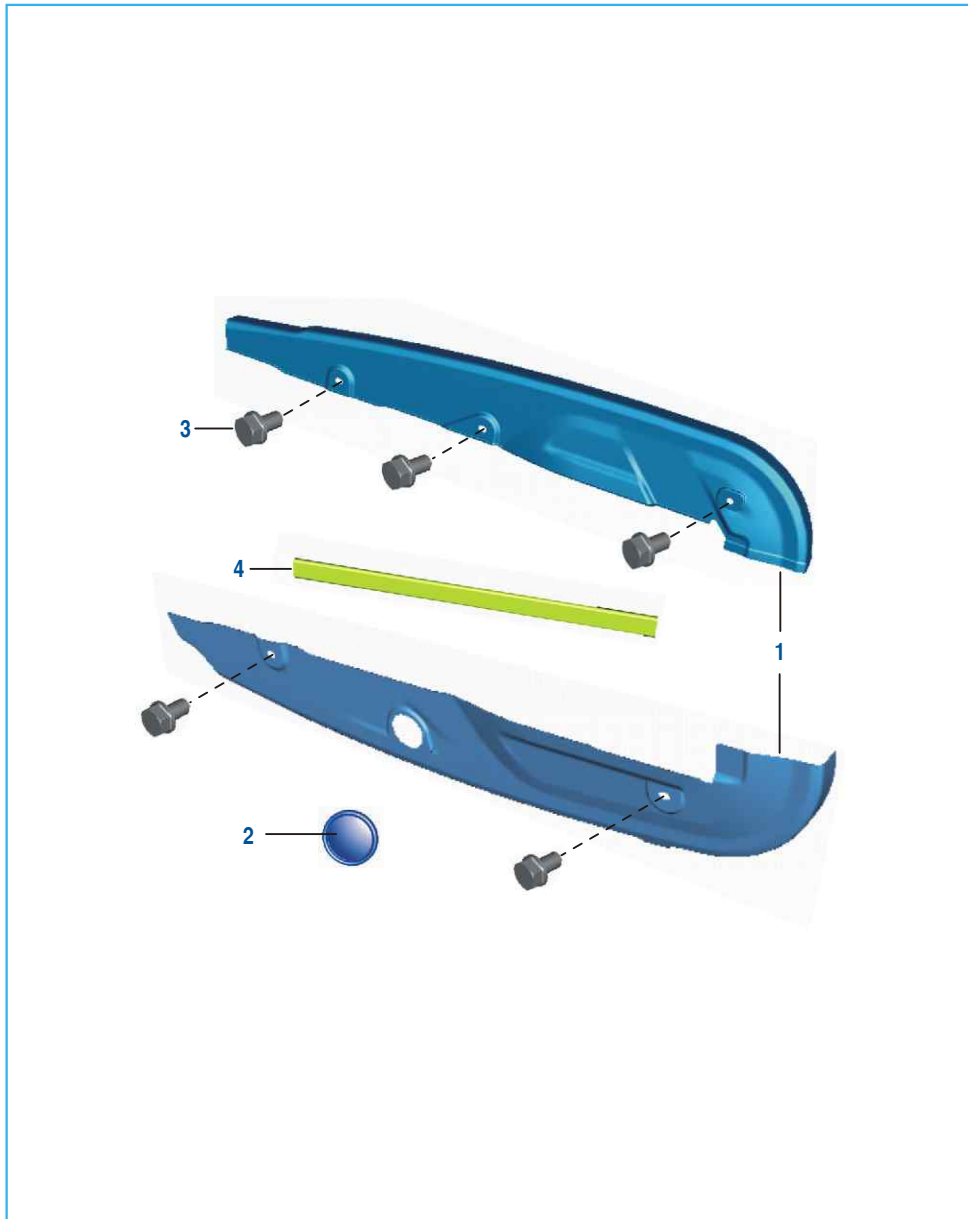
No.	Part No.	Description	Qty.			Remarks
			125 ST	125 T	100 T	
1	JZ 1612 10	Cable Speedometer	1	1	1	
2	JZ 1612 07	Cable Accelerator	1	--	--	
	PA 1612 00	Cable Accelerator	--	1	1	
3	JZ 1612 08	Cable Clutch	1	--	--	
	PA 1612 04	Cable Clutch	--	1	1	
4	DS 1910 54	Cable Brake	--	1	1	Drum Brake

Chain Case (125 ST)



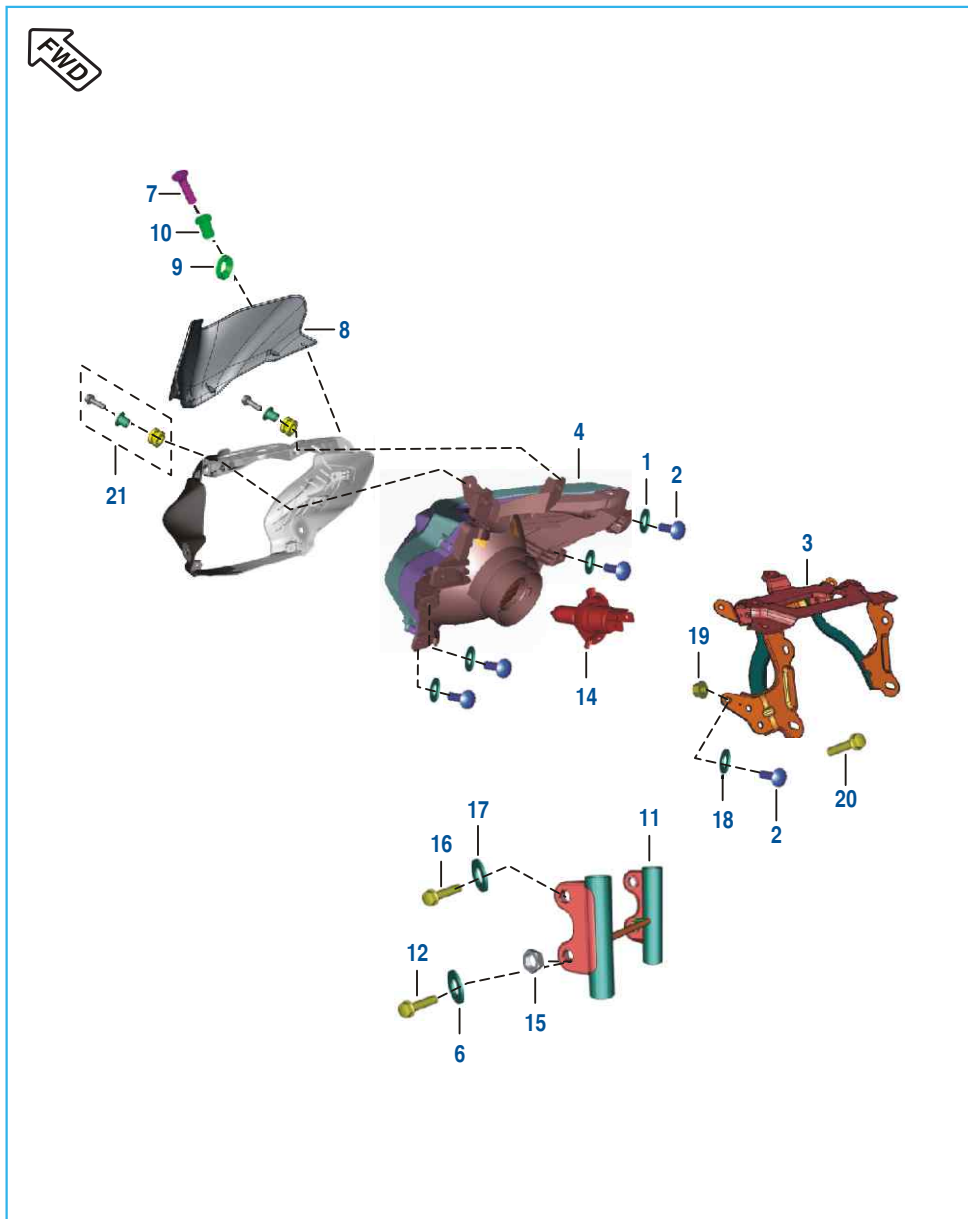
No.	Part No.	Description	Qty.			Remarks
			125 ST	125 T	100 T	
1	JZ 1812 14	Assembly Chain Cover	1	--	--	
2	DS 1612 24	Bolt Stepped With Flange	5	--	--	
3	JZ 1814 20	Cover Mud Rear	1	--	--	
4	JZ 1814 21	Flap Mud Cover	1	--	--	
5	JZ 1810 09	Tube Rear Hugger Mtg	1	--	--	
6	LA D000 82	Hexagon Bolt With Flange	2	--	--	
7	LA E000 01	Bolt Flange	2	--	--	
8	39 0219 11	Plain Washer	5	--	--	
9	39 1680 04	Flange Bolt	5	--	--	
10	39 2420 01	Screw Pan Level	3	--	--	
11	39 0242 11	Plain Washer	3	--	--	
12	39 0326 15	Nut Nylon	3	--	--	

Chain Case (125 T & 100 T)



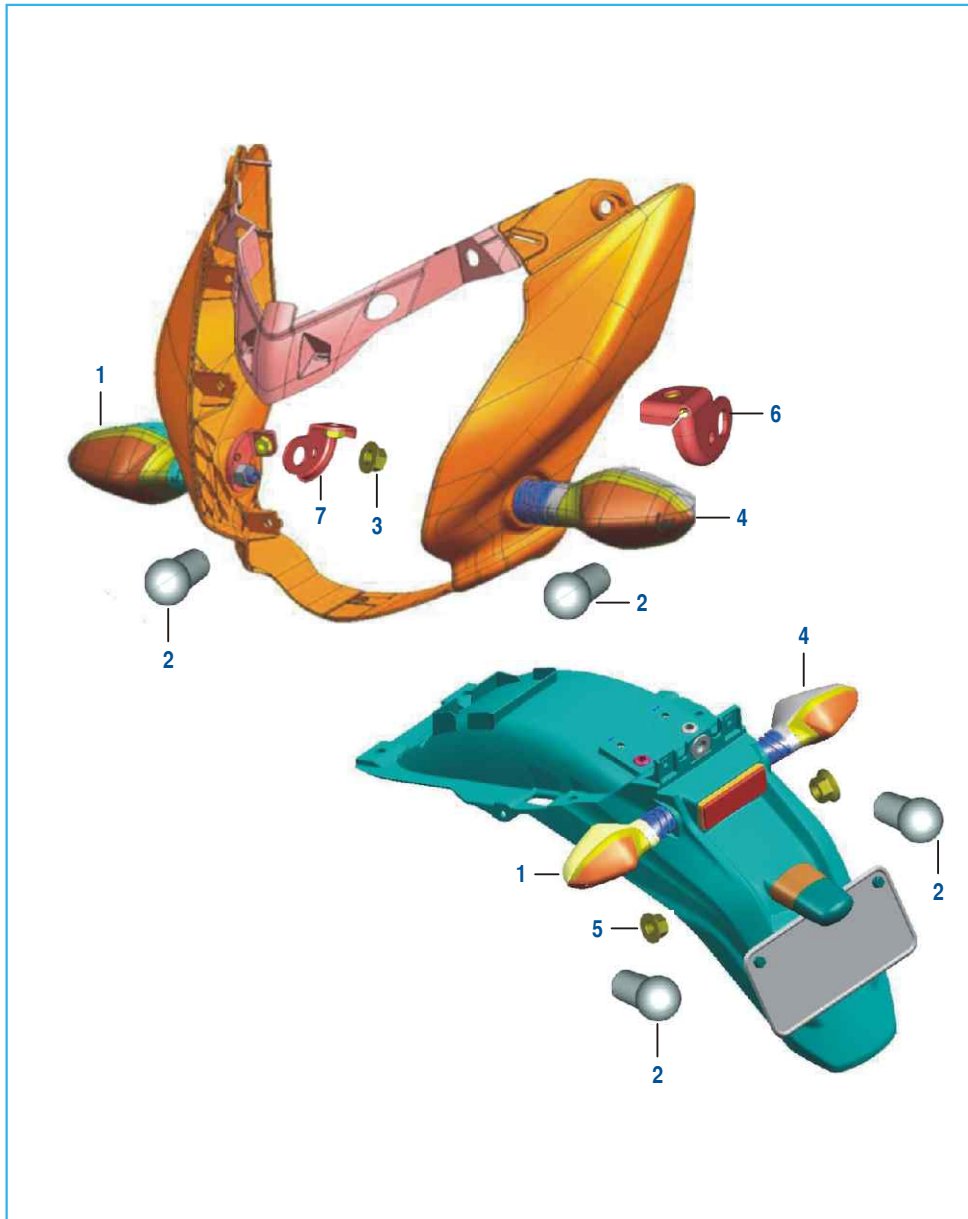
No.	Part No.	Description	Qty.			Remarks
			125 ST	125 T	100 T	
1	36 PA00 98	Kit Chain Case - 100 T	-	-	1	Refer Page No. 123
	36 PA01 14	Kit Chain Case - 125 T	--	1	-	Refer Page No. 126
2	15 1610 69	Rubber Cap	--	1	1	
3	JB 1812 39	Bolt	--	5	5	
4	DX 1610 52	Beading Chain Case	--	1	1	

Head Lamp & Fairing



No.	Part No.	Description	Qty.			Remarks
			125 ST	125 T	100 T	
1	39 0219 11	Washer - Plain	5	5	5	
2	39 1907 01	Screw - Truss Cross : M5	8	8	8	
3	PA 1812 27	Fairing Mounting Structure	1	1	1	
4	JZ 4010 43	Assembly Headlamp	1	1	1	W/O Bulb
5	39 1778 02	Screw - Tapping : 4 X 14	1	1	1	
6	39 0375 11	Washer - Plain	1	1	1	
7	39 1907 01	Screw - Truss Cross : M5	2	2	2	
8	JZ 1812 37	Windshield	1	1	1	
9	39 2141 24	Washer	2	2	2	(Non Metallic Round Washer)
10	PA 1812 46	Nut Well - M5X0.8	2	2	2	
11	JZ 1510 47	Assembly Lamp Shade	1	--	--	
	PA 1510 05	Assembly Lamp Shade	--	1	1	
12	39 1683 04	Bolt - Flange	2	2	2	
13	JZ 4010 29	Wiring Harness Head Lamp	1	1	1	N.I.
14	CL 2010 23	Bulb (12V HS1 35/35W)	1	1	1	
15	39 0956 15	Nut M8	2	2	2	
16	39 1714 04	Hexagon Bolt with Flange	2	2	2	
17	39 1792 11	Washer	2	2	2	
18	39 1765 11	Washer	9	4	9	
19	DJ 1612 29	Nut	6	2	6	
20	39 1943 04	Bolt	4	2	4	
21	36 JZ01 01	Kit Fairing Mtg	2	2	2	
22	JZ 1810 04	Foam Strip	4	4	4	
23	PA 1822 00	Damper Rubber RH	--	1	1	Grommet-PA181292
24	PA 1822 01	Damper Rubber LH	--	1	1	Collar-PA181293

Indicator Light Assembly



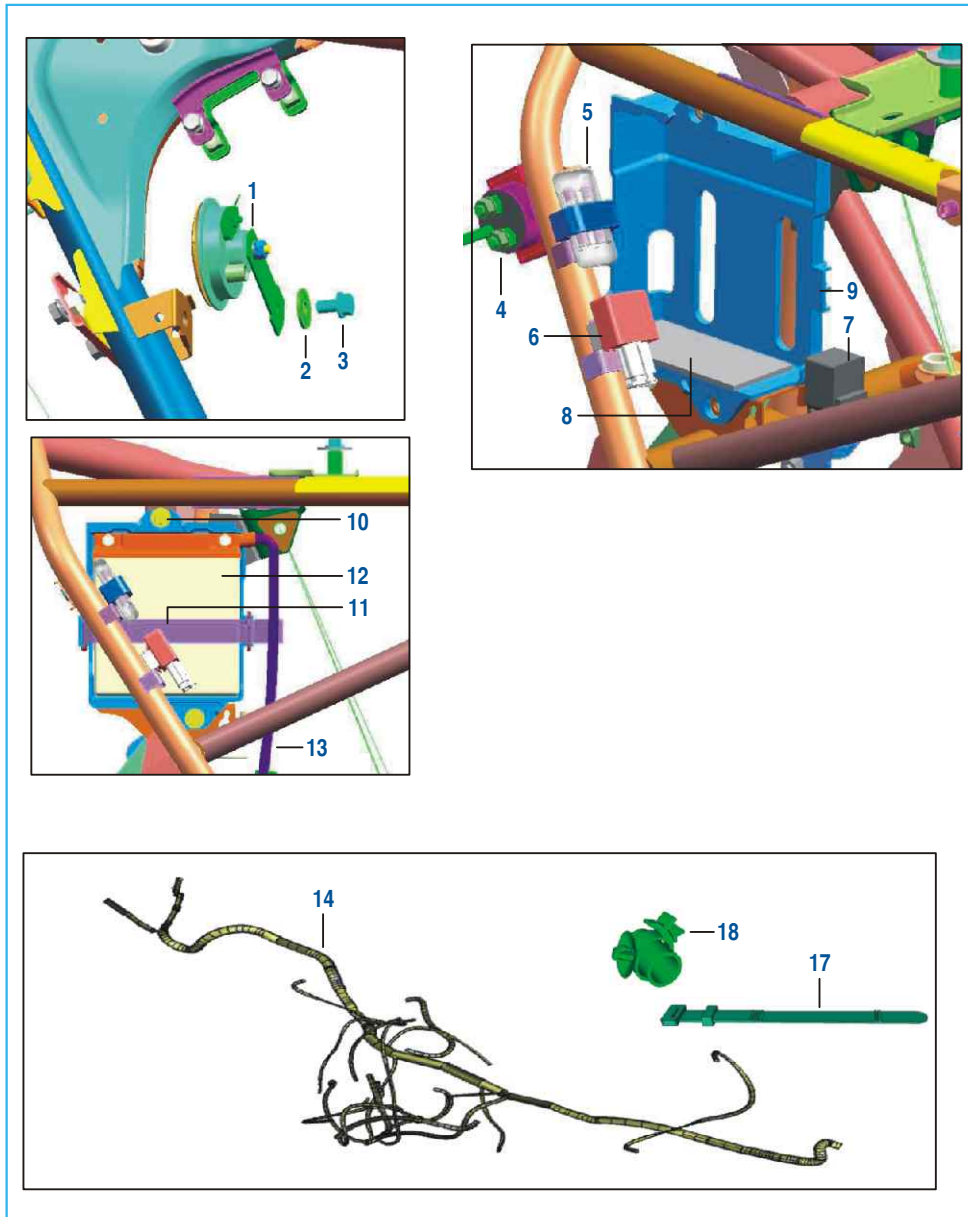
No.	Part No.	Description	Qty.			Remarks
			125 ST	125 T	100 T	
1	JZ 4010 38	Indicator Fr RH / Rr LH	2	2	2	
2	GH 2010 12	Lamp 12V-10W	4	4	4	
3	LC A000 05	Nut Hex M10X1.25	2	2	2	
4	JZ 4010 39	Indicator Fr LH / Rr RH	2	2	2	
5	39 1225 15	Nut - Hexagon With Flange	2	2	2	M10
6	JZ 1812 60	Bracket Blinker Mtg LH	1	1	1	
7	JZ 1812 61	Bracket Blinker Mtg RH	1	1	1	

Tail Lamp Assly / Front Number Plate



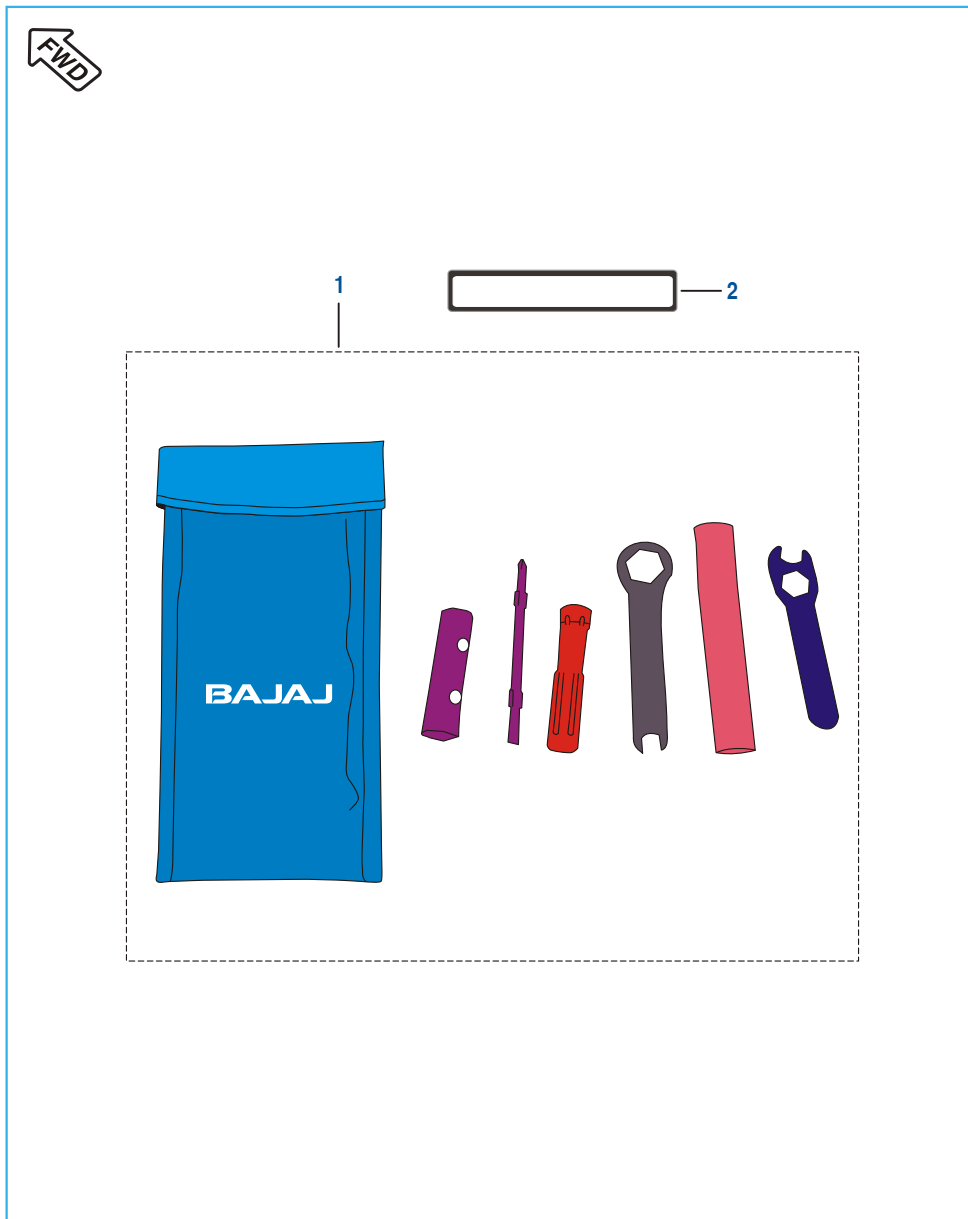
No.	Part No.	Description	Qty.			Remarks
			125 ST	125 T	100 T	
1	39 0044 01	Screw Round Head	2	2	2	
2	39 1501 11	Washer Plain	2	2	2	
3	JU 2328 00	Front Number Plate	1	1	1	
4	LA C000 13	Bolt Socket	2	2	2	
5	JZ 1812 99	Bracket Number Plate Mtg	1	--	1	Disc Brake
	PA 1813 00	Bracket Number Plate Mtg	--	1	1	Drum Brake
6	39 1907 01	Screw M5	4	4	4	
7	PA 4010 09	Tail Lamp Without Bulb	1	1	1	
8	DJ 1612 29	Clip Nut M5	4	4	4	
9	DD 2010 02	Reflector - Reflex	1	1	1	
10	39 2484 15	Nut - Flange : M5	1	1	1	
11	JD 4010 07	Rear Number Plate Lamp	1	1	1	
12	JZ 4010 42	Spacer Illumination Lamp	1	1	1	
13	KB UA05 45	Screw Trus	2	2	2	
14	DL 1610 15	Grommet	1	1	1	For Illumination Lamp
15	39 2124 15	Nut - Hexagon With Flange	2	2	2	M6 X 1
16	39 2476 04	Bolt - Hexagon Head	2	2	2	With Flange : M6
17	DJ 1610 72	Bracket-Rear Number Plate	1	1	1	
18	DP 1611 45	Plate -No.:Rr	1	1	1	
19	JZ 2328 05	Foam Rear Number Plate	1	1	1	
20	20 2010 29	Bulb 21/5W	1	1	1	
21	JZ 4010 46	Holder Tail Lamp with Wiring	1	1	1	N.I.
22	PA 1318 32	Clamp Speedo Cable	--	1	1	

Electrical Equipments



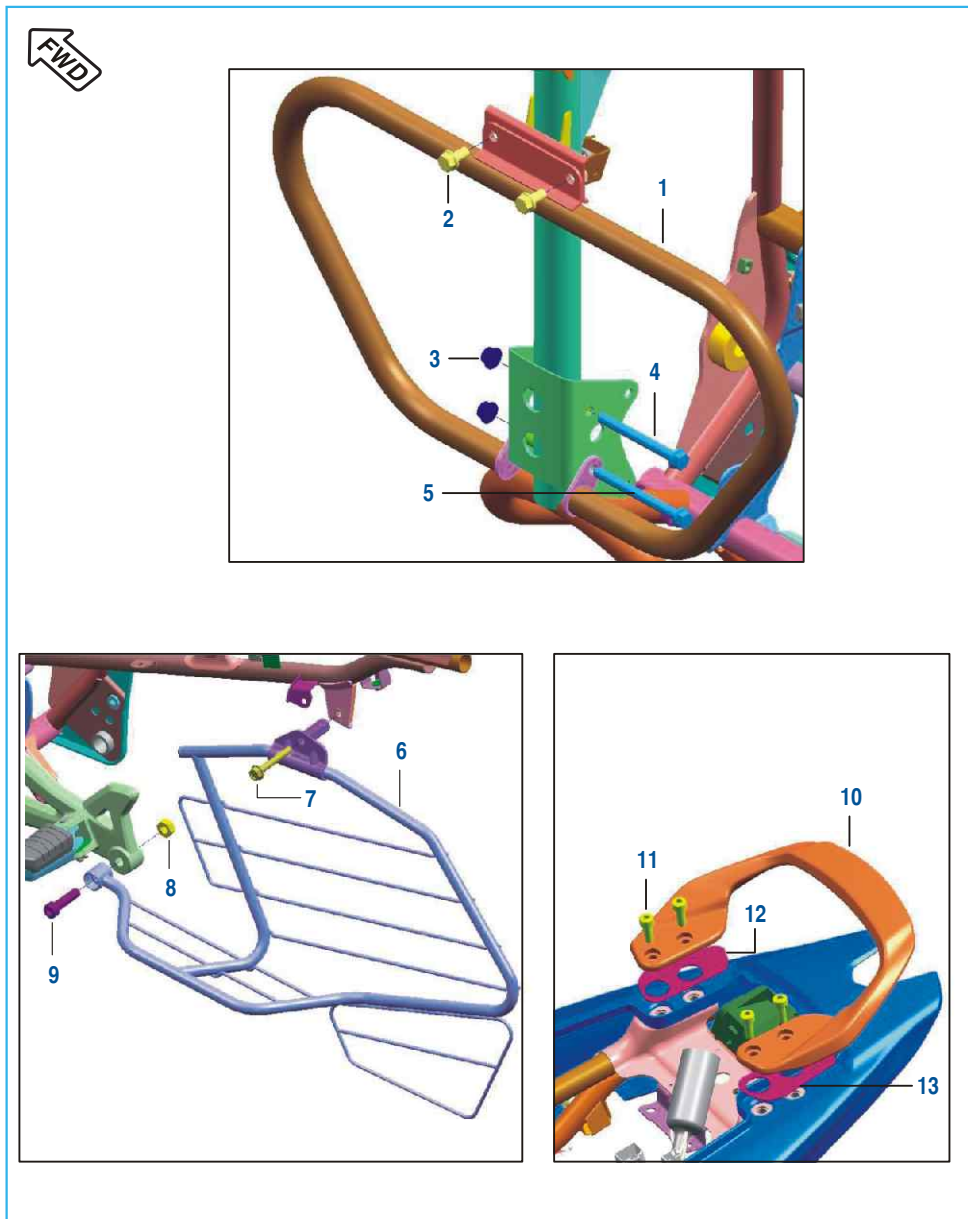
No.	Part No.	Description	Qty.			Remarks
			125 ST	125 T	100 T	
1	JL 4016 00	Horn	1	1	1	
2	39 1507 11	Washer - Plain	1	1	1	
3	39 1970 15	Hex Nut	1	1	1	
4	JN 3516 04	Starter Relay-with Grommet	1	1	1	
5	DJ 2012 19	Fuse Box Assly.	1	1	1	
6	DS 2010 25	Flasher - D. C.	1	1	1	
7	JZ 4010 13	Headlamp Control Unit	1	1	1	
8	JZ 4018 09	Pad (Foam) Battery	1	1	1	
9	JZ 4018 03	Case Battery	1	--	--	
10	DS 1612 24	Step - Bolt	2	2	2	
11	JZ 4018 04	Band Battery	1	--	--	
	PA 4018 04	Band Battery	--	1	1	
12	DS 2010 81	Battery MF 5Ah	1	1	1	Not Serviceable
13	JD 4018 03	Adapter With Vent Tube	1	1	1	
14	PA 4022 16	Harness Wiring	1	--	--	
	JZ 4022 14	Harness Wiring	--	1	1	
15	JV 4022 05	Cable Assy Battery-Earth	1	1	1	N.I.
16	JZ 4022 17	Cable Assy St Relay-Motor	1	--	--	N.I.
	PA 4022 24	Cable Assy St Relay-Motor	--	1	1	N.I.
17	30 2010 64	Band	1	1	1	
18	60 1114 17	Clip Positive Lock	1	1	1	
19	PA 4018 05	Base Battery	1	1	1	
20	PA 4022 26	Cable Relay to Battery	1	1	1	

Tool Kit



No.	Part No.	Description	Qty.			Remarks
			125 ST	125 T	100 T	
1	DJ 2210 19	Tool Kit With Band	1	1	1	Not Serviceable in Spare
2	DK 2210 24	Band Tool Kit	2	2	2	

Accessories / Grab Handle



Front Wheel Direction

No.	Part No.	Description	Qty.			Remarks
			125 ST	125 T	100 T	
1	JZ 2312 11	Leg Guard	1	1	1	
2	39 2553 04	Bolt Flange M8	2	2	2	
3	39 1970 15	Flange Hex Nut M8	2	2	2	
4	JA 1134 04	Flanged Bolt M8-75	3	3	3	
5	39 2498 04	Bolt Flange M8	1	1	1	
6	JZ 2312 12	Guard Saree	1	--	--	
	PA 2312 02	Guard Saree	--	1	1	
7	KA DC08 55	Bolt Flange	1	1	1	
8	39 0296 15	Hexagon Nut	1	1	1	
9	KA CB10 40	Bolt Socket	1	1	1	
10	JZ 2314 03	Grab Handle	1	--	1	
	PA 2314 04	Grab Handle	--	1	1	Refer Ser. Cir. A-25
11	KA CA08 20	Bolt-Socket-KAC ST-A	4	4	4	Dia-08 L-20
12	JZ 2314 11	Foam RH For Grab	1	1	1	
13	JZ 2314 10	Foam LH For Grab	1	1	1	

# Kit List

*DISCO-125ST/T/100T*

Sr No	Kit Part No.	Kit Description	Consisting of Following Parts		
			Part No.	Description	Qty/Kit
1.	36JZ0077	Kit Assly C' Case LH - 125ST	JZ541021	Crankcase LH Exclusive Disco-H	1
			JA541036	Plug (Oil Control)	2
			JA541005	Bush Bendix	1
			JZ541005	Nozzle Oil Jet	1
			39256220	Needle Roller Brg.	1
2.	36JZ0078	Kit Assly C' Case RH- 125ST	JE541018	Crankcase RH (D102A)	1
			31101064	Plug	3
			JA541011	Needle Roller Bearing HK1212	1
			PF541018	Bushing Drum	1
3.	36JZ0074	Kit Block & Piston- 125ST	JE521208	Piston Assembly D102C	1
			JE521012	Cylinder Block D102C	1
4.	36JZ0079	Kit Assly Cyl Head- 125ST	JE511009	Cylinder Head Comp	1
			31101064	Plug	1
			39128321	O Ring	1
			39262921	O-Ring	1
			39166005	Stud M8X1.25X45L	2
5.	36JZ0075	Kit Assly Cl Cover - 125ST	JE541215	Cover Clutch D102A	1
			31101064	Plug	2
6.	36JZ0023	Kit Primary Drive + Driven	JZ531006	Gear Primary Drive	1
			PF551401	Clutch Hsg Assly Comp	1
7.	36JZ0080	Kit Chain Sprocket - 125ST	JZ551004	Sprocket Output 14T Disco-H	1
			JZ141001	Chain 126 Link 428 Series	1
			JZ141005	Sprocket Rear-45 T	1
8.	36JE0001	Kit Valve Repair- 125ST	39201719	Seal - Oil	2
			JD511203	Seat Valve Spring	2
			JD511204	Valve Spring	2
			JD511205	Retainer Valve Spring	2
			DG101029	Collet	4
9.	36JZ0083	Kit Steering Cone- 125ST	JZ151082	Bearing Cone Lower	1
			DH181026	Bearing Race	1

# Kit List

*DISCO-125ST/T/100T*

Sr No	Kit Part No.	Kit Description	Consisting of Following Parts		
			Part No.	Description	Qty/Kit
			DH181024	Upper Bearing Race	1
			DH181025	Bearing Cone	1
			36001052	Grease Lethon RR-3 -10Gm	1
			DJ181115	Cage Bearing Steering	2
11.	36JE0002	Kit Piston Ring- 125ST	JE521202	Top Ring Shriram	1
			JE521203	Second Ring Shriram	1
			JE521204	Oil Ring Shriram	1
12.	36JZ0099	Kit Friction Plate- 125ST	JE551406	Plate Friction D102C	5
13.	36JE0018	Kit Jet D125	NA	Jet Needle	1
			NA	Needle Jet	1
			NA	Je Holder	1
			NA	Main Jet	1
			DK121063	Pilot Jet	1
14.	Dk121041	Kit VC Screw D125	NA	Screw Adjuster VC	1
			DH121130	O- Ring Screw VC (Outside - Near The Head Of Vc Screw)	1
			DH121086	Spring Screw VC	1
			DH121087	Plain Washer	1
			DH121088	'O' - Ring Screw VC (Inside - At The Tip Of Air Screw)	1
15.	36JE0017	Kit Pilot Screw D125	NA	Screw Idling Adjustment	1
			DH121163	Plain Washer	1
			DH121077	Spring	1
16.	36JE0016	Kit Piston Valve D125	NA	Vacuum Piston Compl.	1
			DK121055	Diaphragm	1
			DK121054	Spring	1
17.	36JE0022	Kit Gasket/O-Ring-D125	DK121058	O Ring/Gasket Float Chamber	1
			DH121118	O-Ring - Drain Screw	1
			DH121088	O-Ring - Vc Screw	1
			DH121130	O-Ring - Vc Screw	1

# Kit List

*FISHER 125ST/T/100T*

Sr No	Kit Part No.	Kit Description	Consisting of Following Parts		
			Part No.	Description	Qty/Kit
18.	36JZ0098	Kit Boss Kick	JZ621202	Boss Kick Lever D102A	1
			JZ621203	Spring Kick Lever	1
			30101236	Ball -Steel	1
			22150241	Washer - plain	1
			30101235	Pin	1
			39085517	Circlip : E - type	1
19.	36JE0019	Kit Float Chamber Body	NA	Float Body	1
			DP121059	O-Ring	1
			JE581218	Drain Screw	1
			DP121067	Screw	2
			DH121118	O Ring Drain Screw	1
20.	36JE0020	Kit Top Cap	NA	Diaphragm Cover	1
			DH121176	Screw	2
21.	36JE0021	Kit Plunger Assly	NA	Screw	1
			DD121058	Spring	1
			NA	Plunger Assly	1
			NA	Guide Holder	1
			NA	O-Ring	1
			NA	Dust Cap	1
22.	36PA0094	Kit Valve Repair-D100 T	39201719	Seal Valve Stem	2
			PA511223	Valve Spring	2
			PA511210	Retainer Valve Spring	2
			DG101029	Cotter Valve	4
23.	36PA0095	Kit Chain Sprocket-D100 T	PA141002	Chain 126 Links 428 Series	1
			PA141008	Sprocket Rear Wheel 43T-68 PCD	1
			JZ551004	Sprocket Output 14T Disco-H	1
24.	36PA0098	Kit Chain Case Kit-D100 T	PA181228	Assembly Chain Case Upper	1
			PA181229	Assembly Chain Case Lower	1

# Kit List

*FISHER 125ST/T/100T*

Sr No	Kit Part No.	Kit Description	Consisting of Following Parts		
			Part No.	Description	Qty/Kit
25.	36PA0099	Kit Assly Clutch Cover-D100T	JB541207	Cover Clutch Star Type	1
			31101064	Plug	2
			JB541201	Jet Clutch Cover Disco M	1
			39104119	Seal Oil	1
			30101142	Seal Oil	1
26.	36PA0093	Kit Block-Piston-D100 T	PA521216	Piston Assembly	1
			PA521012	Block Cylinder	1
27.	36JZ0081	Kit Chain Guide-D100 T	JE521011	Guide Camchain (Tight Side)	1
			JE541014	Guide Camchain (Slack Side)	1
28.	36PA0003	Kit Piston Ring-D100 T	JB521207	Ring Piston (Top)	1
			JB521208	Ring Piston (Second)	1
			JB521209	Ring Piston Oil	1
29.	36JZ0028	Kit Assly C'Case LH-D100 T	39256220	Needle Roller Brg.	1
			JB541021	Crankcase LH	1
			JA541036	Plug (Oil Control)	1
			JZ541005	Nozzle Oil Jet	1
30.	36JZ0008	Kit Starter Clutch Repair	JA541005	Bush Bendix	1
			DH101163	Roller - Clutch	5
			DH101164	Spring - Starter Clutch	5
			DJ101109	Bush For Spring Starter Bush	5
			JA621411	Spring Starter Clutch	5
31.	36DK0017	Kit Hardware Rod Brake	30191038	Pin	1
			39021911	Washer - plain	1
			39080808	Pin - Split	1
			30191035	Spring	1
			15191026	Pin	1
			30191036	Nut - Brake Adjuster	1

# Kit List

*DISCO 125ST/T/100T*

Sr No	Kit Part No.	Kit Description	Consisting of Following Parts		
			Part No.	Description	Qty/Kit
32.	36PA0104	Kit Carb Jet 100T	PA581209	Jet Needle	1
			PA581210	Needle Jet	1
			PA581211	Holder Needle Jet	1
			PA581212	Jet Main # 95	1
			JB581263	Jet Comp #38	1
			PA581213	Screw Adjuster	1
			33.	36PA0105	Kit Carb Air Screw D100T
JB581244	Spring Compress Coil	1			
JB581245	Plain Washer	1			
JB581246	'O' Ring	1			
34.	36PA0106	Kit Carb Idling Screw D100T			
			JB581240	'O' Ring	1
			PA581215	Spring Compress	1
			35.	36PA0107	Kit Carb Throttle Valve D100T
PA581217	Bar Clip	1			
PA581218	Collar Magnet Holder	1			
PA581219	Spring Compress	1			
36.	36PA0108	Kit Carb Gasket & 'O' Ring D100T			
			JB581239	Top Gasket	1
			JB581240	'O' Ring	3
			JB581269	'O' Ring 24x26 (Eng Side)	1
			37.	36PA0096	Kit Assly Cyl Head -D100 4V
PA511236	Seat Valve Inlet	2			
PA511237	Seat Valve Exhaust	2			
JA511004	Guide Valve	4			
39262921	'O' ring	1			
39128321	'O' Ring	1			
38.	PA541011	Assembly Crankcase RH			
			JA541015	Stud Inhibitor Mounting	1
			59200036	Bearing - Ball	1

# Kit List

*DISCO 125ST/T/100T*

Sr No	Kit Part No.	Kit Description	Consisting of Following Parts					
			Part No.	Description	Qty/Kit			
			PA541012	Crankcase RH	1			
			DH101380	Screw - Pan : Pr-ecoated	1			
			JA541011	Needle Roller Bearing	1			
			JA541012	Guide Kick	1			
			31101064	Plug	1			
			PF541018	Bushing Drum 4 Speed	1			
			39196404	Bolt - Flanged : Small	2			
			JA541010	Stopper Plate Input Bearing	1			
			39.	36JB0020	Kit Mag Cover Star Type	JZ541210	Cover Magneto (self Start)	1
						JA541005	Bush Bendix	1
40.	36PA0113	Kit Chain Sprocket - 125 T	PA141001	Chain-126 Links 428 H Series	1			
			DS151072	Sprocket	1			
			JZ551004	Sprocket Output 14T Disco-H	1			
41.	36PA0114	Kit Chain Case - 125 T	PA181218	Assembly Chain Case Upper	1			
			PA181219	Assembly Chain Case Lower	1			
42.	36PA0115	Kit Guide Cam Chain - 125 T	JE541030	Guide Cam Chain Slack Side D102 TX	1			
			JE521019	Guide Cam Chain Tight D102C	1			
43.	36JE0024	Kit Friction Plate	JE551410	Friction Plate	5			

# Parts Index

*DISCOV 125ST/T/100T*

Part Number	Figure No.	Page No.	Part Number	Figure No.	Page No.
01 1009 05	12	18	30 1510 75	5	74
15 1610 69	2	108	30 1510 75	5	76
20 2010 29	20	114	30 1510 96	20	80
22 1502 41	14	26	30 1511 05	12	68
28 1012 14	9	32	30 1511 05	13	74
30 1010 96	5	32	30 1511 18	17	68
30 1011 42	18	28	30 1810 25	4	86
30 1011 95	3	30	30 1810 26	5	86
30 1012 36	8	58	30 1810 29	13	86
30 1410 31	4	56	30 1810 45	18	88
30 1410 31	4	58	30 1910 38	14	56
30 1410 31	3	98	30 1910 48	24	84
30 1410 39	20	98	30 2010 64	17	116
30 1510 05	17	76	31 1011 73	7	12
30 1510 11	15	74	31 1510 07	13	76
30 1510 32	3	68	31 2010 79	12	80
30 1510 33	3	66	31 2010 81	8	22
30 1510 33	1	68	36 0010 52	8	50
30 1510 35	21	68	36 DF18 01	6	86
30 1510 38	24	68	36 DJ40 31	14	70
30 1510 38	16	74	36 DJ40 32	7	72
30 1510 38	16	76	36 DJ40 33	8	72
30 1510 42	22	68	36 DK00 17	21	80
30 1510 69	11	68	36 DS 15 02	20	68
30 1510 69	14	74	36 JB00 20	1	30
30 1510 69	14	76	36 JE00 01	7	6

# Parts Index

*DISCOV 125ST/T/100T*

Part Number	Figure No.	Page No.	Part Number	Figure No.	Page No.
36 JE00 02	5	10	36 JZ00 92	11	92
36 JE00 16	2	34	36 JZ00 93	9	92
36 JE00 17	3	34	36 JZ00 94	11	92
36 JE00 18	4	34	36 JZ00 95	9	92
36 JE00 19	5	34	36 JZ00 96	11	92
36 JE00 20	6	34	36 JZ00 98	11	26
36 JE00 21	7	34	36 JZ00 99	6	32
36 JE00 22	8	34	36 JZ01 01	21	110
36 JE00 23	4	34	36 JZ01 07	9	86
36 JE00 24	6	32	36 PA00 03	5	10
36 JL00 15	16	58	36 PA00 93	1	10
36 JZ00 08	9	42	36 PA00 94	7	6
36 JZ00 23	3	32	36 PA00 95	2	76
36 JZ00 28	1	22	36 PA00 96	1	4
36 JZ00 74	1	10	36 PA00 97	1	40
36 JZ00 75	1	28	36 PA00 98	1	108
36 JZ00 77	1	22	36 PA00 99	1	28
36 JZ00 78	1	20	36 PA01 01	12	92
36 JZ00 79	1	4	36 PA01 02	12	92
36 JZ00 80	2	74	36 PA01 03	12	92
36 JZ00 81	9	8	36 PA01 04	2	36
36 JZ00 82	1	40	36 PA01 05	3	36
36 JZ00 83	4	50	36 PA01 06	4	36
36 JZ00 89	9	92	36 PA01 07	5	36
36 JZ00 90	11	92	36 PA01 08	6	36
36 JZ00 91	9	92	36 PA01 09	11	96

# Parts Index

*DISCOV 125ST/T/100T*

Part Number	Figure No.	Page No.	Part Number	Figure No.	Page No.
36 PA01 10	11	96	39 0292 15	3	80
36 PA01 11	11	96	39 0296 15	8	120
36 PA01 12	11	96	39 0326 15	8	60
36 PA01 13	2	76	39 0326 15	12	106
36 PA01 14	1	108	39 0375 11	6	110
36 PA01 15	9	8	39 0422 15	9	62
36 PA01 16	1	40	39 0454 11	13	52
36 PA01 17	9	96	39 0454 11	11	54
36 PA01 18	9	96	39 0553 02	12	52
36 PA01 19	9	96	39 0553 02	10	54
36 PA01 20	9	96	39 0594 17	2	8
36 PA01 47	1	40	39 0694 15	19	80
36 PA01 48	12	92	39 0711 11	3	102
36 PA01 49	12	92	39 0738 17	3	26
36 PA01 50	12	92	39 0740 11	12	98
36 PA01 51	12	92	39 0747 01	10	22
39 0044 01	1	114	39 0761 01	4	98
39 0198 11	15	56	39 0784 08	6	56
39 0198 11	10	80	39 0784 08	6	58
39 0219 11	8	106	39 0789 12	17	80
39 0219 11	1	110	39 0789 12	20	88
39 0242 11	6	60	39 0797 08	6	62
39 0242 11	11	106	39 0808 08	6	18
39 0291 15	9	102	39 0808 08	16	56
39 0292 15	17	52	39 0808 08	11	80
39 0292 15	18	54	39 0817 15	14	18

# Parts Index

*DISCOV 125ST/T/100T*

Part Number	Figure No.	Page No.	Part Number	Figure No.	Page No.
39 0840 01	15	68	39 1540 11	18	80
39 0849 14	10	42	39 1552 04	2	102
39 0900 12	16	68	39 1561 21	19	28
39 0956 15	15	110	39 1660 05	6	4
39 0980 04	10	32	39 1671 21	6	28
39 0987 17	4	14	39 1673 04	19	44
39 0992 06	7	16	39 1675 04	5	44
39 0993 11	6	26	39 1680 04	9	106
39 0999 06	11	22	39 1683 04	12	110
39 0999 06	4	24	39 1714 04	3	82
39 0999 06	6	30	39 1714 04	16	110
39 1000 06	2	10	39 1715 19	3	22
39 1001 20	14	32	39 1759 04	12	22
39 1013 21	19	68	39 1765 11	18	110
39 1040 11	5	56	39 1778 02	5	110
39 1040 11	5	58	39 1789 24	8	100
39 1041 19	10	28	39 1791 04	8	56
39 1063 01	3	80	39 1792 11	17	110
39 1181 01	21	88	39 1864 20	2	12
39 1225 15	5	112	39 1902 04	3	46
39 1283 21	4	4	39 1907 01	2	110
39 1309 11	20	44	39 1907 01	7	110
39 1358 15	7	54	39 1907 01	6	114
39 1501 11	2	114	39 1912 04	21	84
39 1507 11	2	116	39 1940 04	6	48
39 1537 21	5	80	39 1943 04	11	100

# Parts Index

*FISHER 125ST/T/100T*

Part Number	Figure No.	Page No.	Part Number	Figure No.	Page No.
39 1943 04	20	110	39 2484 15	10	114
39 1949 04	9	38	39 2492 11	9	40
39 1949 04	18	44	39 2498 04	4	48
39 1951 04	1	100	39 2498 04	5	120
39 1964 04	9	20	39 2539 21	8	4
39 1970 15	2	48	39 2553 04	2	120
39 1970 15	3	116	39 2562 20	4	22
39 1970 15	3	120	39 2600 11	3	32
39 1981 04	22	14	39 2608 01	3	4
39 2017 19	3	6	39 2629 21	5	4
39 2124 15	15	114	39 2659 12	19	56
39 2141 24	9	110	39 2669 21	14	8
39 2179 24	2	98	39 2671 04	13	56
39 2190 19	6	22	39 2686 20	3	74
39 2204 04	10	38	39 2687 20	4	74
39 2240 20	8	74	39 2688 20	1	66
39 2240 20	8	76	39 2688 20	2	68
39 2249 15	18	84	39 2688 20	3	76
39 2310 04	18	56	39 2704 11	20	18
39 2408 17	8	26	39 2723 15	8	48
39 2420 01	7	60	39 2726 12	2	54
39 2420 01	10	106	39 2758 21	5	98
39 2424 11	2	100	52 JA00 27	10	20
39 2453 04	2	18	52 JZ02 64	1	18
39 2476 04	16	114	59 0400 06	12	86
39 2484 15	6	98	59 0400 14	16	44

# Parts Index

*FISHER 125ST/T/100T*

Part Number	Figure No.	Page No.	Part Number	Figure No.	Page No.
59 0400 19	2	60	DD 1110 18	17	44
59 0400 31	7	8	DD 1211 81	8	28
59 0400 38	2	2	DD 1410 22	13	98
59 0400 38	11	22	DD 1810 90	15	86
59 0400 38	4	28	DD 1810 91	17	88
59 0400 38	10	30	DD 2010 02	9	114
59 0400 50	6	2	DD 2011 70	28	84
59 1100 08	4	12	DE 1510 06	2	66
59 1200 03	3	12	DE 1510 08	5	66
59 1500 03	12	66	DE 1510 12	4	66
59 1500 03	14	68	DE 1510 46	2	72
59 1500 03	23	76	DE 1510 47	3	72
59 1500 14	2	12	DE 1510 48	5	72
59 2000 36	4	20	DE 1910 35	4	70
59 2000 36	2	22	DF 1611 02	1	62
59 2100 23	16	22	DF 1810 88	14	86
59 2100 24	19	14	DG 1010 29	4	6
60 1114 17	18	116	DG 1013 39	21	18
AA 1210 71	12	4	DG 1014 18	12	28
CF 1110 19	17	44	DG 1210 25	6	38
CL 2010 23	14	110	DG 1611 21	7	100
CS 1011 28	11	8	DG 1710 17	9	52
DD 1010 48	11	44	DG 1710 18	5	52
DD 1010 97	12	26	DG 1710 19	6	52
DD 1110 11	12	44	DH 1010 48	6	8
DD 1110 12	10	44	DH 1012 64	9	22

# Parts Index

*FISHER 125ST/T/100T*

Part Number	Figure No.	Page No.	Part Number	Figure No.	Page No.
DH 1013 01	6	40	DJ 1510 42	15	80
DH 1013 80	6	20	DJ 1510 47	17	54
DH 1013 80	7	44	DJ 1610 69	4	60
DH 1013 82	7	42	DJ 1610 72	17	114
DH 1013 92	10	8	DJ 1612 28	11	30
DH 1013 95	5	40	DJ 1612 29	9	100
DH 1015 09	13	18	DJ 1612 29	19	110
DH 1017 81	8	42	DJ 1612 29	8	114
DH 1110 13	15	44	DJ 1612 78	14	58
DH 1110 15	13	44	DJ 1710 33	23	76
DH 1210 38	11	38	DJ 1810 42	17	88
DH 1210 41	15	34	DJ 1810 43	15	86
DH 1210 59	11	34	DJ 1810 85	18	88
DH 1210 63	14	34	DJ 1811 15	5	50
DH 1210 64	12	34	DJ 1910 06	1	70
DH 1210 93	13	34	DJ 1910 25	10	70
DH 1211 76	18	34	DJ 1910 26	11	70
DH 1510 29	16	80	DJ 1910 27	15	70
DH 1611 57	14	58	DJ 1910 29	2	70
DH 1611 58	12	60	DJ 1910 30	3	70
DH 1611 94	17	56	DJ 1910 31	5	70
DH 1612 33	2	46	DJ 1910 34	6	70
DH 1710 19	23	74	DJ 1910 35	7	70
DJ 1410 08	4	100	DJ 1910 55	7	82
DJ 1510 36	15	54	DJ 1910 58	8	70
DJ 1510 37	16	54	DJ 2011 09	9	70

# Parts Index

*FISHER 125ST/T/100T*

Part Number	Figure No.	Page No.	Part Number	Figure No.	Page No.
DJ 2011 73	10	60	DS 1410 12	17	98
DJ 2012 19	5	116	DS 1410 12	5	100
DJ 2210 19	1	118	DS 1510 10	17	82
DK 1210 41	9	34	DS 1510 25	15	80
DK 1410 41	18	98	DS 1510 48	2	64
DK 1510 94	6	74	DS 1510 49	3	64
DK 1510 94	6	76	DS 1510 52	5	64
DK 1710 06	7	52	DS 1510 53	6	64
DK 2010 49	7	50	DS 1510 68	7	76
DK 2210 24	2	118	DS 1510 73	10	74
DL 1610 15	14	114	DS 1510 87	8	68
DM 1510 25	2	64	DS 1510 89	10	68
DM 1510 28	5	64	DS 1510 90	17	74
DP 1011 65	6	10	DS 1510 91	9	68
DP 1012 69	9	28	DS 1510 92	6	68
DP 1210 18	20	34	DS 1510 94	7	68
DP 1210 59	19	34	DS 1510 94	20	74
DP 1210 67	17	34	DS 1510 94	20	76
DP 1611 45	18	114	DS 1510 95	5	68
DP 1710 06	8	54	DS 1611 25	3	60
DS 1011 17	4	26	DS 1612 24	15	60
DS 1011 54	8	12	DS 1612 24	2	106
DS 1012 15	11	28	DS 1612 24	10	116
DS 1012 76	5	8	DS 1810 07	14	82
DS 1099 05	8	8	DS 1810 12	12	86
DS 1211 26	7	38	DS 1810 15	22	88

# Parts Index

*DISCOV 125ST/T/100T*

Part Number	Figure No.	Page No.	Part Number	Figure No.	Page No.
DS 1810 16	23	88	JA 5112 16	4	8
DS 1910 52	8	82	JA 5210 17	12	8
DS 1910 54	4	104	JA 5210 18	3	8
DS 2010 25	6	116	JA 5210 19	13	8
DS 2010 81	12	116	JA 5210 19	5	28
DS 2110 07	4	46	JA 5310 07	15	32
DU 1012 13	21	14	JA 5310 12	9	12
DU 1611 02	6	100	JA 5310 15	6	12
DX 1510 14	16	54	JA 5410 05	5	22
DX 1510 15	27	78	JA 5410 05	7	30
DX 1510 22	25	74	JA 5410 10	5	20
DX 1610 52	4	108	JA 5410 11	3	20
DX 1910 01	20	84	JA 5410 12	8	20
DX 1910 09	25	84	JA 5410 14	7	20
DZ 1410 75	21	98	JA 5410 16	3	24
FD 1010 78	2	24	JA 5410 21	15	22
GF 1611 43	3	58	JA 5410 27	7	22
GH 2010 12	2	112	JA 5410 28	6	44
JA 1134 03	7	48	JA 5410 34	10	22
JA 1134 04	3	48	JA 5410 44	4	30
JA 1134 04	4	120	JA 5412 05	8	30
JA 1316 06	18	68	JA 5412 11	14	28
JA 3516 00	4	42	JA 5412 12	15	28
JA 5110 08	5	2	JA 5412 25	13	28
JA 5110 28	6	4	JA 5412 33	2	30
JA 5112 11	6	6	JA 5412 35	11	20

# Parts Index

*DISCOV 125ST/T/100T*

Part Number	Figure No.	Page No.	Part Number	Figure No.	Page No.
JA 5412 36	16	28	JB 1310 22	13	68
JA 5412 37	17	28	JB 1312 23	15	76
JA 5510 02	3	14	JB 1312 24	19	74
JA 5510 04	8	14	JB 1312 24	19	76
JA 5510 08	17	14	JB 1312 25	21	76
JA 5510 09	18	14	JB 1812 39	3	108
JA 5514 06	2	32	JB 2312 08	15	60
JA 5514 20	12	32	JB 3510 14	1	44
JA 5612 09	19	18	JB 3510 22	2	44
JA 5814 06	10	4	JB 4014 00	5	82
JA 5910 40	2	40	JB 4022 02	7	10
JA 6210 02	5	26	JB 5110 18	2	4
JA 6210 06	2	26	JB 5110 19	7	4
JA 6212 06	13	26	JB 5310 21	10	12
JA 6214 02	1	42	JB 5514 08	4	32
JA 6214 06	2	42	JB 5514 11	7	32
JA 6214 10	3	42	JB 5514 12	8	32
JA 6214 14	6	42	JB 5710 05	1	24
JB 1220 09	1	54	JB 5710 06	5	24
JB 1220 10	4	54	JB 5812 02	17	36
JB 1220 11	3	54	JB 5812 04	18	36
JB 1220 16	6	54	JB 5812 29	7	36
JB 1310 17	10	66	JB 5812 30	8	36
JB 1310 17	4	68	JB 5812 32	10	36
JB 1310 18	11	66	JB 5812 37	12	36
JB 1310 18	13	68	JB 5812 47	15	36

# Parts Index

*DISCOV 125ST/T/100T*

Part Number	Figure No.	Page No.	Part Number	Figure No.	Page No.
JB 5812 48	16	36	JD 5514 00	11	32
JB 5812 55	14	36	JD 5610 02	5	16
JB 5812 56	9	36	JD 5610 04	3	16
JB 5812 58	13	36	JD 5610 06	2	16
JB 5812 60	11	36	JD 5610 11	6	16
JC 1410 15	4	102	JD 5612 03	17	18
JC 1410 16	5	102	JD 5612 04	18	18
JD 1110 52	9	98	JD 5614 16	7	18
JD 1110 52	3	100	JE 3510 02	1	44
JD 1130 19	2	58	JE 3510 04	1	44
JD 1312 10	24	74	JE 3510 05	2	44
JD 1312 12	26	74	JE 3512 06	3	44
JD 1410 03	1	74	JE 3512 07	3	44
JD 1410 03	1	76	JE 5010 06	1	20
JD 1610 02	6	80	JE 5010 17	1	20
JD 1610 06	7	80	JE 5112 00	1	6
JD 3512 06	14	44	JE 5112 01	2	6
JD 4010 07	11	114	JE 5112 04	5	6
JD 4018 03	13	116	JE 5112 06	1	8
JD 5110 04	2	4	JE 5112 30	8	8
JD 5110 08	7	4	JE 5210 16	12	8
JD 5110 10	3	2	JE 5310 01	2	12
JD 5112 09	6	6	JE 5310 08	1	12
JD 5210 02	3	10	JE 5410 08	9	26
JD 5310 04	5	12	JE 5412 30	5	30
JD 5410 00	7	22	JE 5412 31	6	28

# Parts Index

*DISCOV 125ST/T/100T*

Part Number	Figure No.	Page No.	Part Number	Figure No.	Page No.
JE 5412 33	1	30	JL 4016 00	1	116
JE 5412 47	9	30	JL 5614 09	11	18
JE 5512 09	5	14	JL 5614 10	10	18
JE 551210	13	14	JM 1910 14	13	80
JE 5514 09	13	32	JN 1310 03	8	66
JE 5610 03	1	16	JN 1312 03	7	74
JE 5812 13	10	34	JN 1812 11	14	66
JE 5812 18	16	34	JN 3516 04	4	116
JE 5812 23	14	34	JP 3510 07	2	44
JE 5812 31	1	34	JU 2328 00	3	114
JE 5812 37	21	34	JV 4022 05	15	116
JE 5812 38	1	34	JW 1318 01	1	72
JE 5910 02	3	40	JW 1318 05	12	70
JE 6210 01	1	26	JW 1318 07	6	72
JG 1812 38	7	102	JW 1510 23	9	86
JG 5710 24	13	22	JW 1610 17	6	100
JG 6012 10	8	38	JW 1812 41	13	66
JK 1210 07	7	86	JW 3514 00	4	10
JK 1210 09	8	86	JW 5410 00	3	28
JL 1130 28	7	56	JW 5410 05	2	28
JL 1130 28	9	58	JW 5612 06	15	18
JL 1318 07	4	72	JW 5612 08	16	18
JL 1710 60	15	98	JW 5910 30	7	40
JL 1718 03	14	98	JZ 1110 38	1	50
JL 1812 19	10	100	JZ 1130 20	20	56
JL 1812 25	14	52	JZ 1130 21	9	56

# Parts Index

*FISHER 125ST/T/100T*

Part Number	Figure No.	Page No.	Part Number	Figure No.	Page No.
JZ 1130 23	10	58	JZ 1210 27	1	86
JZ 1130 26	12	58	JZ 1210 30	2	86
JZ 1130 27	10	56	JZ 1210 31	3	86
JZ 1130 28	1	56	JZ 1210 40	10	86
JZ 1130 31	1	58	JZ 1220 01	3	52
JZ 1130 32	11	58	JZ 1220 03	1	52
JZ 1130 35	11	56	JZ 1220 05	11	52
JZ 1130 35	15	58	JZ 1220 08	15	52
JZ 1130 36	2	56	JZ 1220 10	4	52
JZ 1130 39	3	56	JZ 1220 11	8	52
JZ 1130 42	13	58	JZ 1220 12	16	52
JZ 1132 03	2	62	JZ 1310 26	1	64
JZ 1132 04	7	62	JZ 1310 28	1	64
JZ 1132 06	3	62	JZ 1312 17	21	74
JZ 1132 07	4	62	JZ 1312 24	4	64
JZ 1132 09	5	62	JZ 1316 01	9	66
JZ 1132 10	8	62	JZ 1318 03	18	74
JZ 1132 11	8	62	JZ 1318 10	8	80
JZ 1132 12	5	62	JZ 1318 11	26	78
JZ 1132 14	4	62	JZ 1318 13	9	74
JZ 1134 10	5	48	JZ 1318 18	6	66
JZ 1134 11	9	48	JZ 1318 75	9	80
JZ 1134 26	1	48	JZ 1318 80	24	88
JZ 1138 05	2	50	JZ 1510 45	15	82
JZ 1138 06	10	52	JZ 1510 47	16	86
JZ 1210 15	19	88	JZ 1510 47	11	110

# Parts Index

*FISHER 125ST/T/100T*

Part Number	Figure No.	Page No.	Part Number	Figure No.	Page No.
JZ 1510 64	9	82	JZ 1810 07	4	82
JZ 1510 65	19	84	JZ 1810 09	5	106
JZ 1510 69	10	82	JZ 1810 12	13	82
JZ 1510 70	2	82	JZ 1810 13	12	82
JZ 1510 78	15	82	JZ 1812 14	1	106
JZ 1510 79	16	82	JZ 1812 37	8	110
JZ 1510 80	25	88	JZ 1812 60	6	112
JZ 1510 83	6	50	JZ 1812 61	7	112
JZ 1510 84	3	50	JZ 1812 69	14	100
JZ 1510 91	25	88	JZ 1812 70	13	100
JZ 1610 09	1	80	JZ 1812 71	16	100
JZ 1610 11	4	80	JZ 1812 99	5	114
JZ 1610 19	2	80	JZ 1814 15	1	60
JZ 1610 23	6	82	JZ 1814 16	5	60
JZ 1610 24	12	56	JZ 1814 19	9	60
JZ 1612 07	2	104	JZ 1814 20	3	106
JZ 1612 08	3	104	JZ 1814 21	4	106
JZ 1612 10	1	104	JZ 1910 00	1	46
JZ 1612 17	7	46	JZ 1910 10	5	46
JZ 1710 04	1	98	JZ 1910 11	6	46
JZ 1710 17	8	98	JZ 2312 11	1	120
JZ 1718 07	10	98	JZ 2312 12	6	120
JZ 1718 17	16	98	JZ 2314 03	10	120
JZ 1718 18	19	98	JZ 2314 10	13	120
JZ 1718 29	11	98	JZ 2314 11	12	120
JZ 1810 04	22	110	JZ 2316 00	22	84

# Parts Index

*DISCO 125ST/T/100T*

Part Number	Figure No.	Page No.	Part Number	Figure No.	Page No.
JZ 2316 01	23	84	JZ 5412 26	9	30
JZ 2326 00	27	84	JZ 5510 04	20	14
JZ 2328 05	19	114	JZ 5510 08	9	14
JZ 2331 77	8	92	JZ 5510 10	1	14
JZ 2331 77	8	94	JZ 5512 00	7	14
JZ 2331 78	7	92	JZ 5512 02	2	14
JZ 3512 11	8	44	JZ 5512 04	16	14
JZ 3512 13	9	44	JZ 5512 05	15	14
JZ 4010 13	7	116	JZ 5512 06	10	14
JZ 4010 29	13	110	JZ 5512 10	11	14
JZ 4010 38	1	112	JZ 5512 11	12	14
JZ 4010 39	4	112	JZ 5512 13	6	14
JZ 4010 42	12	114	JZ 551208	14	14
JZ 4010 43	4	110	JZ 5514 13	1	32
JZ 4010 46	21	114	JZ 5514 15	9	32
JZ 4014 00	26	84	JZ 5610 02	4	16
JZ 4014 03	9	82	JZ 5612 01	3	18
JZ 4018 03	9	116	JZ 5614 02	9	18
JZ 4018 04	11	116	JZ 5614 04	5	18
JZ 4018 09	8	116	JZ 5614 05	8	18
JZ 4020 00	4	44	JZ 5614 07	4	18
JZ 4022 14	14	116	JZ 5710 00	1	24
JZ 4022 17	16	116	JZ 5710 01	5	24
JZ 4026 00	7	98	JZ 5810 20	1	38
JZ 5110 21	1	2	JZ 5810 25	5	38
JZ 5412 14	7	28	JZ 5810 26	4	38

# Parts Index

*DISCO 125ST/T/100T*

Part Number	Figure No.	Page No.	Part Number	Figure No.	Page No.
JZ 5810 32	3	38	JZ 7404 3F	2	94
JZ 5810 40	1	38	JZ 7404 5R	2	94
JZ 5812 29	11	4	KA CA08 20	11	120
JZ 5812 38	11	4	KA CB10 40	9	120
JZ 5814 05	9	4	KA DA05 10	8	40
JZ 5910 95	4	40	KA DA06 18	2	38
JZ 6210 00	7	26	KA DC08 55	7	120
JZ 6212 00	10	26	KB UA05 45	13	114
JZ 7205 1R	5	90	KP BB62 01	4	76
JZ 7206 1R	6	92	KP BB63 01	1	66
JZ 7305 3B	4	90	LA C000 02	7	66
JZ 7305 3C	4	90	LA C000 05	10	58
JZ 7305 3F	4	90	LA C000 13	4	114
JZ 7305 5R	4	90	LA C000 19	2	52
JZ 7306 3F	3	90	LA C000 31	11	82
JZ 7306 3F	3	94	LA C000 52	5	44
JZ 7306 5J	3	90	LA D000 11	13	4
JZ 7306 5J	3	94	LA D000 11	5	42
JZ 7306 5R	3	90	LA D000 37	13	70
JZ 7306 5R	3	94	LA D000 48	10	48
JZ 7403 3B	2	90	LA D000 82	6	106
JZ 7403 3C	2	90	LA E000 01	7	106
JZ 7403 3F	2	90	LA E000 22	11	60
JZ 7403 5R	2	90	LB D000 01	23	68
JZ 7404 3B	2	94	LB U000 04	15	66
JZ 7404 3C	2	94	LB U000 05	16	66

# Parts Index

*DISCOV 125ST/T/100T*

Part Number	Figure No.	Page No.	Part Number	Figure No.	Page No.
LB U000 07	15	100	PA 1134 00	9	48
LC A000 01	28	78	PA 1134 02	9	48
LC A000 05	3	112	PA 1210 12	1	86
LC B000 05	12	74	PA 1210 15	2	86
LC L000 03	12	76	PA 1210 16	3	86
LD A000 18	12	100	PA 1210 17	11	86
LD B000 01	22	74	PA 1220 09	5	54
LD B000 07	8	102	PA 1220 10	14	54
LD B000 28	22	76	PA 1220 13	14	54
LD B000 29	27	78	PA 1220 14	12	54
LD B000 30	22	76	PA 1220 15	13	54
LJ A000 04	14	22	PA 1312 08	7	76
LJ A000 11	14	4	PA 1312 15	4	64
PA 1110 29	1	50	PA 1312 16	24	78
PA 1110 30	9	54	PA 1312 17	25	78
PA 1130 30	20	56	PA 1312 21	24	78
PA 1130 42	7	58	PA 1312 23	11	76
PA 1130 43	7	58	PA 1312 24	11	76
PA 1130 48	10	58	PA 1312 61	10	76
PA 1130 49	12	58	PA 1312 63	6	76
PA 1130 51	10	56	PA 1316 05	26	78
PA 1130 53	1	56	PA 1318 09	18	76
PA 1130 55	1	58	PA 1318 28	8	80
PA 1130 57	11	58	PA 1318 31	9	76
PA 1132 04	3	62	PA 1318 32	22	114
PA 1132 06	2	62	PA 1510 05	16	86

# Parts Index

*DISCOV 125ST/T/100T*

Part Number	Figure No.	Page No.	Part Number	Figure No.	Page No.
PA 1510 05	11	110	PA 2331 09	10	92
PA 1610 01	1	80	PA 2331 17	10	92
PA 1612 00	2	104	PA 2331 83	10	96
PA 1612 04	3	104	PA 2331 93	10	96
PA 1612 05	7	46	PA 2332 03	10	96
PA 1810 00	12	82	PA 2332 13	10	96
PA 1810 01	4	82	PA 2332 26	7	94
PA 1810 02	13	82	PA 3510 01	1	44
PA 1812 26	1	102	PA 3510 03	2	44
PA 1812 27	3	110	PA 3512 06	3	44
PA 1812 32	17	100	PA 4010 09	7	114
PA 1812 33	18	100	PA 4014 00	6	82
PA 1812 34	19	100	PA 4014 01	9	82
PA 1812 35	20	100	PA 4014 05	1	82
PA 1812 46	10	110	PA 4018 04	11	116
PA 1813 00	5	114	PA 4018 05	19	116
PA 1814 00	9	60	PA 4022 16	14	116
PA 1814 03	14	60	PA 4022 24	16	116
PA 1814 05	1	60	PA 4022 26	20	116
PA 1822 00	23	110	PA 4024 22	6	102
PA 1822 01	24	110	PA 4024 24	17	102
PA 1910 00	1	46	PA 4024 25	16	102
PA 2312 02	6	120	PA 4024 26	15	102
PA 2314 04	10	120	PA 4024 27	13	102
PA 2330 94	10	92	PA 4024 28	12	102
PA 2331 01	10	92	PA 4024 29	14	102

# Parts Index

*DISCO 125ST/T/100T*

Part Number	Figure No.	Page No.	Part Number	Figure No.	Page No.
PA 4024 31	11	102	PA 7102 3C	1	90
PA 4024 32	10	102	PA 7102 3F	1	90
PA 5010 07	1	20	PA 7102 5R	1	90
PA 5110 39	4	2	PA 7103 3B	1	94
PA 5110 54	10	6	PA 7103 3C	1	94
PA 5110 55	11	6	PA 7103 3F	1	94
PA 5112 15	1	8	PA 7103 5R	1	94
PA 5112 28	1	6	PA 7202 1E	5	94
PA 5112 29	2	6	PA 7203 1E	6	94
PA 5112 32	8	6	PA 7502 3B	4	90
PA 5112 34	9	6	PA 7502 3C	4	90
PA 5212 14	6	10	PA 7502 3F	4	90
PA 5310 21	1	12	PA 7502 5R	4	90
PA 5410 11	1	20	PA 7503 3B	4	94
PA 5412 09	9	30	PA 7503 3C	4	94
PA 5412 10	11	30	PA 7503 3F	4	94
PA 5514 04	1	32	PA 7503 5R	4	94
PA 5514 05	9	28	PA 7505 3B	4	90
PA 5610 02	1	16	PA 7505 3C	4	90
PA 5614 02	9	18	PA 7505 3F	4	90
PA 5810 02	1	38	PA 7505 5R	4	90
PA 5810 33	12	38	PF 1210 28	14	86
PA 5812 05	11	4	PF 1312 20	11	74
PA 5812 08	1	36	PF 5410 18	2	20
PA 5814 03	9	4	YJ Z080 04	11	102
PA 7102 3B	1	90	YJ Z080 06	12	102

# Parts Index

*DISCO 125ST/T/100T*

Part Number	Figure No.	Page No.	Part Number	Figure No.	Page No.
YJ Z080 07	13	102			
YJ Z080 03	15	102			
YJ Z080 02	16	102			
YJ Z080 01	17	102			
YJ Z080 05	18	102			